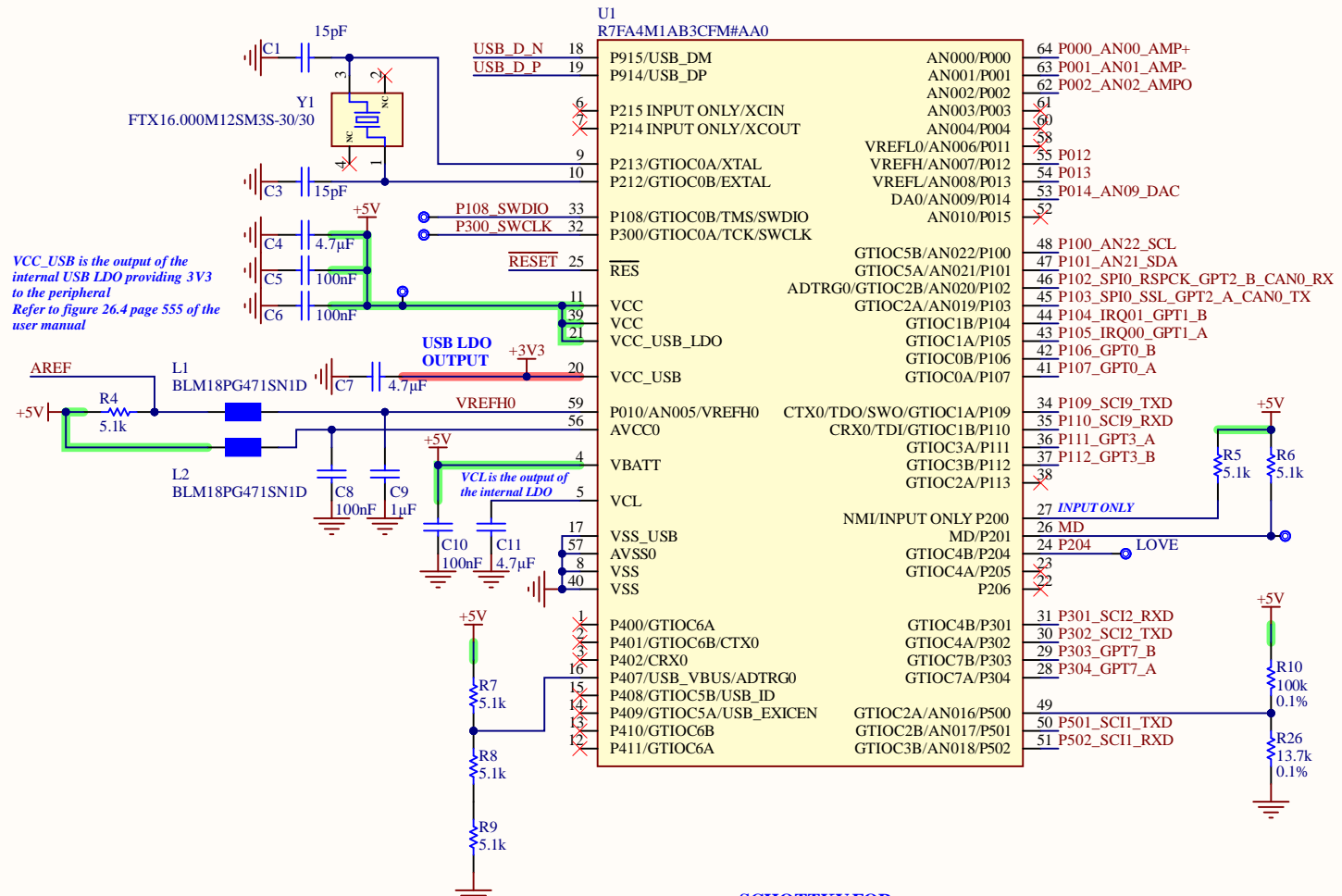
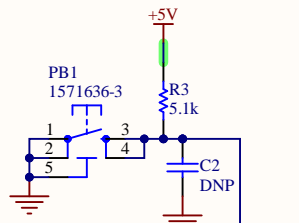


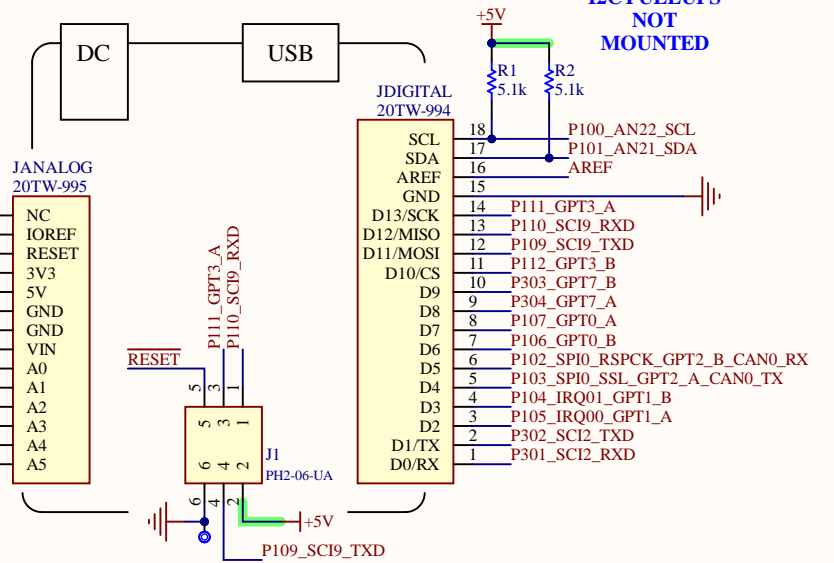
MICROCONTROLLER



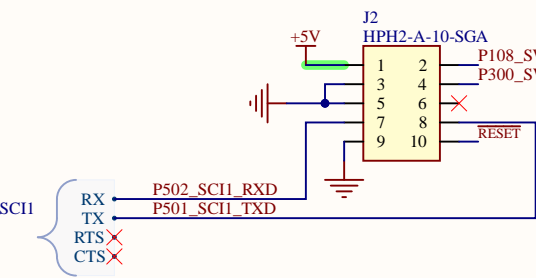
RESET PUSHBUTTON



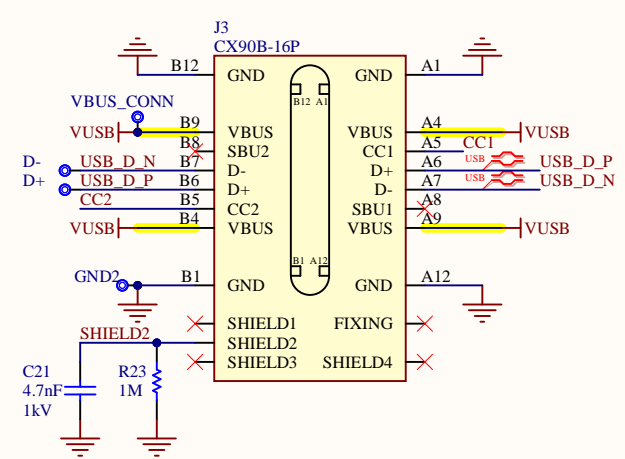
HEADERS



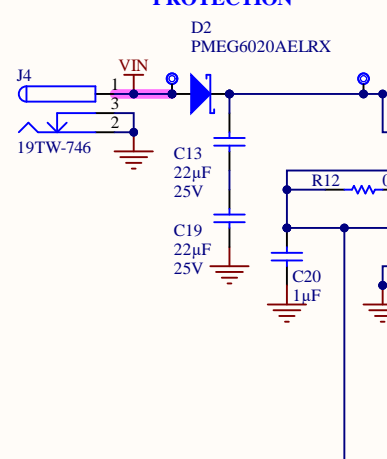
SWD CONNECTOR



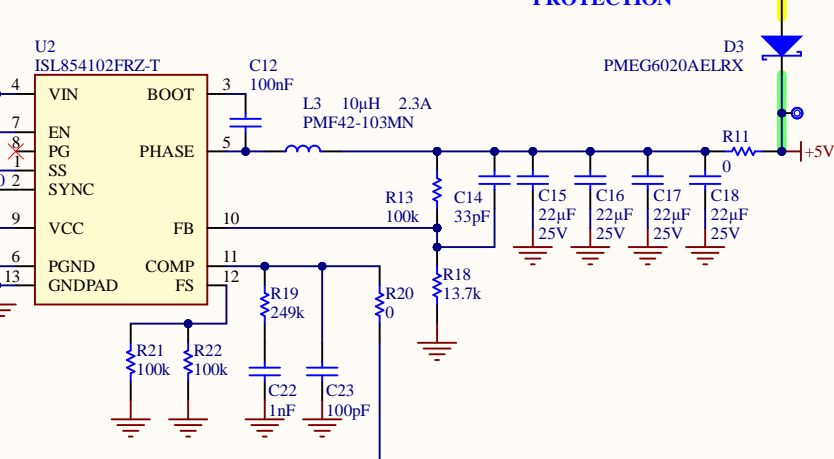
USB CONNECTOR



DC JACK



BUCK CONVERTER

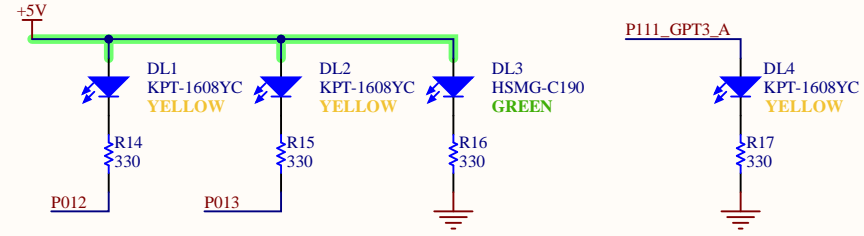


TX LED

RX LED

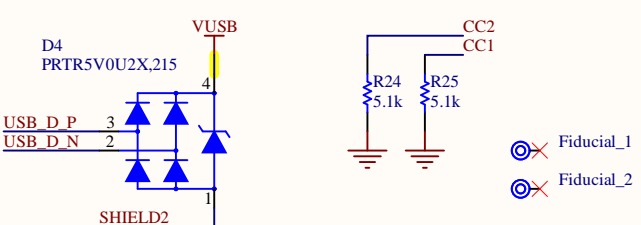
POWER LED

SCK LED



ESD PROTECTION

CC RESISTORS



Reference Designs ARE PROVIDED "AS IS" AND "WITH ALL FAULTS. Arduino SA DISCLAIMS ALL OTHER WARRANTIES, EXPRESS OR IMPLIED, REGARDING PRODUCTS, INCLUDING BUT NOT LIMITED TO, ANY IMPLIED WARRANTIES OF MERCHANTABILITY OR FITNESS FOR A PARTICULAR PURPOSE.
 Arduino SA may make changes to specifications and product descriptions at any time, without notice. The Customer must not rely on the absence or characteristics of any features or instructions marked "reserved" or "undefined".
 Arduino SA reserves these for future definition and shall have no responsibility whatsoever for conflicts or incompatibilities arising from future changes to them. The product information on the Web Site or Materials is subject to change without notice.
 Do not finalize a design with this info. ARDUINO and other Arduino brands and logos and Trademarks of Arduino SA. All Arduino SA Trademarks cannot be used without owner's formal permission.

Title: UNO R4 MINIMA				
ID: ABX00080	Version: V1.0	Sheet 1 of 1		RevAuthor: Silvio Navaretti
Date: 4/24/2023	Time: 3:04:30 PM	Author: Silvio Navaretti	RevAuthor: Silvio Navaretti	
File: TOP.SchDoc				