

OKdo multi-head power supply



STOCK NUMBER:

2023769

1. General

The OKdo fixed head OD5.5 power supplies are ideal for powering the latest SBCs in the market like the Raspberry Pi 4 and NVIDIA Jetson Nano 2GB.

Rated for 15 W in a small formfactor, this power supply has in addition to short circuit, over current and over voltage protection also come with over temperature protection for your peace of mind.

2. Features

Output :

Output voltage range :	5 VDC
Minimum load current :	0A
Nominal load current :	4.0A
Maximum power :	20W
Load regulation :	4.8-5.2V
Line regulation :	±5%
Ripple & noise:	≤120mVp-p
Rise time:	100ms Max. At 100Vac input and output Max. Load
Turn-on delay:	5 second Max .At 100Vac input and output Max. Load
Protection:	Short circuit protection Overcurrent protection Over temperature protection
Efficiency:	83.08% minimum
Output cable:	1.5meter long, customization is available upon request

Input:

Voltage range:	100 ~ 240Vac (rated) 90 ~ 264Vac (operating)
Frequency:	50/60Hz
Current:	1.5A maximum
Power consumption (no load):	0.1W maximum
Inrush current:	60 A mps Max Cold start at 240Vac input ,with rated load and 25 °C ambient.
AC leakage current :	0.25mA Max .At 240Vac input

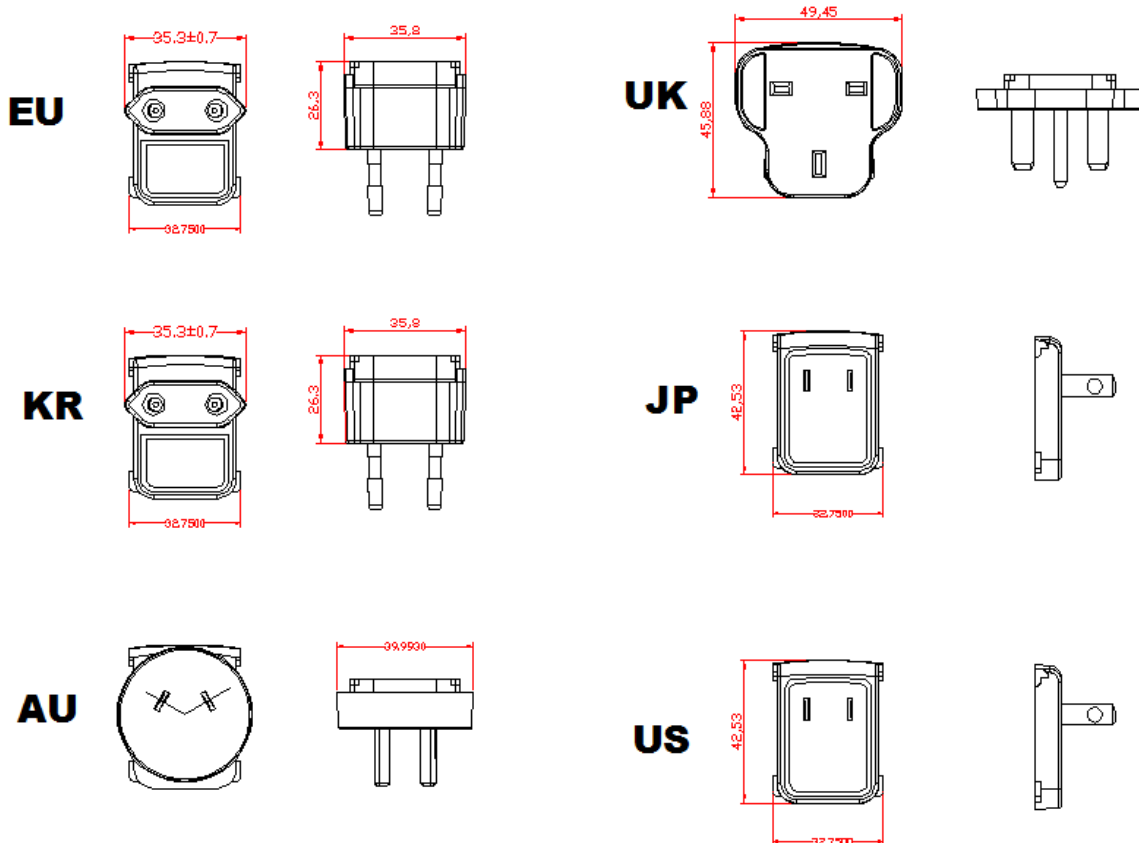
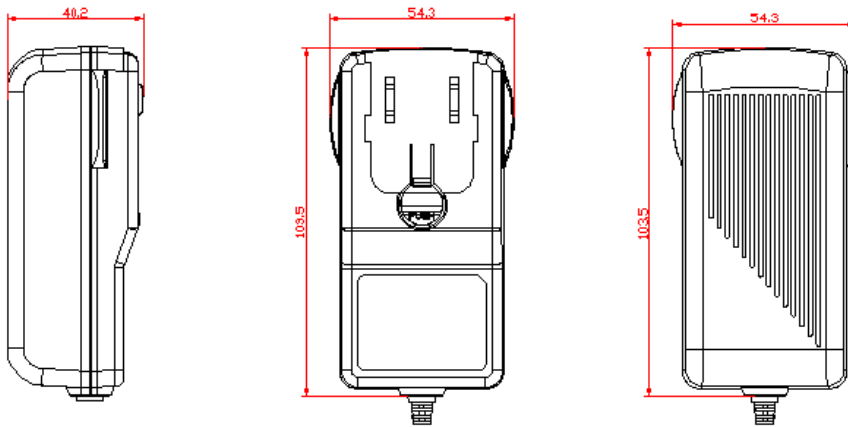
AC plug type : EURO / UK / US / AU

Environment :

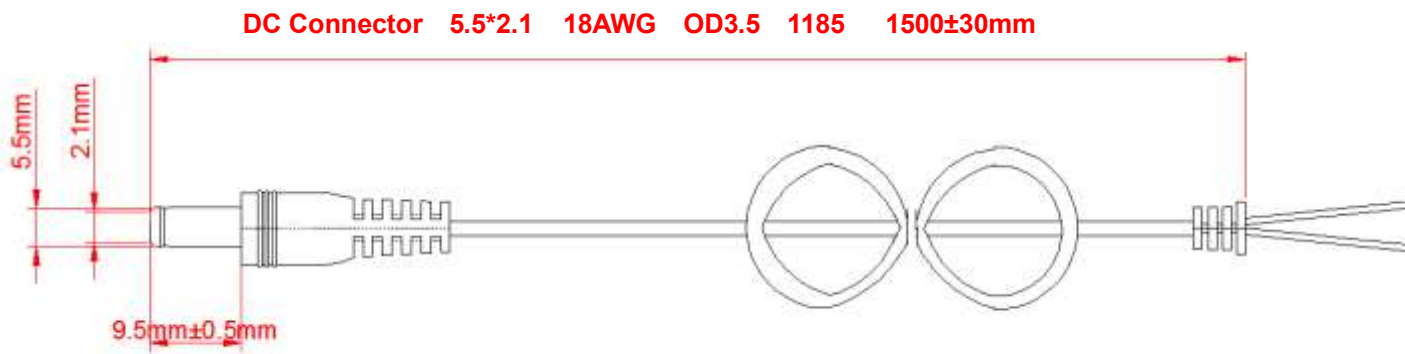
Operating ambient temperature:	0 ~+45°C
Storage temperature :	-10°C ~ +55°C (With enclosure)
Relative Humidity:	5%(0°C)~90%(40°C)

3. Hardware Description

3.1 Dimensions



3.2 DC cord & output plug



3.3 Materials

PC:	Lexan (940)f1..
Fire rating :	V-0
AC pin material:	brass (Ni Plated)