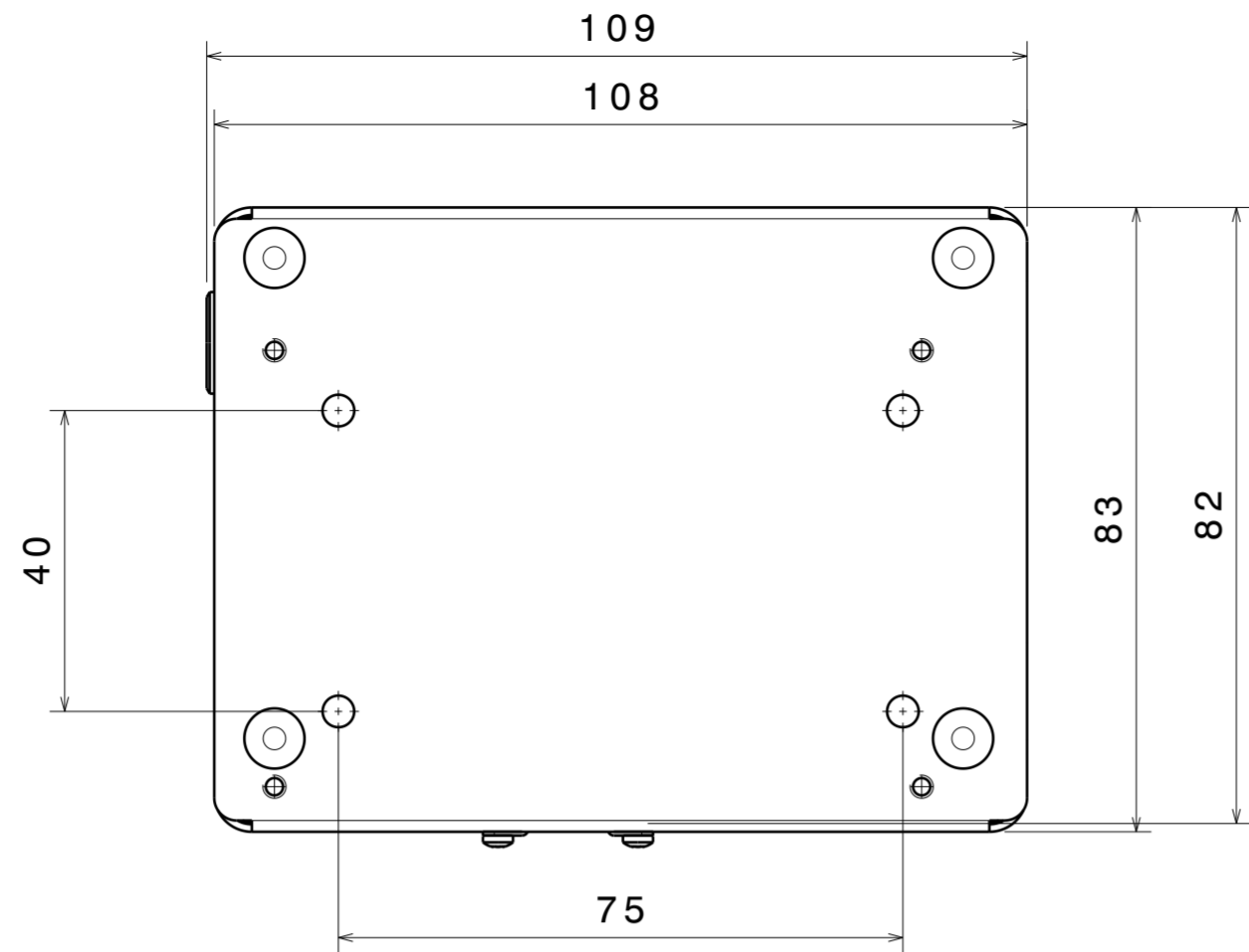
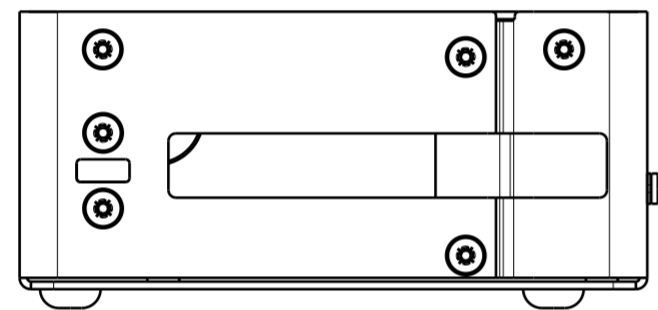


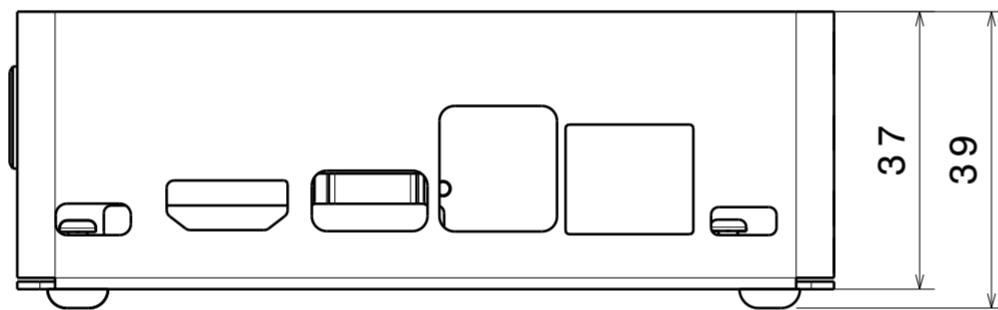
ISO View
Scale: 1:2



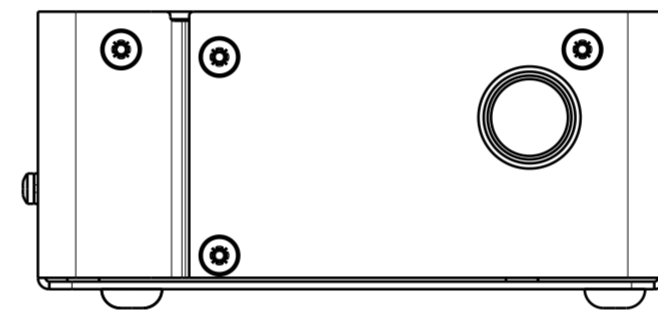
Bottom view
Scale: 1:1



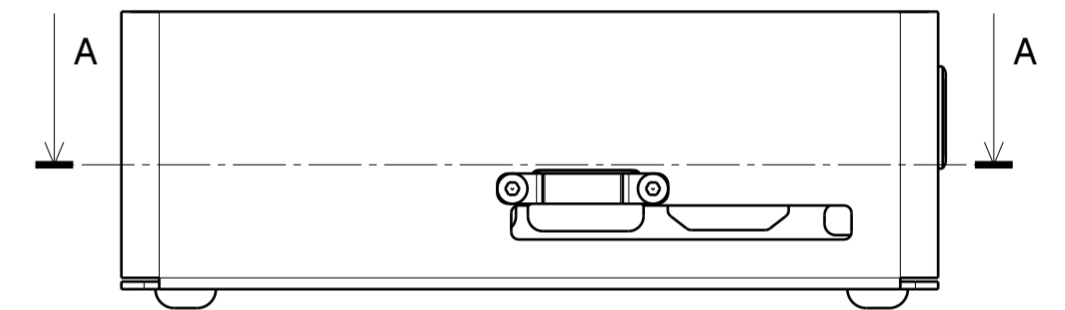
Right view
Scale: 1:1



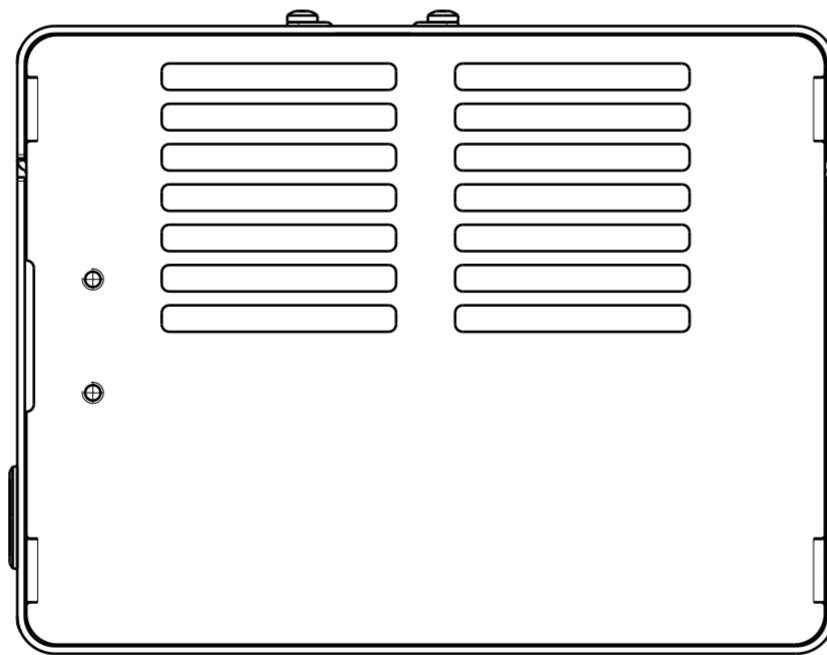
Front view
Scale: 1:1



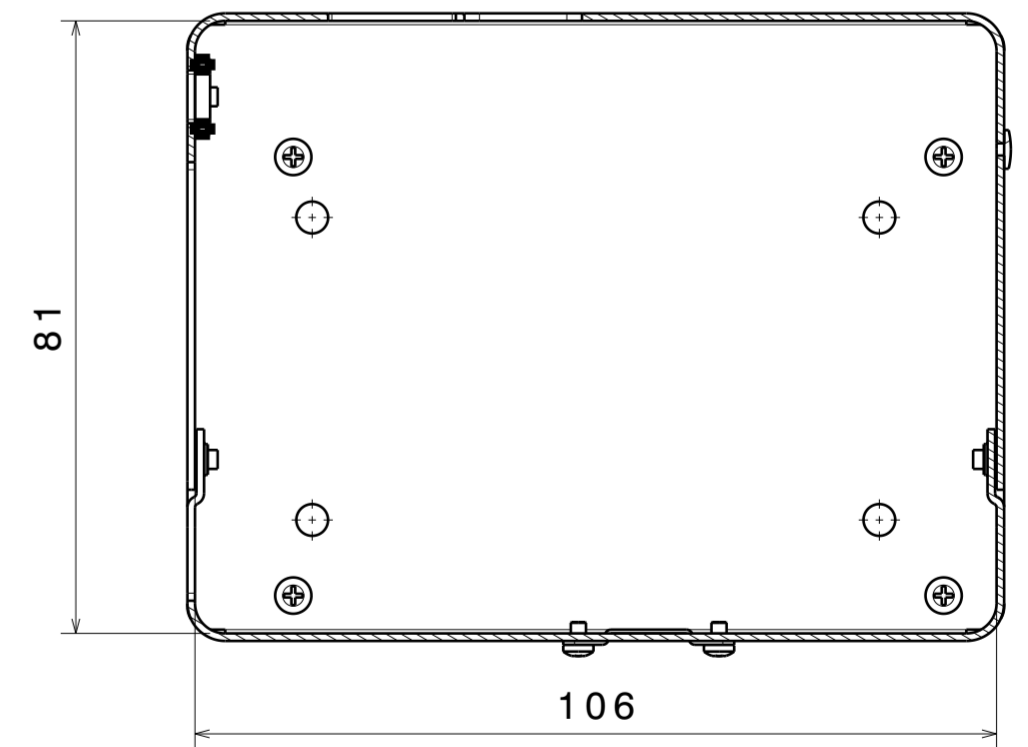
Left view
Scale: 1:1



Rear view
Scale: 1:1



Top view
Scale: 1:1



Section view A-A
Scale: 1:1

ITEM REF			NUMBER	DESCRIPTION	MATERIAL	REMARKS	Unit: metric
						Weight	.
View pos	Sign	General tolerance				Scale (if not 1:1)	1:1
	AP	SS-ISO 2768-1-m					
Checked	Approved	Drawing file				Sheet	1:1
	AP						
Title (max 20 pos)						Date	2020-12-22
						Drawing no	Rev.
						Drawing OKDO Jetson Nano 2GB Case	

This drawing is the property of
 OKDO Technology Limited.
 It may not be copied, shown
 or handed to any third party without our permission.