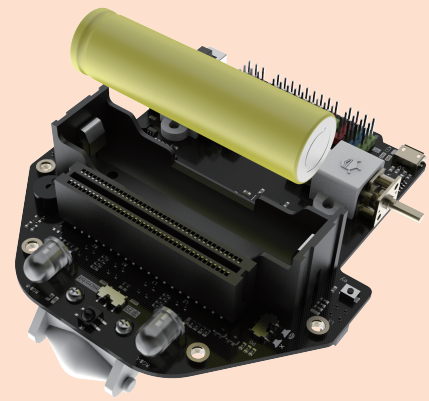


## Maqueen Plus User Guide



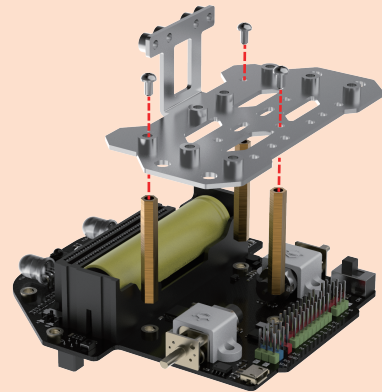
Scan QR code or  
Click [wiki.DFRobot.com](http://wiki.DFRobot.com) search for "Maqueen Plus"  
Get more tutorials!

[www.DFRobot.com](http://www.DFRobot.com)

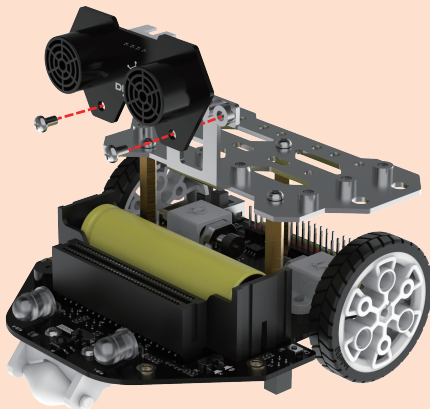


Do not place battery with the(+) and (-) in the wrong way

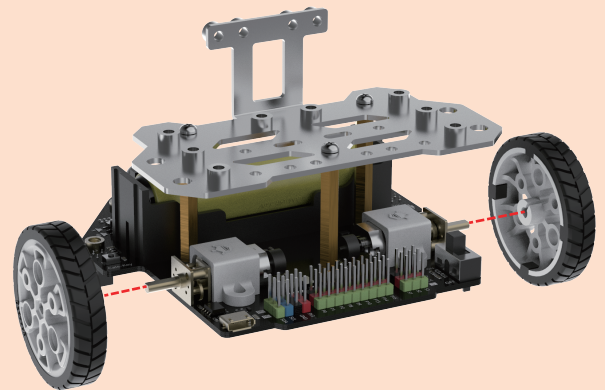
**1** Install 18650 Li-ion



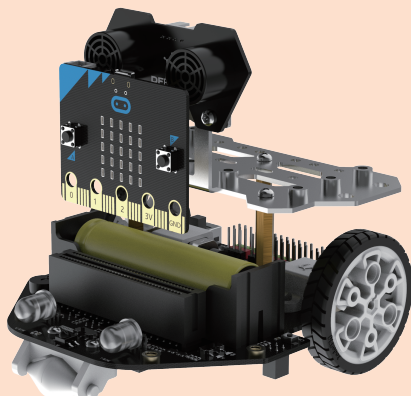
**2** Install supports




**4** Install ultrasonic sensor





**3** Install wheels





**5** Plug in micro:bit

 Product Name: Maqueen Plus -Advanced Programming Education Robot

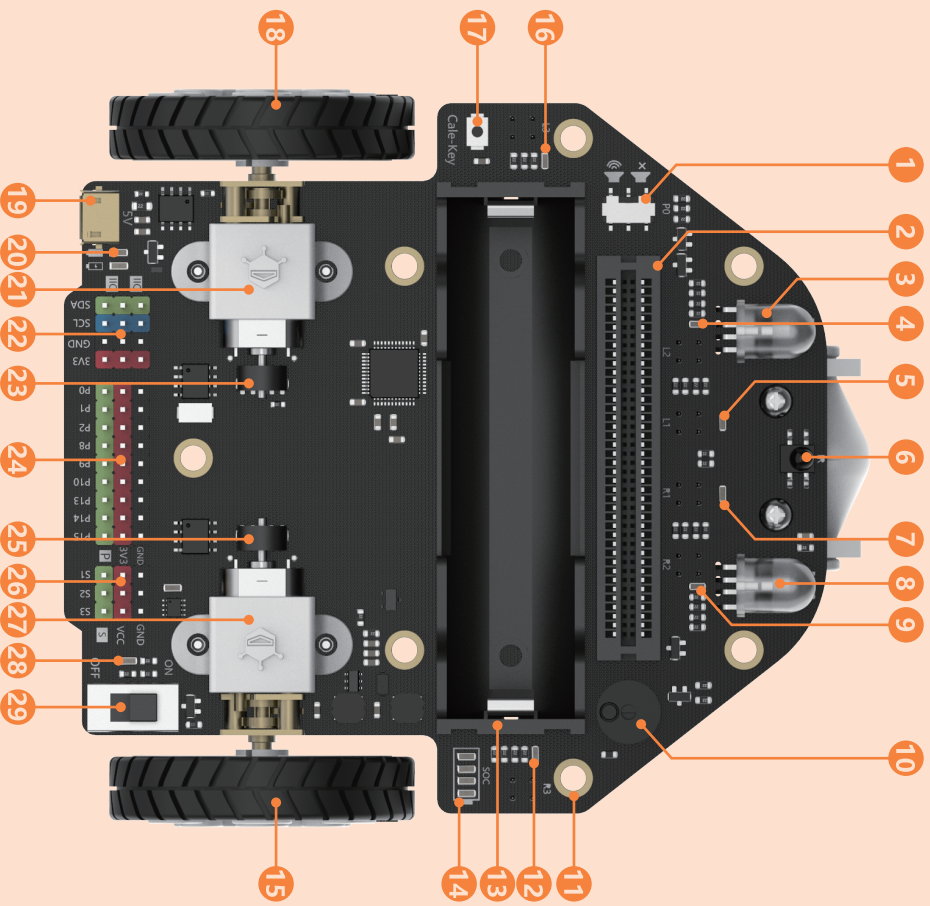
 Company : Shanghai Zhiwei Robotics Corp

 Address: Room 603, 2 Boyun Road, Pudong, Shanghai 201203 P.R.China

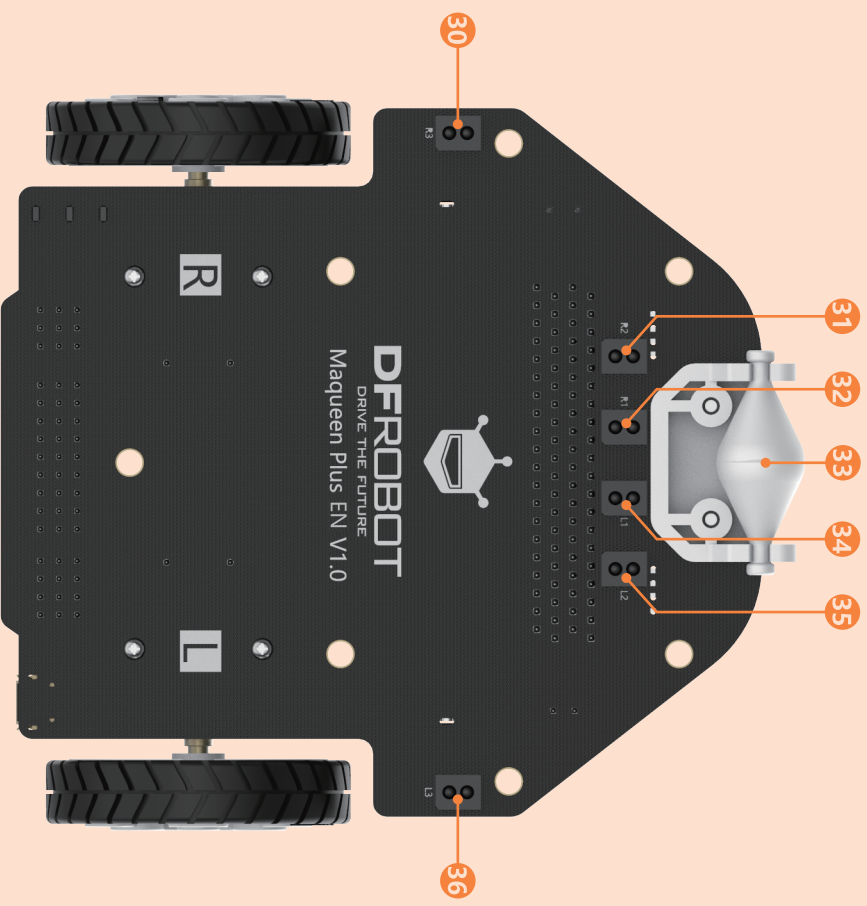
 Telephone:0086-21-61620183

 Email:store@dfrobot.com

 [www.DFRobot.com](http://www.DFRobot.com)



- 1 Buzzer switch
- 2 micro:bit socket
- 3 RGB-LED-L
- 4 L2 indicator LED
- 5 L1 indicator LED
- 6 Infrared receiver
- 7 R1 indicator LED
- 8 RGB-LED-R
- 9 R2 indicator LED
- 10 Buzzer
- 11 M3 Mounting holes
- 12 R3 indicator LED
- 13 Battery case
- 14 Electricity indicator LED
- 15 Right wheel
- 16 L3 indicator LED
- 17 Line-tracking Calibration Key
- 18 Left wheel
- 19 Charging port
- 20 Charging indicator LED
- 21 Motor-L
- 22 IIC expansion port
- 23 Encoder-L
- 24 GPIO port
- 25 Encoder-R
- 26 Servo port
- 27 Motor-R
- 28 Power supply indicator LED
- 29 Power supply switch
- 30 R3 line-tracking sensor
- 31 R2 line-tracking sensor
- 32 R1 line-tracking sensor
- 33 Support wheel
- 34 L1 line-tracking sensor
- 35 L2 line-tracking sensor
- 36 L3 line-tracking sensor



- 31 R3 line-tracking sensor
- 32 R2 line-tracking sensor
- 33 R1 line-tracking sensor
- 34 Encoder-L
- 35 Encoder-R
- 36 L3 line-tracking sensor