

PiloT 8 Analog Input Module

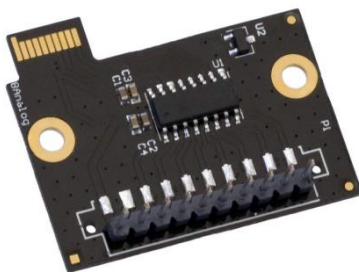
Features / Technical Specifications

- 8 Channel Analog Input Module for the PiloT Mainboard
- 8x12 bit resolution
- 0-10V input range (4-20mA alternatively, depending on variant)
- 60 kbps maximum sample rate
- Size: 36.6mm x 29.8mm (1.441in x 1.173in)

Applications

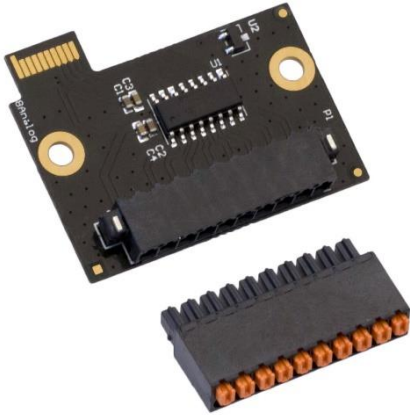
- Analog sensors (temperature, position, ...)
- potentiometers

8 analog input module with header connector (AI8H001)





8 analog input module with pluggable spring-cage connector (AI8P001)

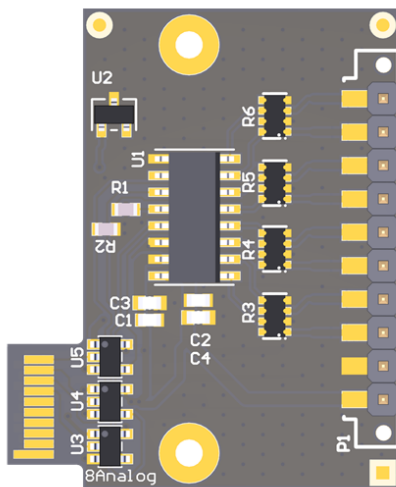


Tutorials

We have a list of tutorials for many different applications online, including remote-control through a web-interface and SMS notifications.

Please visit www.amescon.com/tutorials and get started!

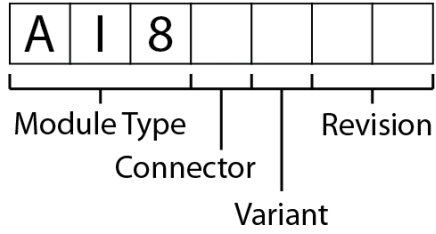
Pinout



- Analog Input 7
- Analog Input 6
- Analog Input 5
- Analog Input 4
- Analog Input 3
- Analog Input 2
- Analog Input 1
- Analog Input 0
- /GND
- + (5V Output only!)



Product Reference Guide (SKUs)



Connector

H	Header
P	Phoenix Contact Connector
N	No Connector

Variant

0	voltage measurement variant (0-10V)
1	current measurement variant (4-20mA)

Revision

01	First Revision (PCB rev 1)
----	----------------------------

Available PCB Variants

Connector	Variant	Revision	Documentation
H	0	01	10 Pin Header
P	0	01	Phoenix Contact Connector
N	0	01	No connector mounted



Disclaimer

Amescon GmbH does not authorize or warrant any of its products for use in life support systems, without the specific written consent of Amescon GmbH. Life support systems are equipment intended to support or sustain life, and whose failure to perform, when properly used in accordance with instructions provided, can be reasonably expected to result in personal injury or death.

Important Notice

Amescon GmbH reserves the right to make corrections, enhancements, improvements and other changes to its products and services, and to discontinue any product or service without further notice. Buyers should obtain the latest relevant information before placing orders and should verify that such information is current and complete.

The Information supplied above is believed to be accurate but Amescon GmbH assumes no responsibility for its accuracy or completeness, any error in or omission from it or for any use made of it. Users of this data sheet should check for themselves the Information and the suitability of the products for their purpose and not make any assumptions based on information included or omitted. Liability for loss or damage resulting from any reliance on the Information or use of it (including liability resulting from negligence or where Amescon GmbH was aware of the possibility of such loss or damage arising) is excluded.

All Pilot products (main board and modules) are sold subject to Amescon's terms and conditions of sale supplied at the time of order acknowledgement.

This data sheet and its contents (the "Information") belong to Amescon GmbH or are licensed to it. No licence is granted for the use of it other than for information purposes in connection with the products to which it relates. No licence of any intellectual property rights is granted.