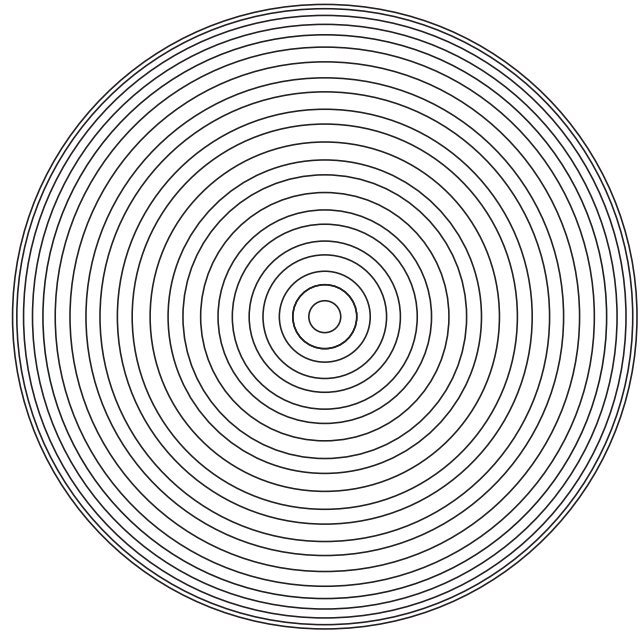
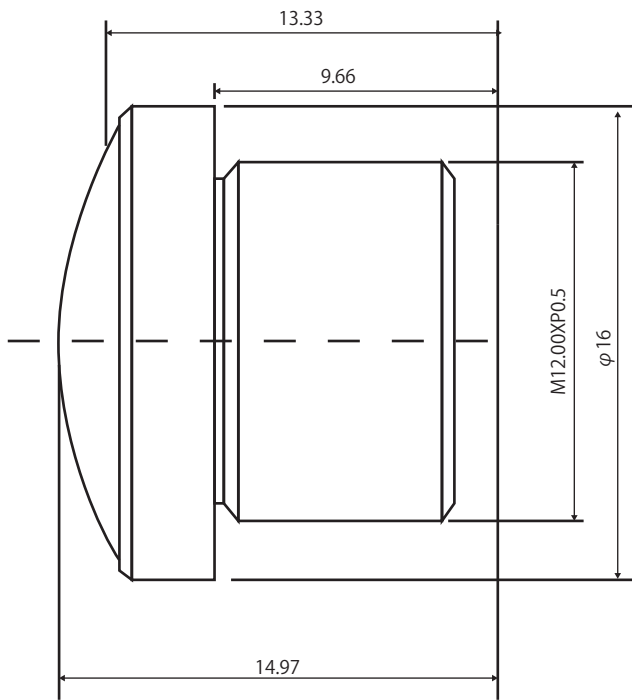


Entaniya Raspberry Pi RP-L220



Specification

Image Circle Size	φ2.80mm
Focal Length	3.15mm
FOV	220°
F number	2.1
Back Focal length	2mm
Mount	M12 x P0.5
Lens Configuration	2 glasses+4 Plastic

Image Hight

degree	image hight	degree	image hight
5.34	0.07095909	59.63	0.84372057
9.79	0.13034069	64.97	0.92285131
15.13	0.20218098	70.31	1.00025652
20.47	0.27493163	74.76	1.0626124
24.92	0.33642499	80.1	1.13371518
30.26	0.41140183	85.44	1.19936347
34.71	0.47492268	90	1.25407
40.05	0.55237207	95	1.30048
45.39	0.63101085	100	1.34029
49.84	0.69724086	105	1.37023
55.18	0.77716367	110	1.38923

1/4" sensor

