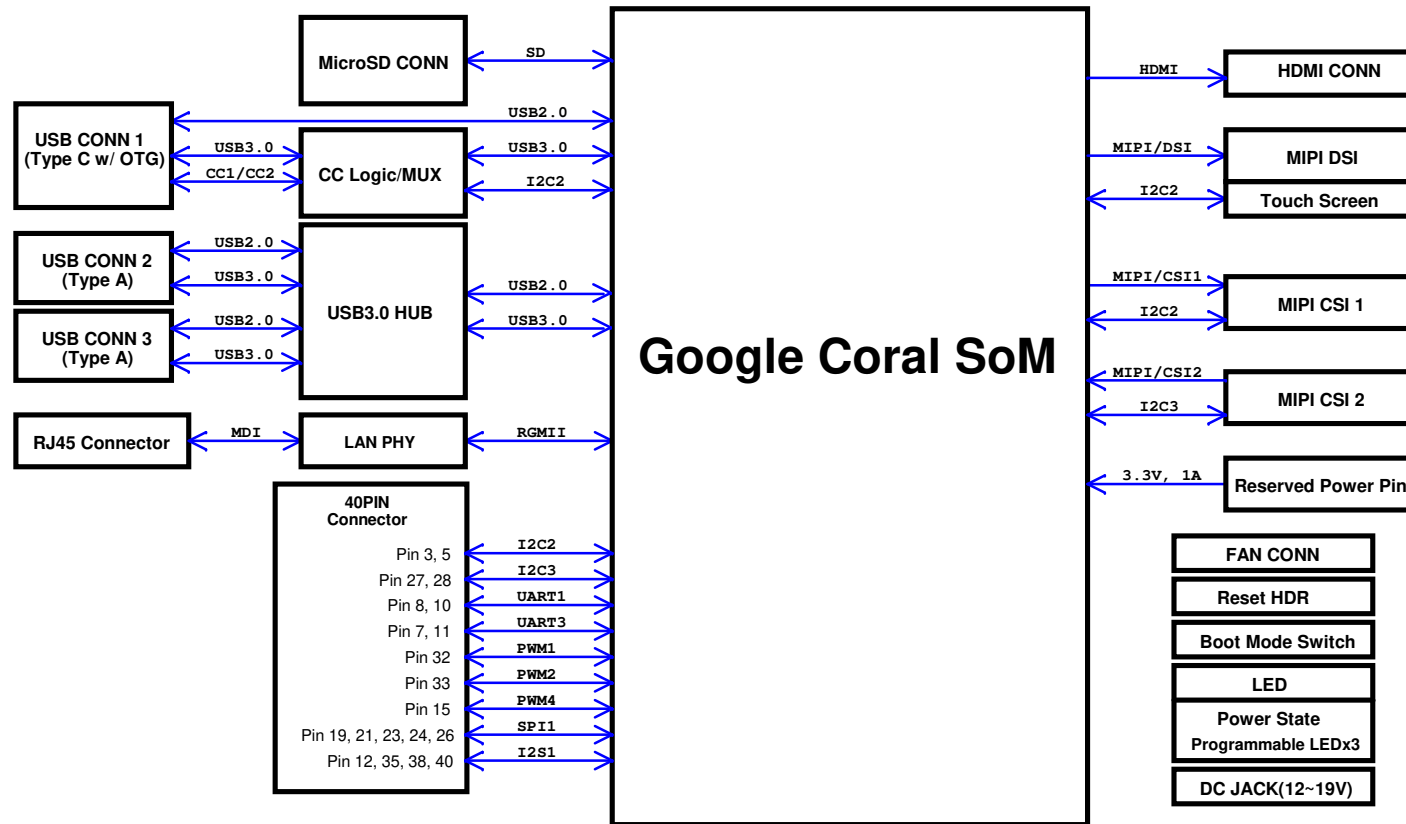
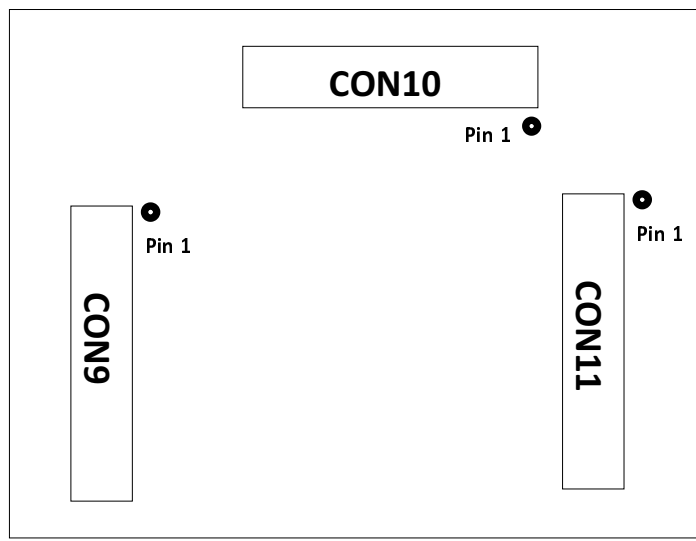
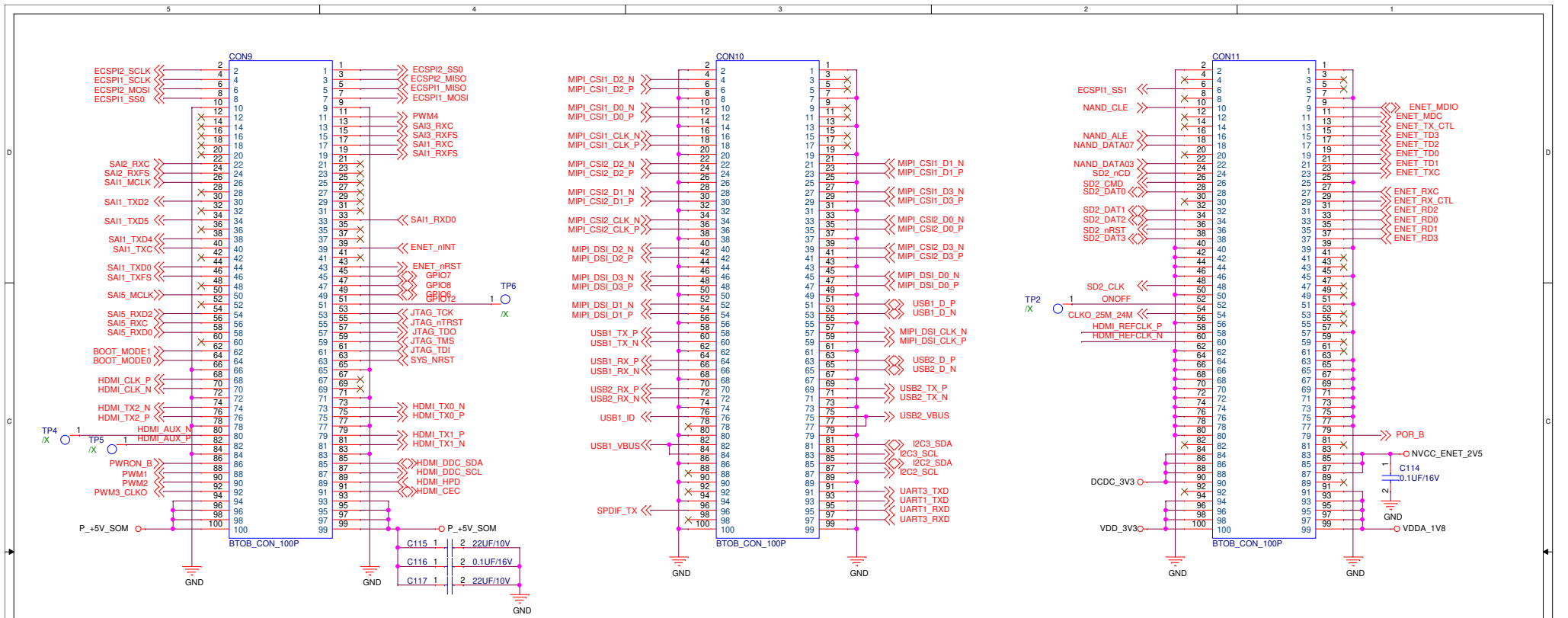


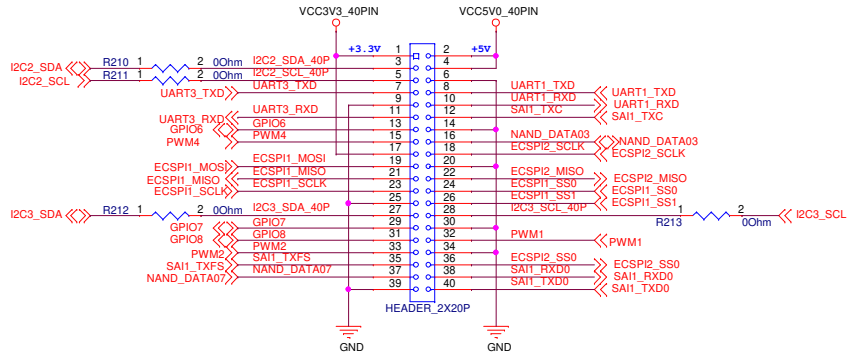
Tinker Edge T Block Diagram



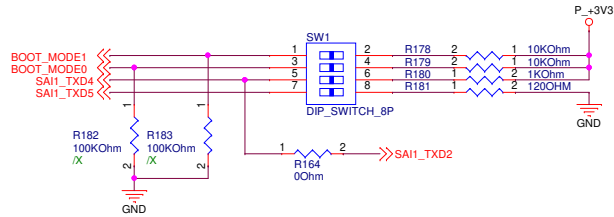
I2C	Component	Address(7-bit)	Where
I2C2	MIPI CSI 1		Carrier
	MIPI DSI		Carrier
	IT5201	1100 111(0x67)	Carrier
	40 pin CONN (Pin 3, 5)		Carrier
	Clock	1101 000(0x68)	SOM
I2C3	MIPI CSI 2		Carrier
	40 pin CONN (Pin 27, 28)		Carrier



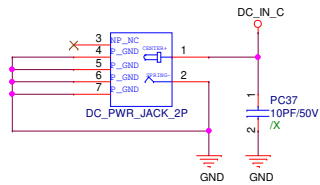
GPIO



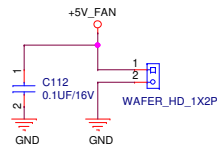
Switch



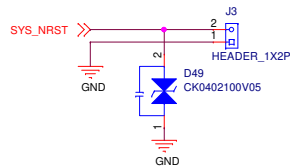
DC Input



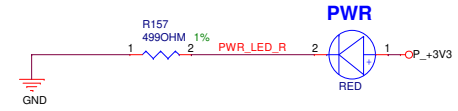
FAN



RESET



Power State LED



Programmable LED

