

TINKER EDGE T

Card size SBC, NXP i.MX 8M Quad-core SoC, Google Edge TPU, 1GB RAM, 8GB eMMC, HDMI, MIPI-DSI, MIPI-CSI, 12-19V DC in



Features

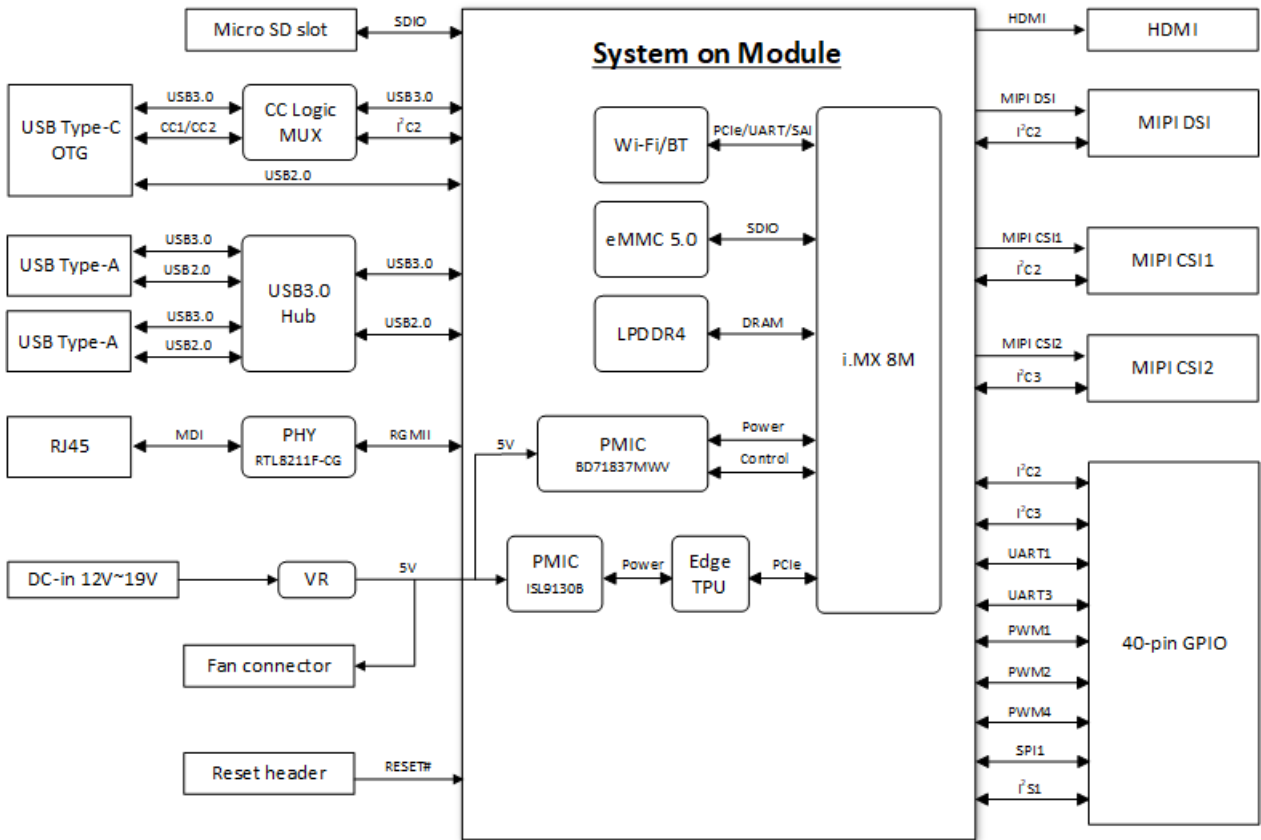
- ML capability with Google Edge TPU
- 2 x MIPI-CSI / MIPI-DSI / HDMI
- 40-pin GPIOs for multiple purposes
- 12V~19V DC-in offers stable power delivery

Specifications

Processor	SoC	NXP i.MX 8M
	CPU	Quad-core Arm® Cortex®-A53 @ 1.5GHz, Coretex-M4
	GPU	GC7000 Lite
	NN Processor	Google Edge TPU ML accelerator coprocessor
Memory	Technology	LPDDR4 On-board
	Size	1GB
Storage	eMMC	8GB On-board
	Memory Card	1 x Micro SD (TF) card slot (push & pull)
Ethernet	Speed	10/100/1000Mbps
	Controller	1 x Realtek RTL8211F-CG
Wireless	Speed	802.11 a/b/g/n/ac & Bluetooth 4.2
	Module	1 x Murata LBEE5U91CQ On-board
	Antenna	2T2R
Display	HDMI	1, Supports up to 4096 x 2160 @ 60 Hz
	MIPI DSI	1, Supports 4 lane up to 6 Gbps, 1920 x1080 @ 60 Hz (22-pin)
	Multi Display	HDMI+MIPI DSI
Camera	MIPI CSI-2	2, Supports 4 lane up to 3 Gbps (24-pin)
Audio	HDMI Audio	1
	I2S	1, in 40-pin header
	S/PDIF	1, in 40-pin header
Rear I/O	USB 3.2 Gen1 Type-A	2
	USB 3.2 Gen1 Type-C OTG	1
	Ethernet	1
	HDMI	1
Internal I/O	40-pin GPIO Header	- up to 28 x GPIO pins - up to 1 x SPI bus - up to 2 x I2C bus - up to 2 x UART - up to 3 x PWM - up to 1 x PCM/I2S (master/slave) - 2 x 5V Power pins - 2 x 3.3V Power pins - 8 x Ground pins
	Reset Header	1 (2-pin)
	DC Fan Header	1 (2-pin)
	Boot mode Switch	1
Power	Power Input	12 to 19 VDC, barrel jack (5.5/2.5 mm)
Environment	Operating Temperature	0~50°C
	Storage Temperature	-40~85°C
	Relative Humidity	0 to 85% (non-condensing)
Others	Operating System	Mendel
	Dimensions	3.37" x 2.125" (85 x 56 mm)

*Spec by SKU

Block Diagram



Ordering Information

PN	Model Name	Description
90ME0140-*	Tinker Edge T	Card size SBC, NXP i.MX 8M Quad-core SoC, Google Edge TPU, 1GB RAM, 8GB eMMC, HDMI, MIPI-DSI, MIPI-CSI, 12-19V DC in

Packing List

Item#	Description
1.	Quick Start Guide
2.	1 x Back Plate

Optional Accessories

Item#	Description
Power Adapter 45W	DC 19V/2.37A or 19.5V/3.33A (5.5/2.5mm)
Power Adapter 65W	DC 19V/3.42A or 19.5V/2.31A (5.5/2.5mm)

*Accessories will be shipped separately

Power Adapter 45W

DC 19V/2.37A or 19.5V/3.33A (5.5/2.5mm)

Ordering Information

PN	Model Name	Description
90AN00D0-M0AAY0	45W ADAPTER/US	United States
90AN00D0-M0BAY0	45W ADAPTER/BR	Brazil
90AN00D0-M0CAY0	45W ADAPTER/CN	China
90AN00D0-M0EAY0	45W ADAPTER/EU	European Union
90AN00D0-M0EAY1	45W ADAPTER/UK	United Kingdom
90AN00D0-M0EAY2	45W ADAPTER/CH	Switzerland
90AN00D0-M0EAY3	45W ADAPTER/ZA	South Africa
90AN00D0-M0EAY4	45W ADAPTER/IL	Israel
90AN00D0-M0IAY0	45W ADAPTER/IN	India
90AN00D0-M0JAY0	45W ADAPTER/JP	Japan
90AN00D0-M0SAY0	45W ADAPTER/AR	Argentina
90AN00D0-M0TAY0	45W ADAPTER/TW	Taiwan
90AN00D0-M0UAY0	45W ADAPTER/HK	Hong Kong
90AN00D0-M0UAY1	45W ADAPTER/AU	Australia
90AN00D0-M0UAY2	45W ADAPTER/KR	Korea

Power Adapter 65W

DC 19V/2.37A or 19.5V/3.33A (5.5/2.5mm)

Ordering Information

PN	Model Name	Description
90AN00C0-M0AAY0	65W ADAPTER/US	United States
90AN00C0-M0BAY0	65W ADAPTER/BR	Brazil
90AN00C0-M0CAY0	65W ADAPTER/CN	China
90AN00C0-M0EAY0	65W ADAPTER/EU	European Union
90AN00C0-M0EAY1	65W ADAPTER/UK	United Kingdom
90AN00C0-M0EAY2	65W ADAPTER/CH	Switzerland
90AN00C0-M0EAY3	65W ADAPTER/ZA	South Africa
90AN00C0-M0EAY4	65W ADAPTER/IL	Israel
90AN00C0-M0IAY0	65W ADAPTER/IN	India
90AN00C0-M0JAY0	65W ADAPTER/JP	Japan
90AN00C0-M0SAY0	65W ADAPTER/AR	Argentina
90AN00C0-M0TAY0	65W ADAPTER/TW	Taiwan
90AN00C0-M0UAY0	65W ADAPTER/HK	Hong Kong
90AN00C0-M0UAY1	65W ADAPTER/AU	Australia
90AN00C0-M0UAY2	65W ADAPTER/KR	Korea