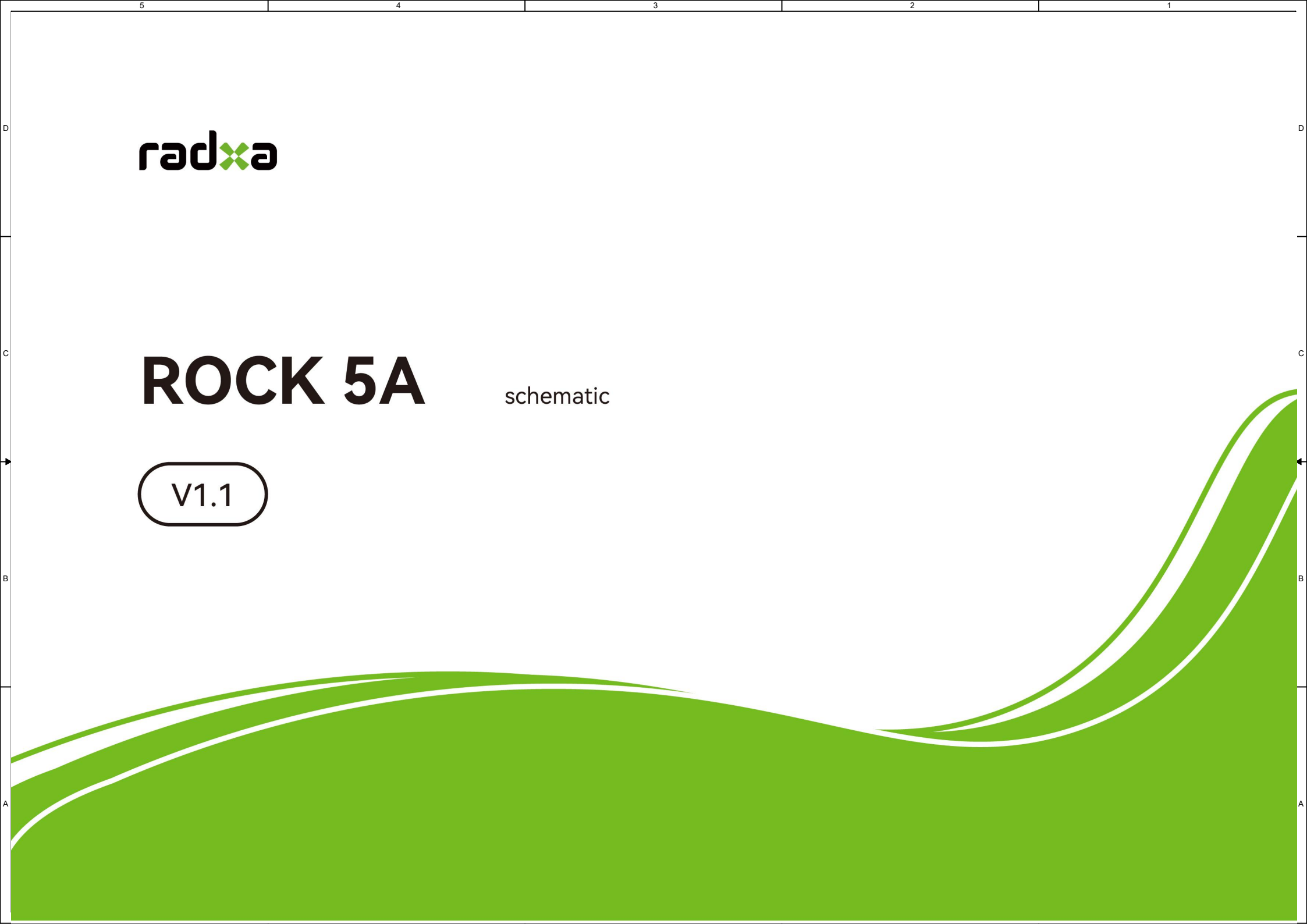




# ROCK 5A

schematic

V1.1



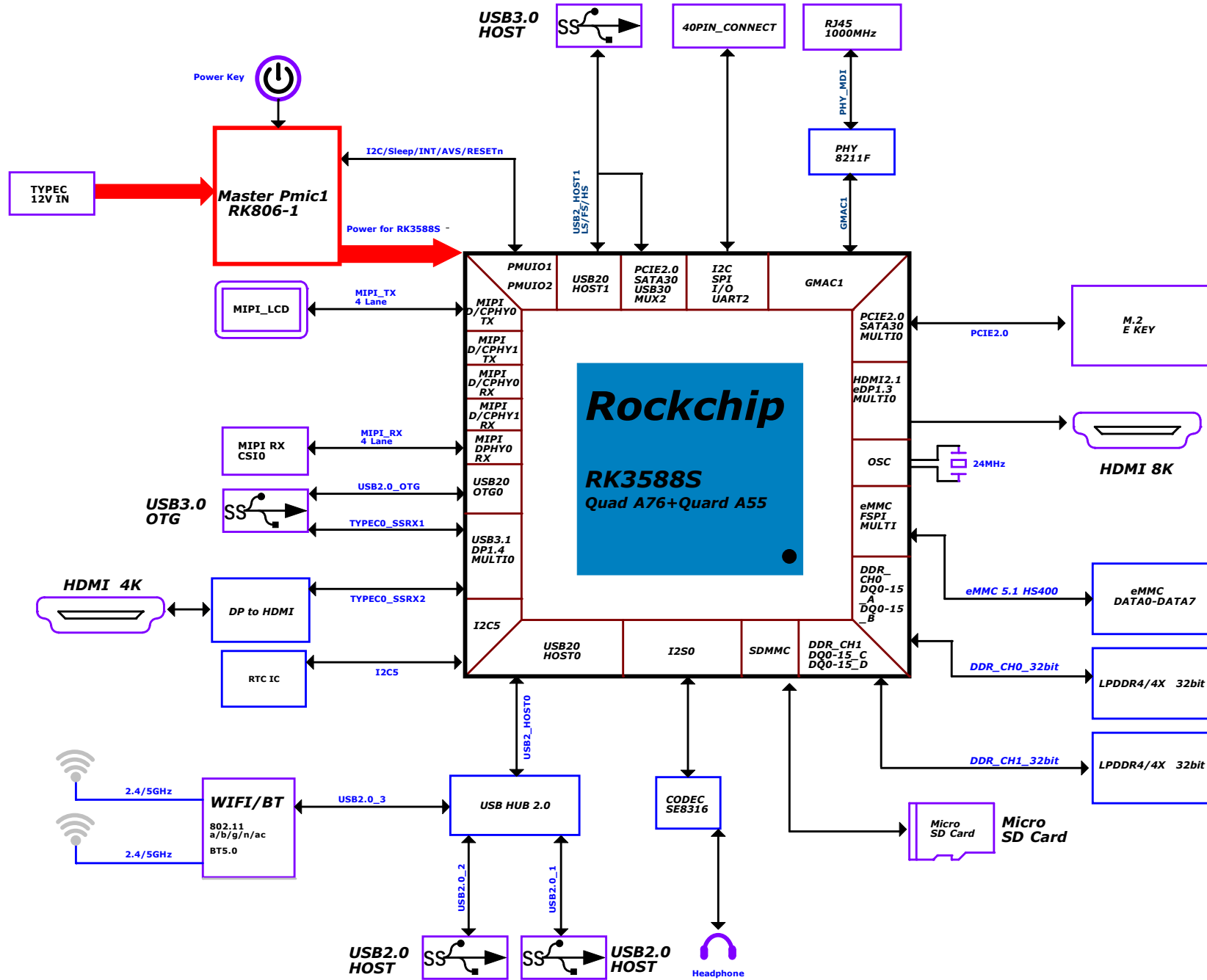
# Table of Content

- 01.cover
- 02.Index
- 03.Block Diagram
- 04.RK3588S\_Power/GND
- 05.RK3588S\_OSC/PLL/PMUIO
- 06.RK3588S\_DDR Controler
- 07.RK3588S Flash/SD/USB
- 08.RK3588S\_ADC/ GPIO/CSI
- 09.RK3588S\_MIPI Interface
- 10.RK3588S\_PCIE2/EDP/USB3
- 11.RK3588S GPIO
- 12.DRAM-LPDDR4/4X\_200P\_2X32bit
- 13.MICRO HDMI 8K
- 14.DP to HDMI
- 15.USB2/USB3 Port
- 16.USB HUB\_FAN
- 17.Ethernet
- 18.MIPI\_LCD
- 19.TF/RTC
- 20.Audio ES8316
- 21.M.2 E Key
- 22.EMMC/SPI FLASH
- 23.Power\_PMIC
- 24.Power\_Ext
- 25.Power\_DC IN
- 26.40PIN Connect

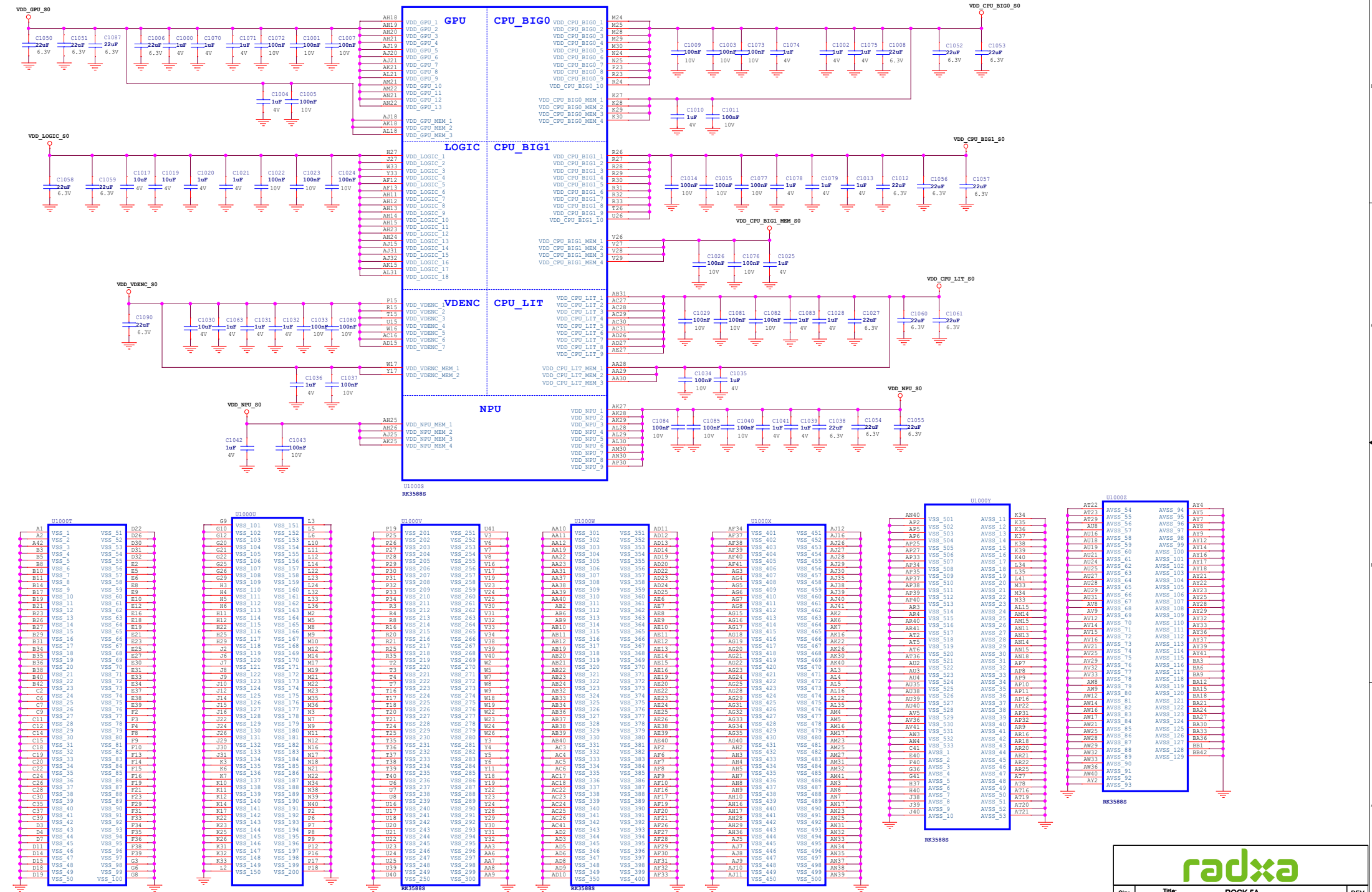


Size	Title: ROCK 5A	REV
A4	Page Name: Index	1.1
Date: Monday, April 24, 2023	Sheet 02	of 26

# 5A Block Diagram



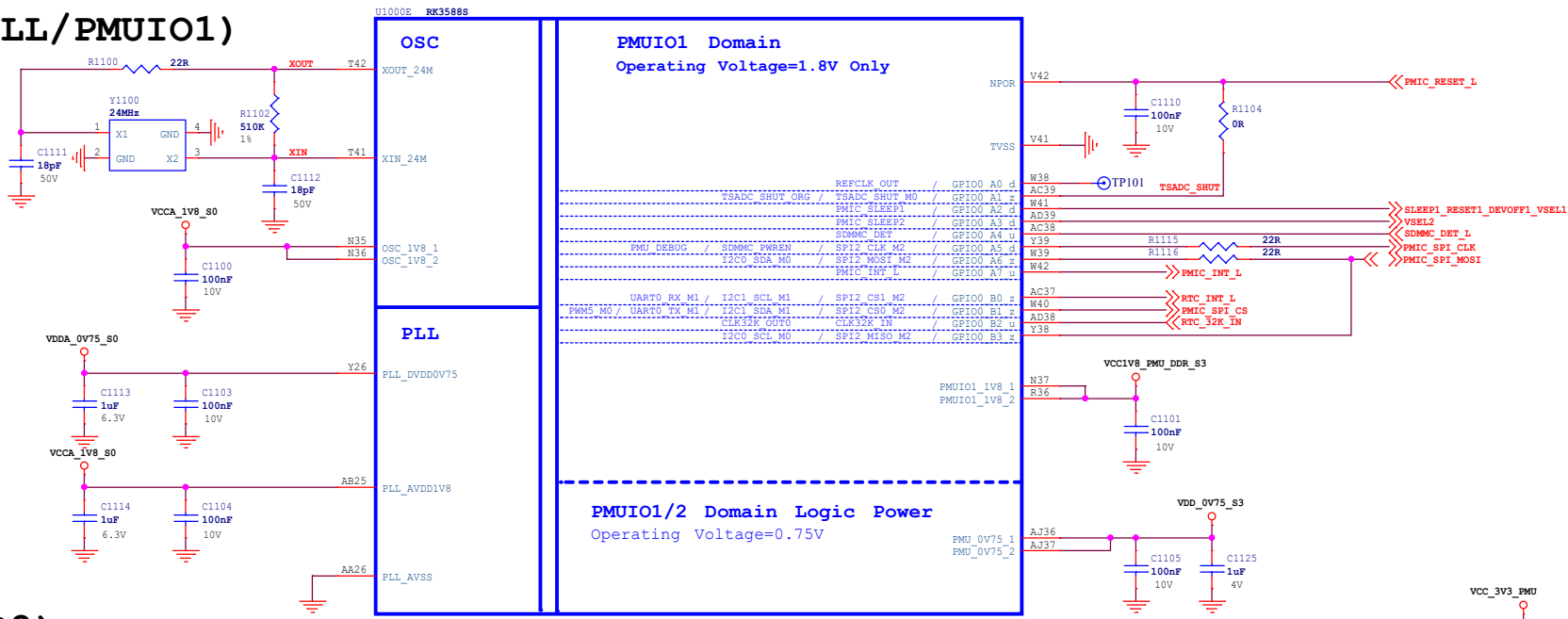
# RK3588S (Power&Gnd)



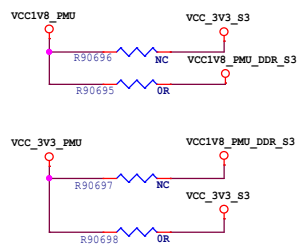
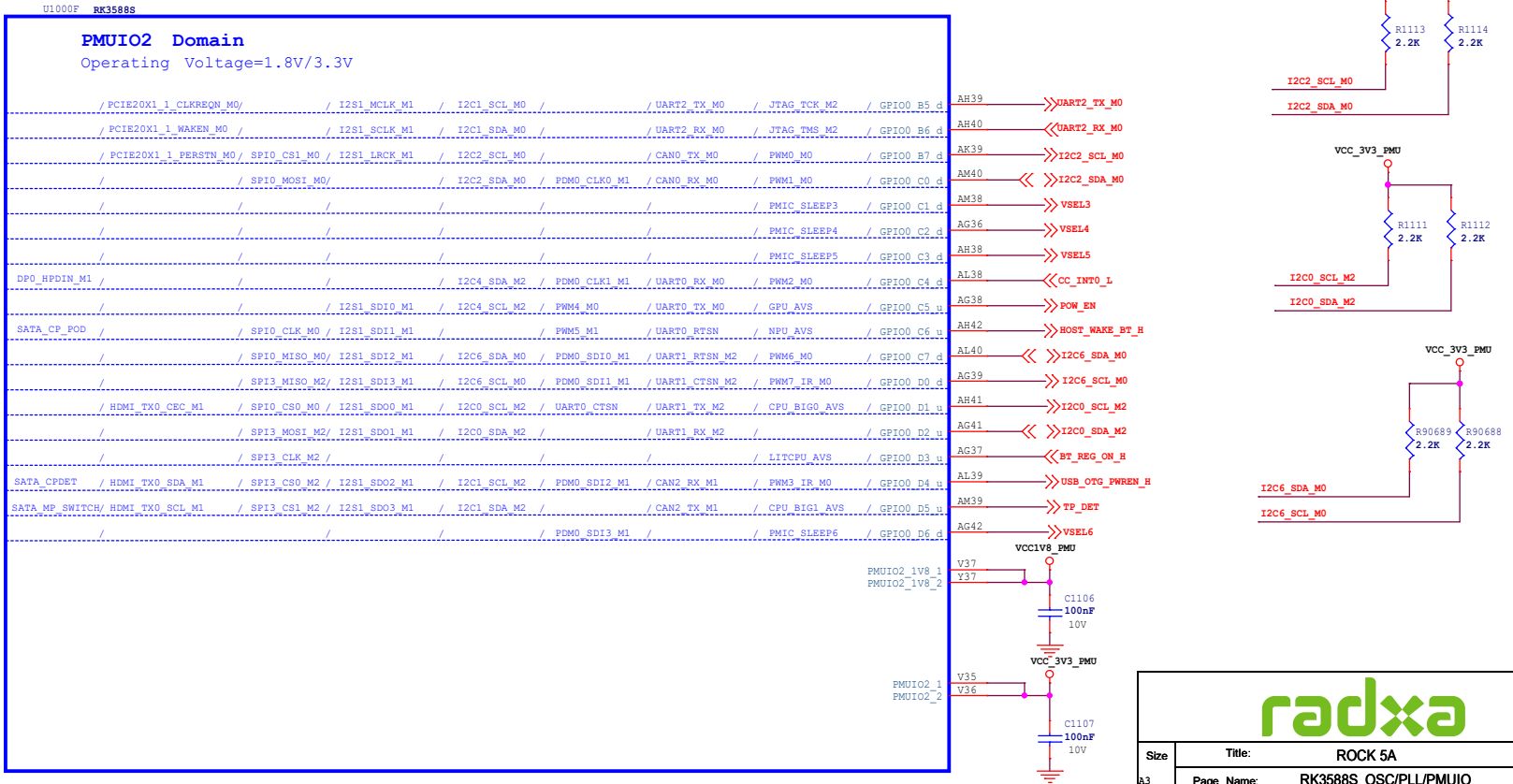
radxa

Size	Title: <b>ROCK 5A</b>	REV
Customer	Page Name: <b>RK3588S Power/GND</b>	1.1
Date: Monday, April 24, 2023	Sheet 04 of 26	

# RK3588S (OSC/PLL/PMUIO1)



# RK3588S (PMUIO2)



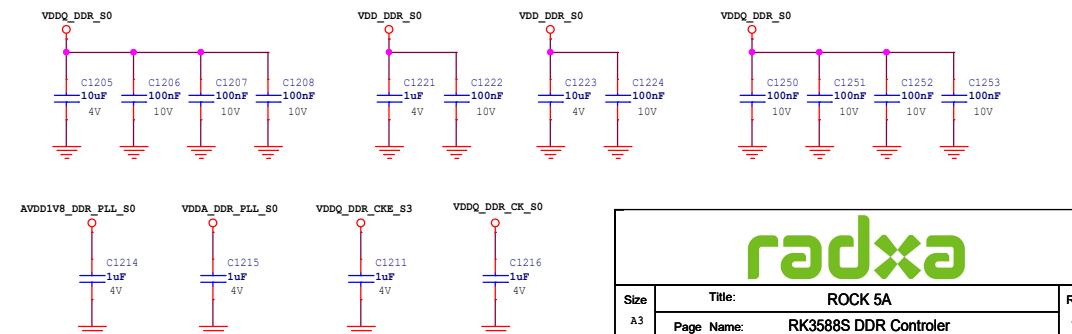
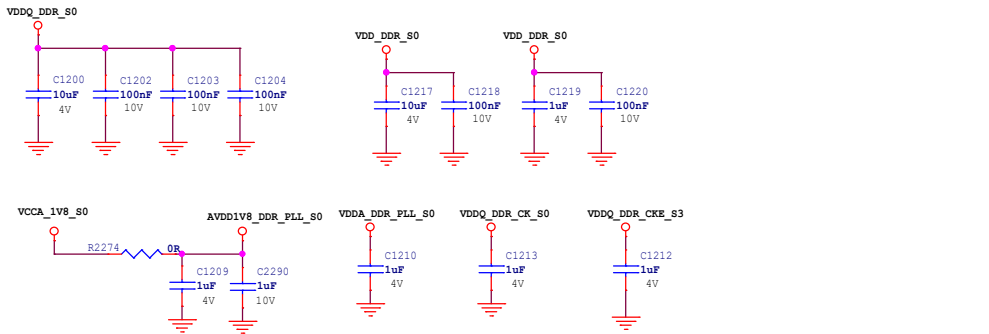
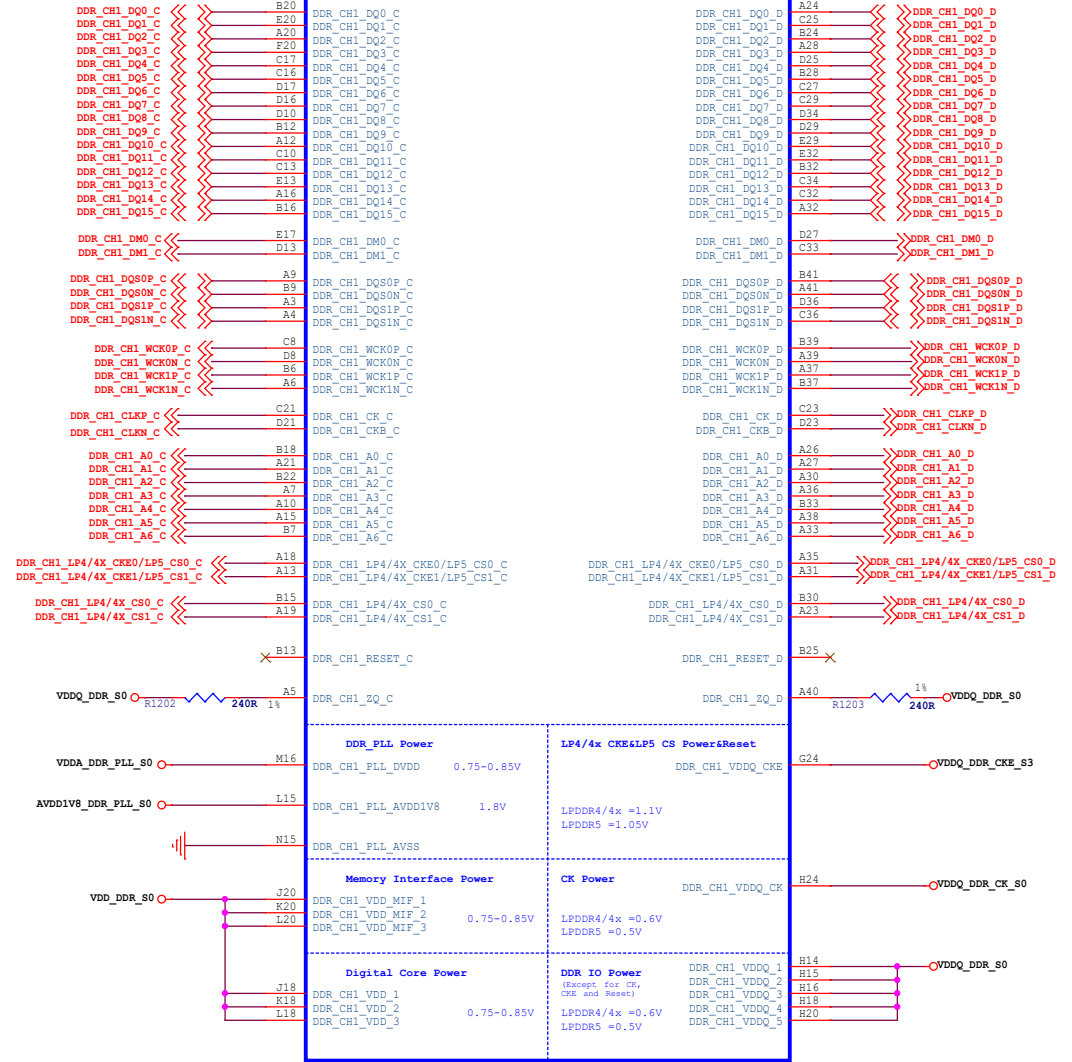
Size	Title: ROCK 5A	REV
A3	Page Name: RK3588S_OSC/PLL/PMUIO	1.1
Date: Monday, April 24, 2023	Sheet 05 of 26	


# RK3588S (DDR PHY)

U1000A RK3588S



U1000B RK3588S

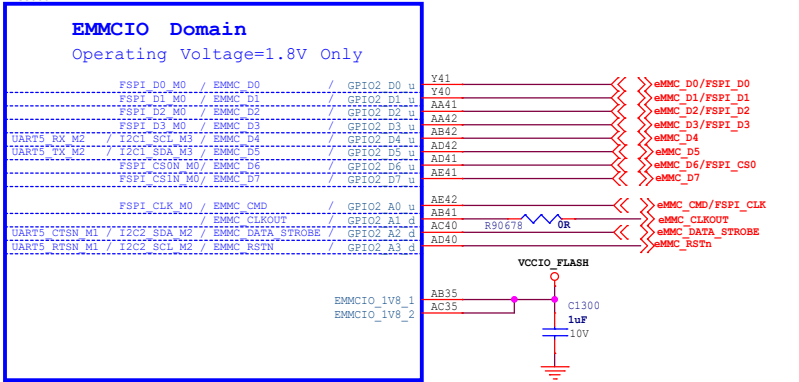




	Title: <b>ROCK 5A</b>	REV
A3	Page Name: <b>RK3588S DDR Controller</b>	1.1
Date: Monday, April 24, 2023	Sheet 06 of 26	

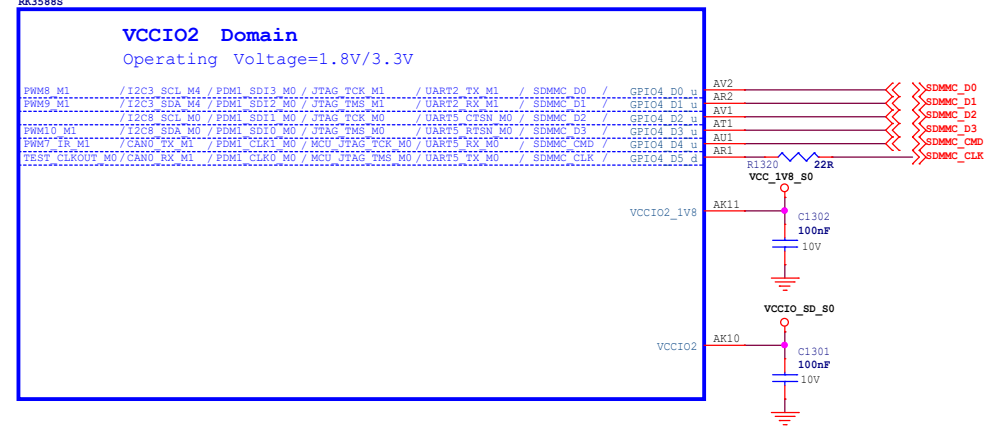
# RK3588S (EMMCIO Domain)

U1000C  
RK3588S



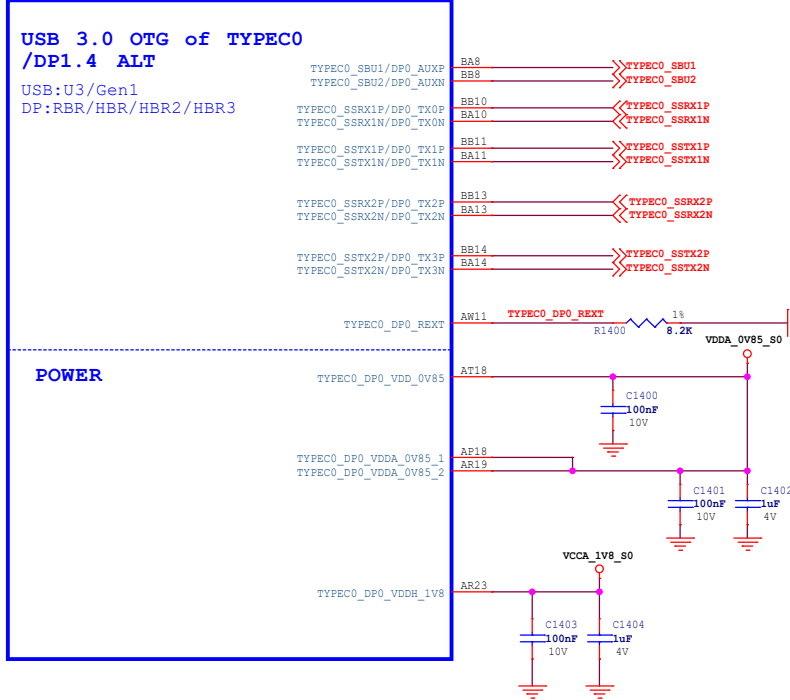
# RK3588S (VCCIO2 Domain)

U1000D  
RK3588S



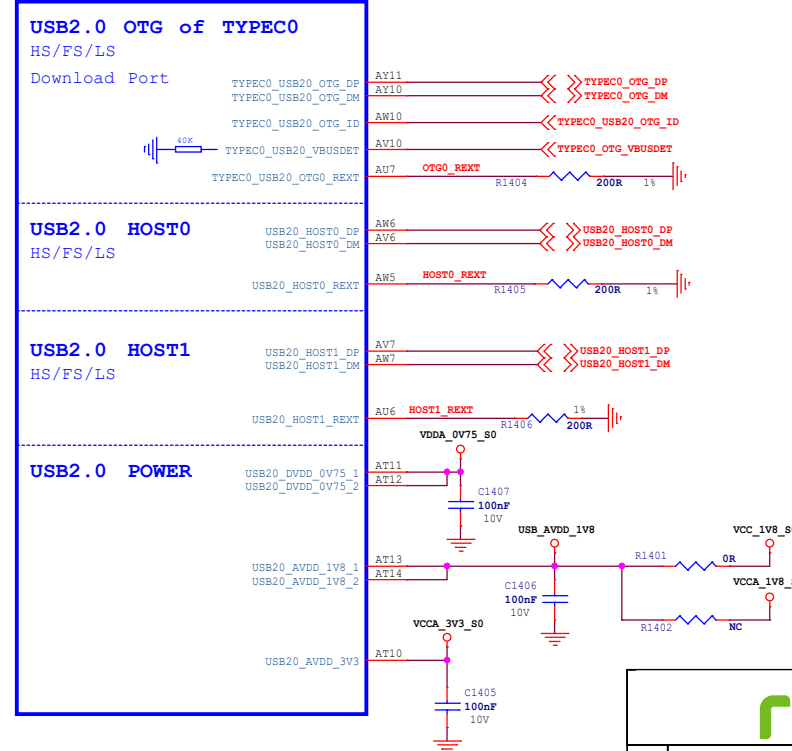
# RK3588S (USB3.0/DP1.4)

U1000L  
RK3588S



# RK3588S (USB2.0)

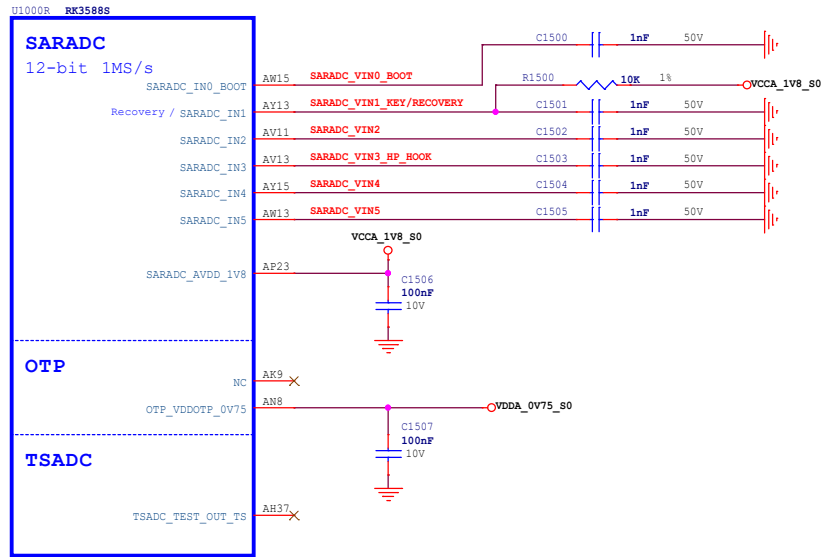
U1000K  
RK3588S



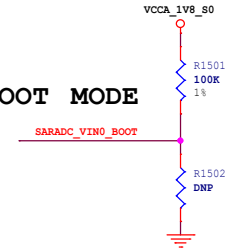
Size	Title: ROCK 5A	REV
A3	Page Name: RK3588S Flash/SD/USB	1.1
Date: Monday, April 24, 2023	Sheet 07 of 26	

# RK3588S (SARADC/OTP/TSADC)

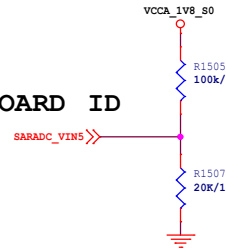
- << SARADC\_VIN1\_KEY/RECOVERY
- << SARADC\_VIN2
- << SARADC\_VIN3\_HP\_HOOK
- << SARADC\_VIN4
- << SARADC\_VIN0\_BOOT



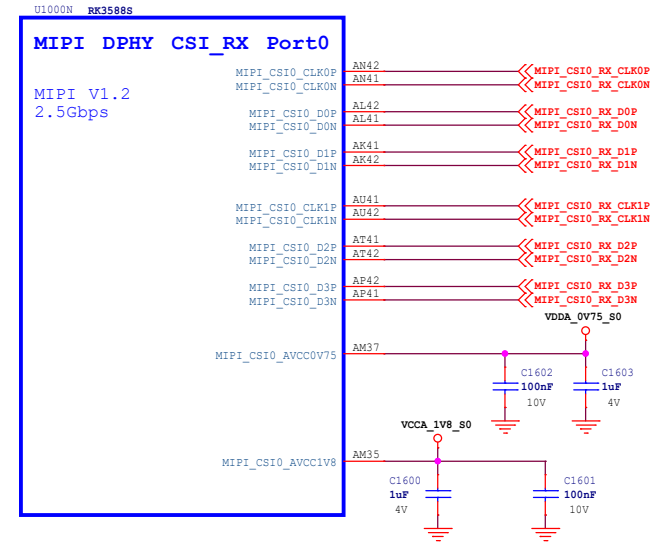
## BOOT MODE



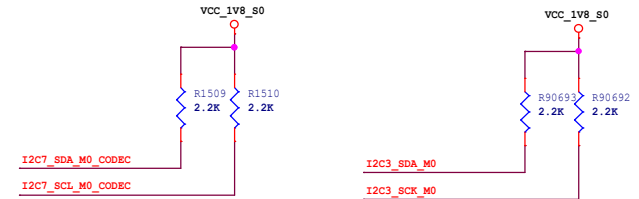
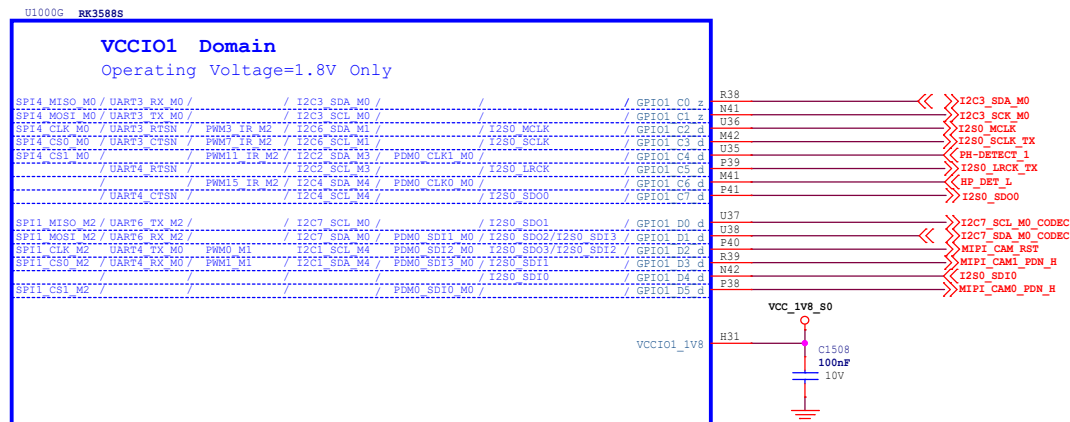
## BOARD ID



# RK3588S (MIPI\_DPHY CSI0 RX)



# RK3588S (VCCIO1 Domain)

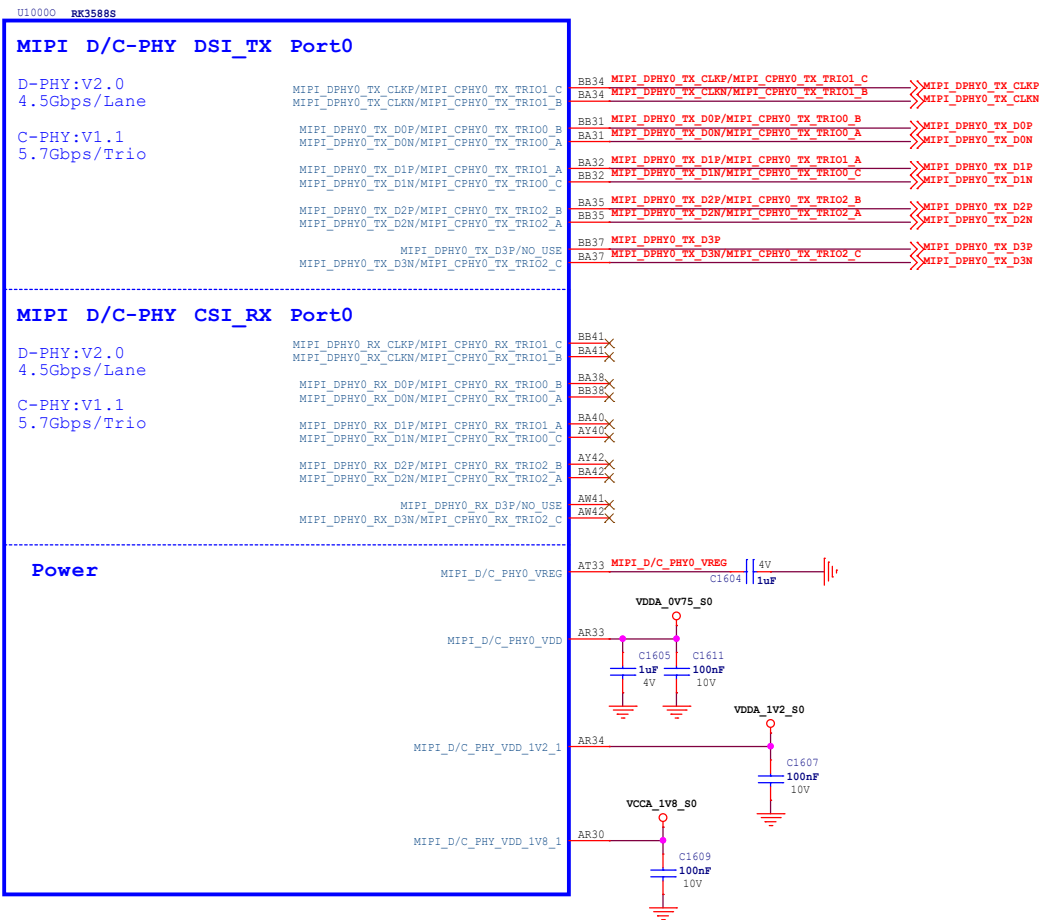
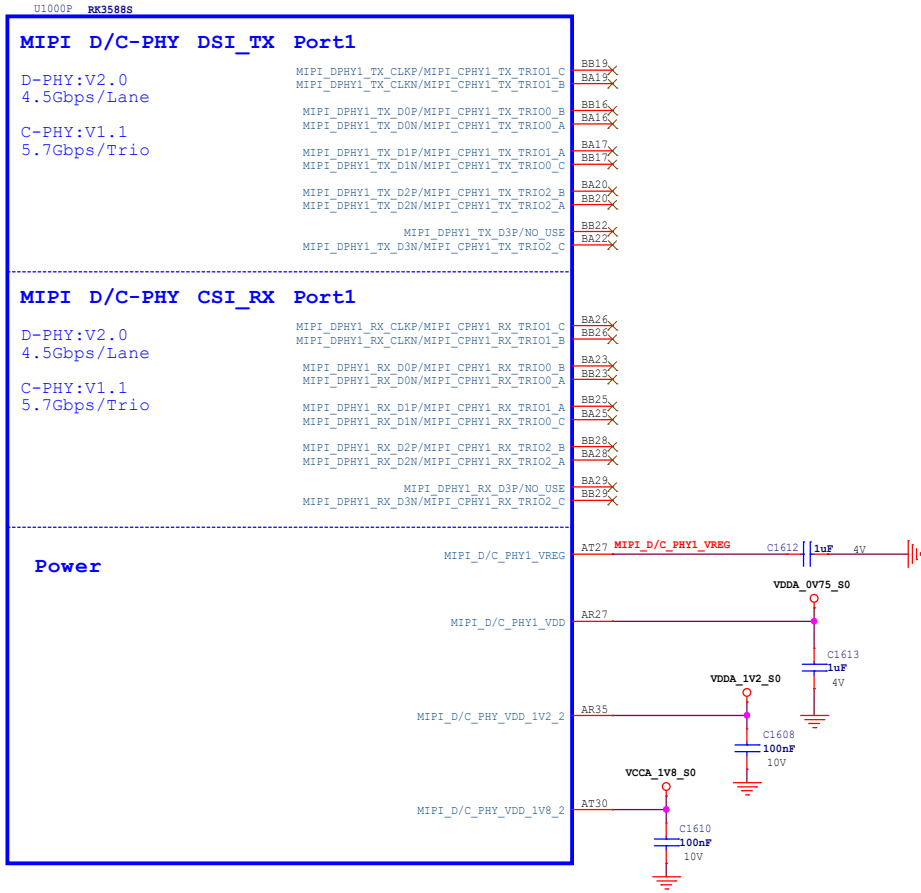


Size	Title:	ROCK 5A	REV
A3	Page Name:	RK3588S_ADC/GPIO/CSI	1.1
Date:	Monday, April 24, 2023	Sheet	08 of 26

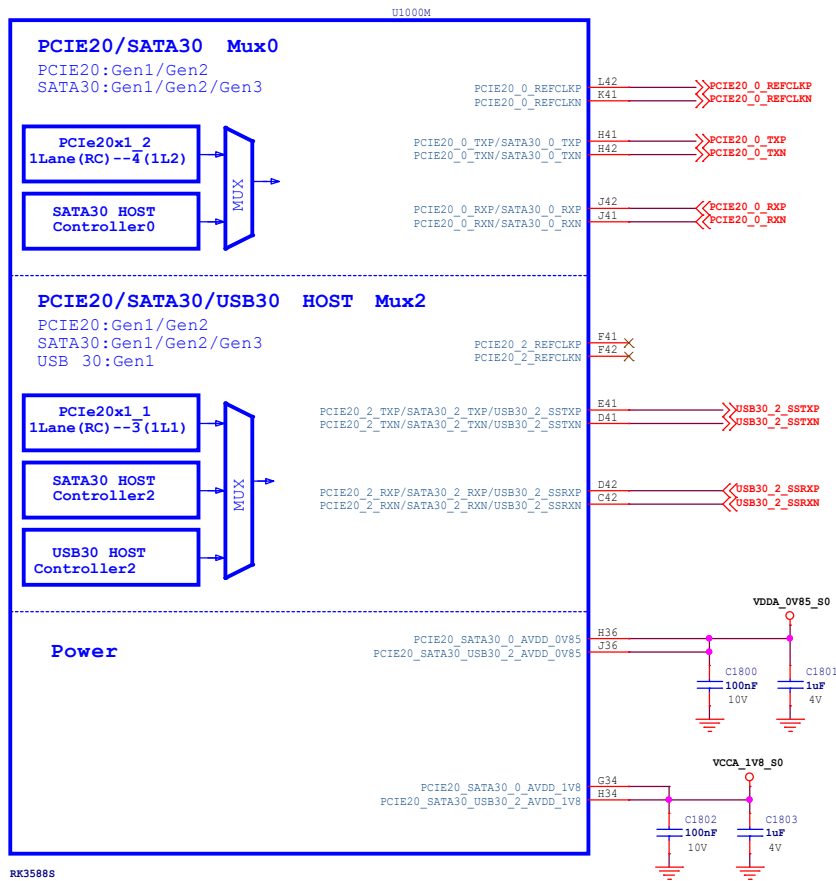


# RK3588S (MIPI\_D/C PHY1)

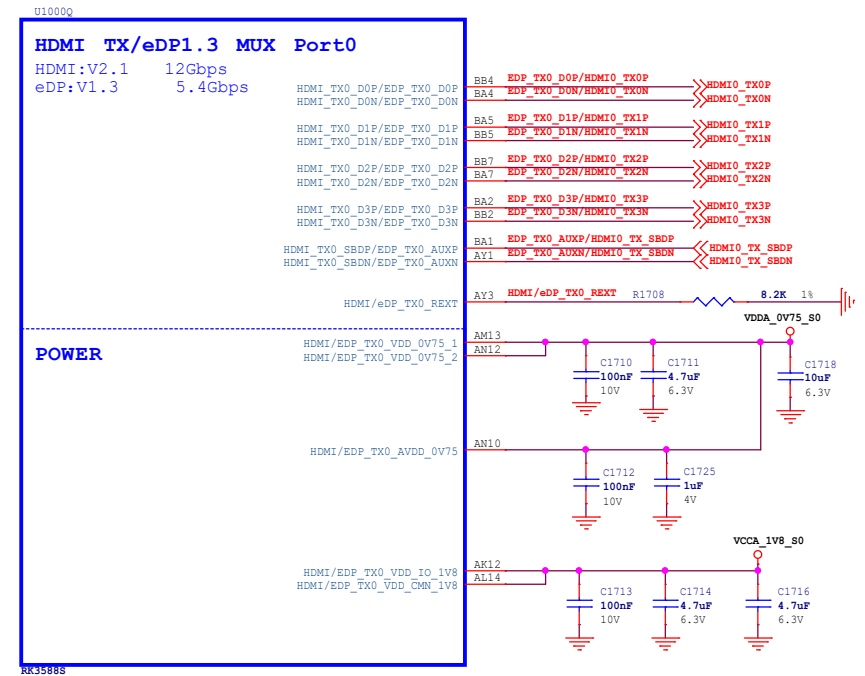
# RK3588S (MIPI\_D/C PHY0)



# RK3588S (PCIE20/SATA30/USB30)

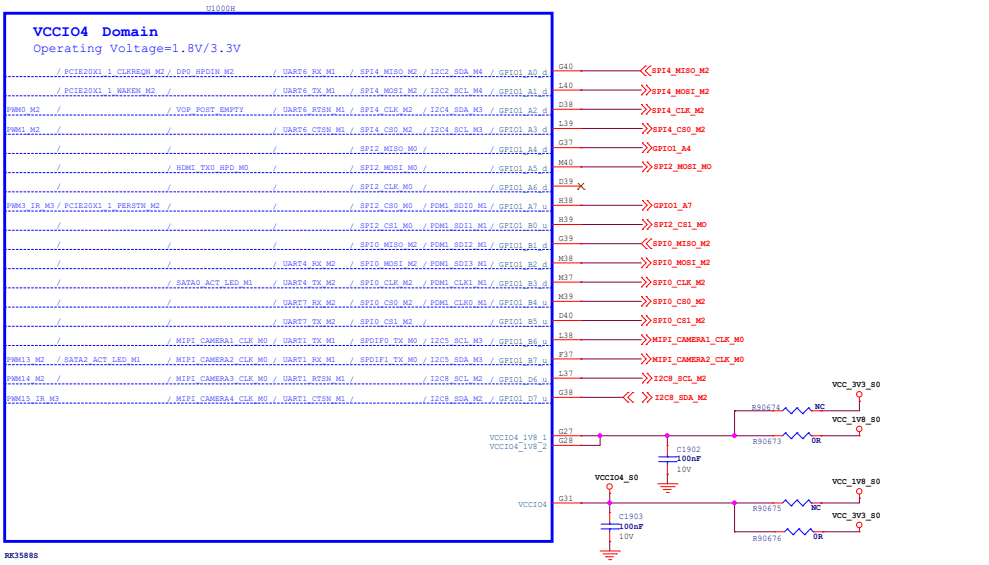


# RK3588S (HDMI2.1 TX/eDP1.3 TX)

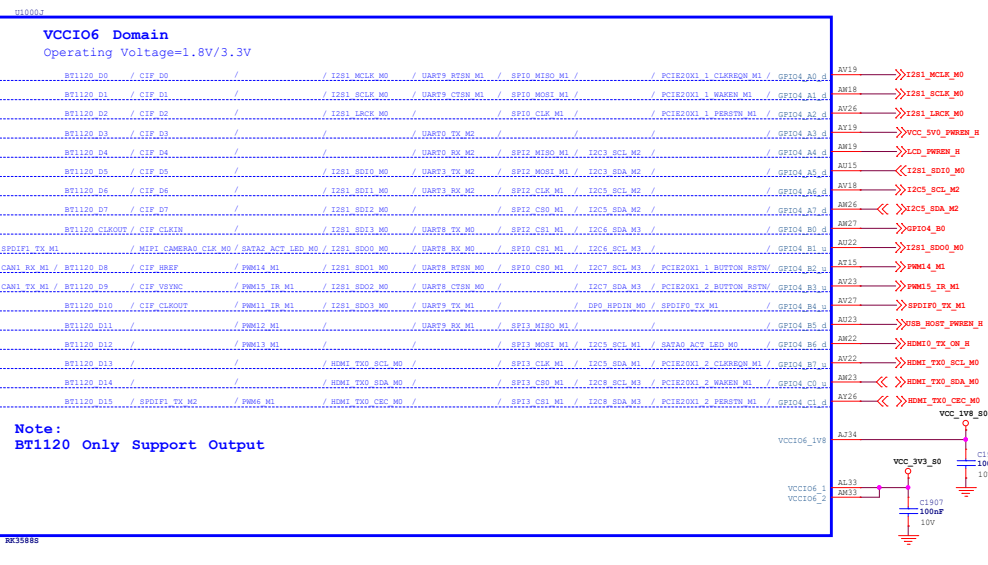


Size	Title: ROCK 5A	REV
A3	Page Name: RK3588S PCIE2/EDP/USB3	1.1
Date: Monday, April 24, 2023	Sheet 10	of 26

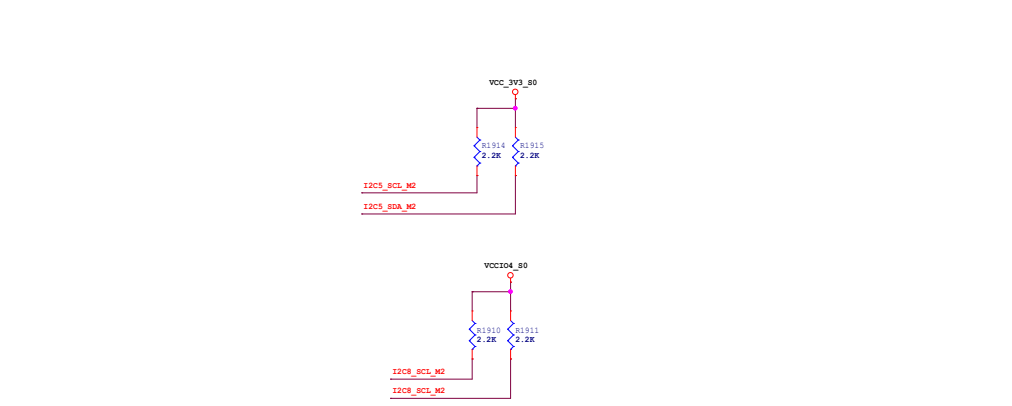
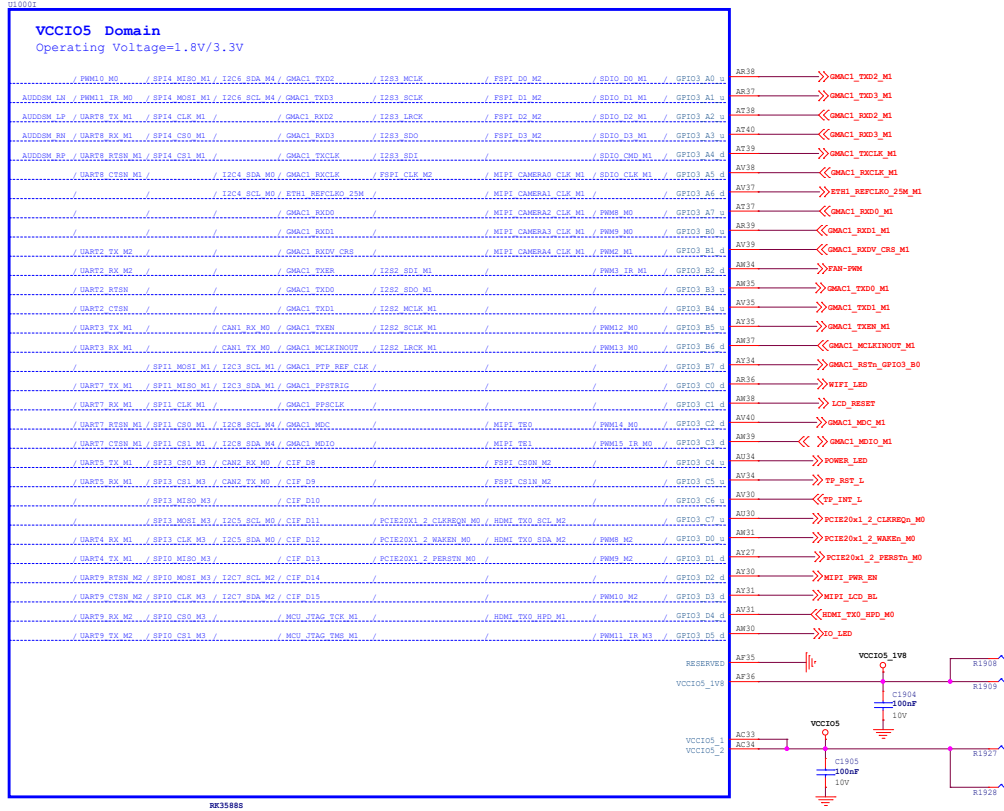
**RK3588S (VCCIO4 Domain)**



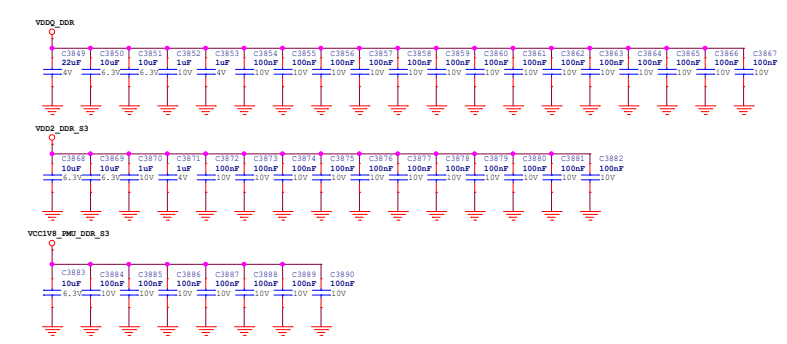
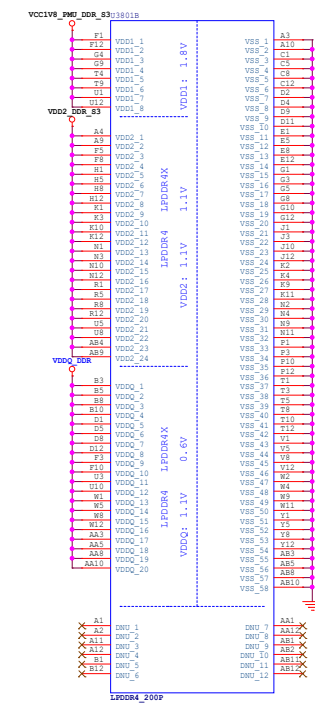
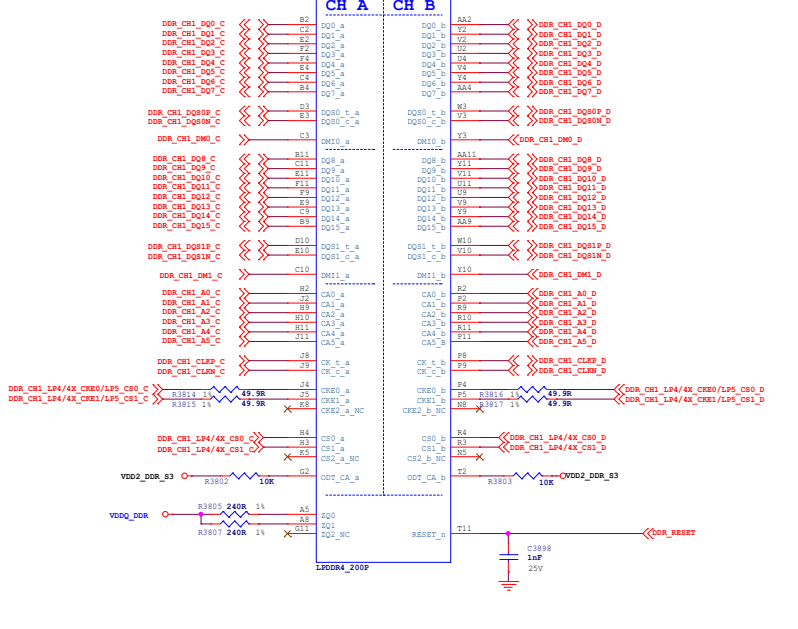
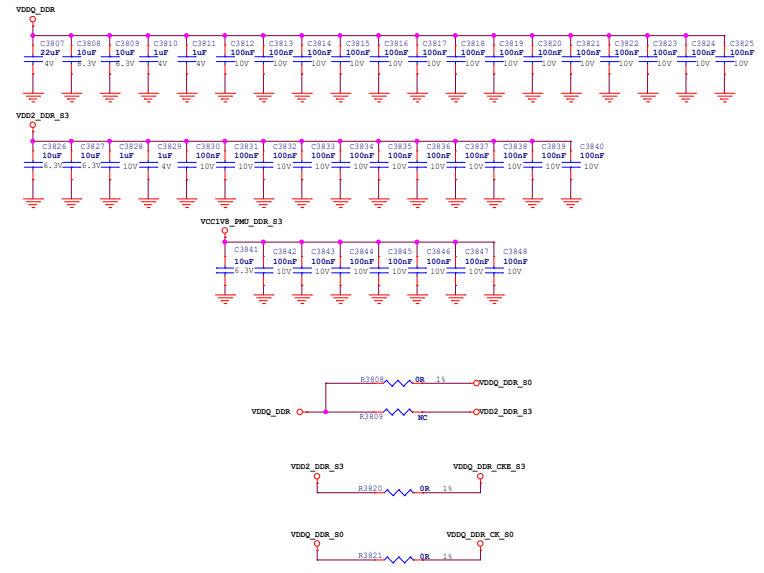
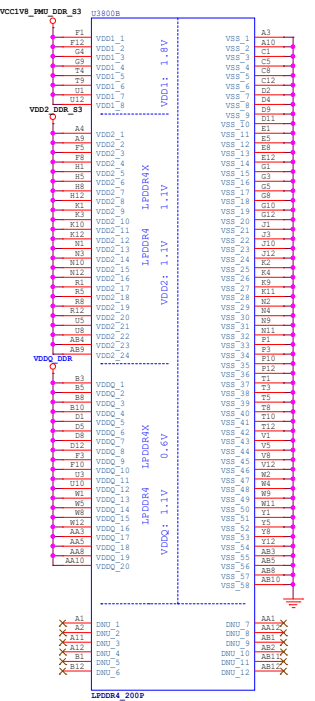
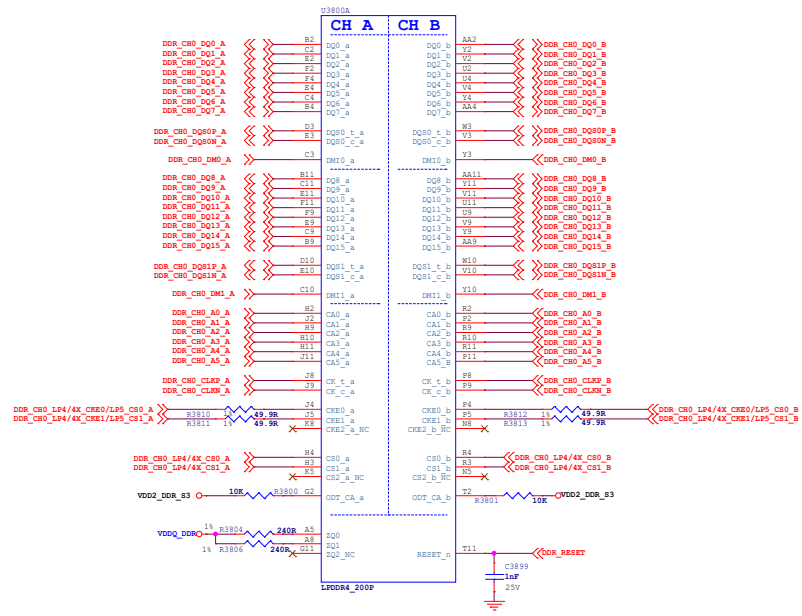
**RK3588S (VCCIO6 Domain)**



**RK3588S (VCCIO5 Domain)**



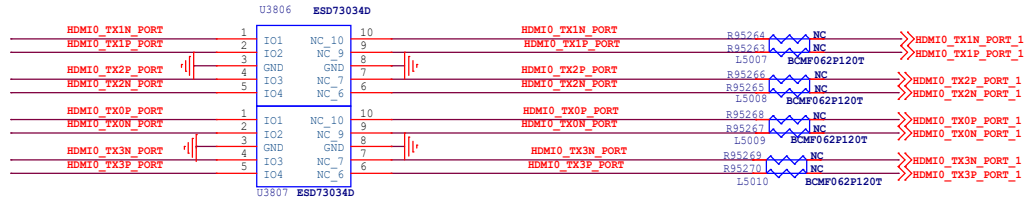
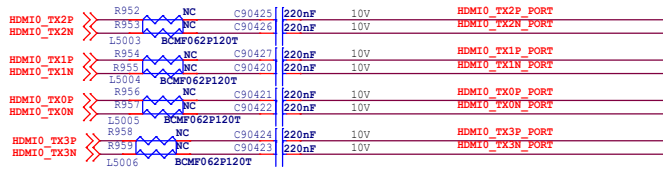
**DRAM-LPDDR4/4x\_2X32bit**



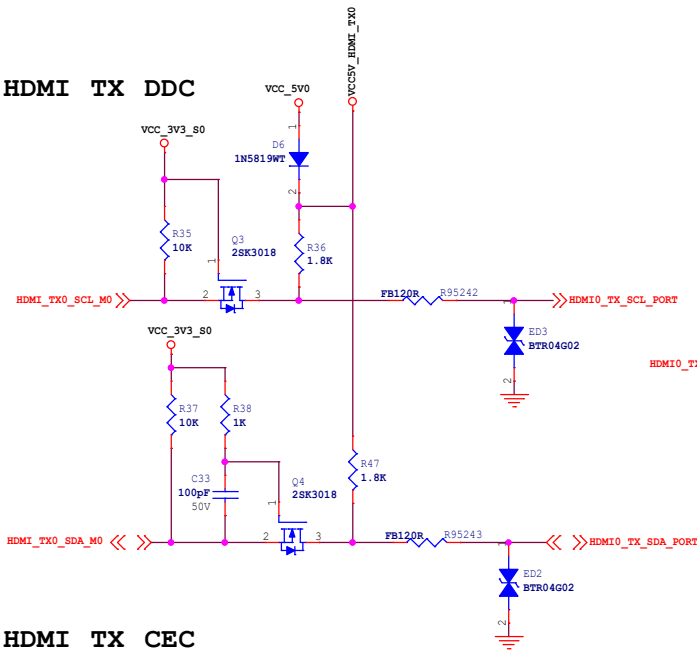
**radxa**

Size	Title: <b>ROCK 5A</b>	REV	
A2	Page Name: <b>DRAM-LPDDR4x_200P_2X32bit</b>	1.1	
Date: <b>Monday, April 24, 2023</b>		Sheet	12 of 26

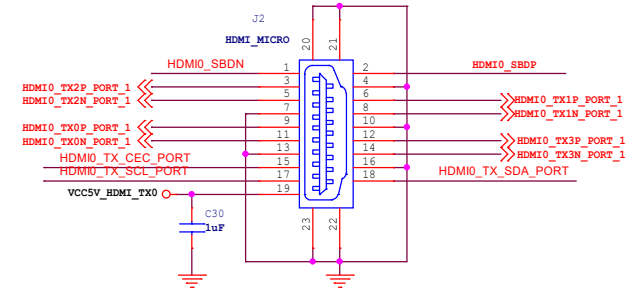
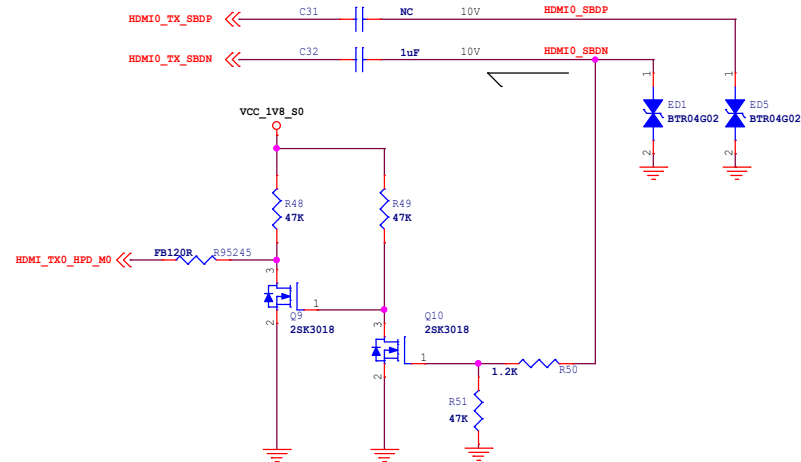
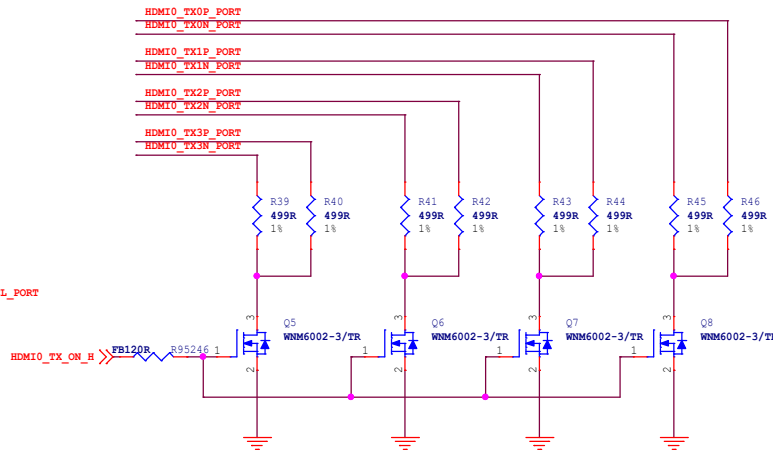
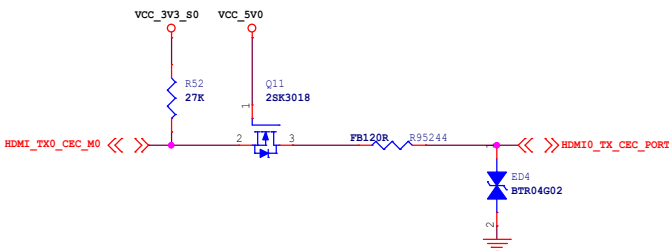
# HDMI2.1 TX0

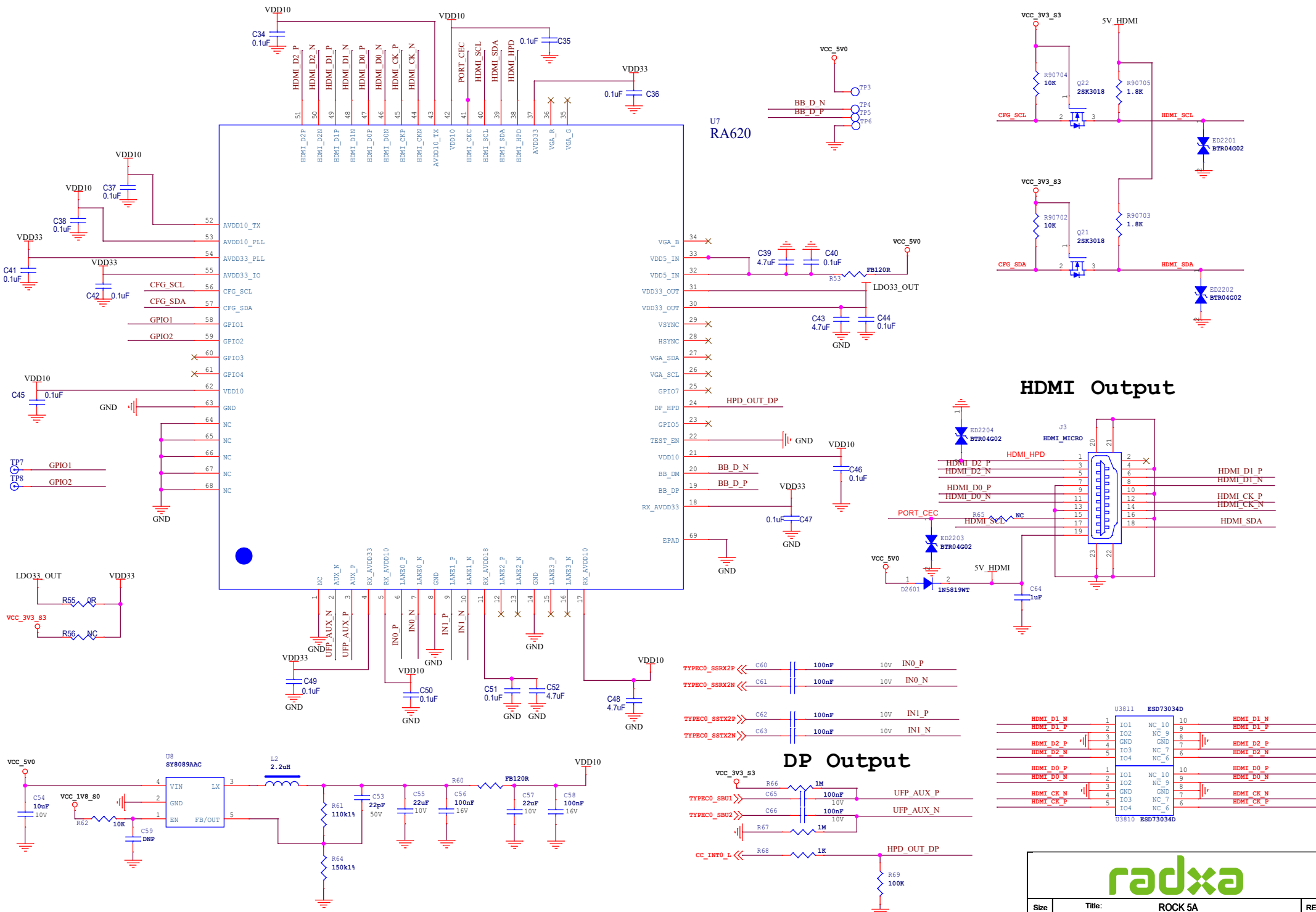


## HDMI TX DDC

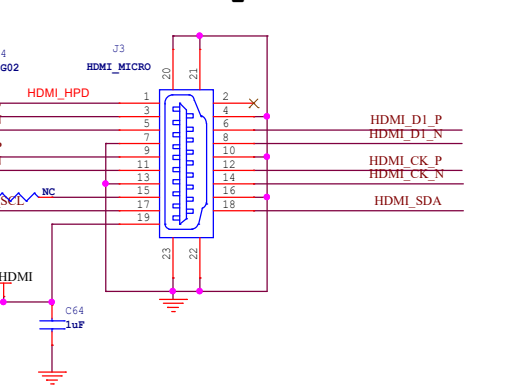


## HDMI TX CEC



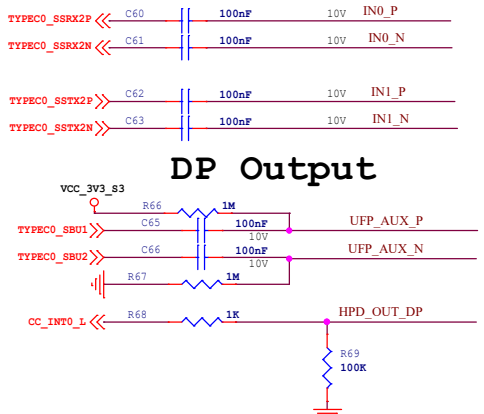



### HDMI Output



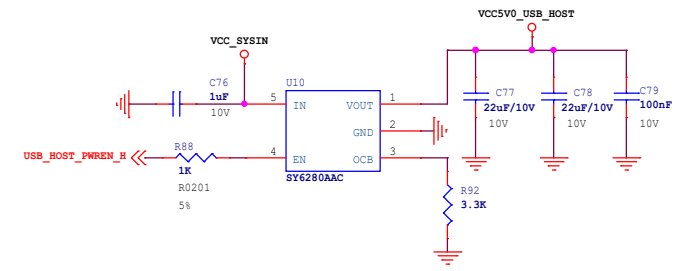
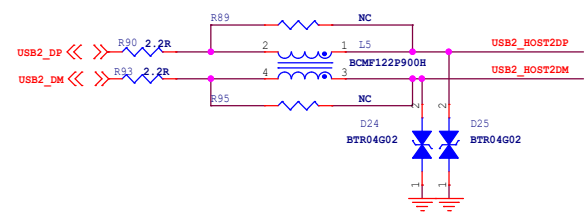
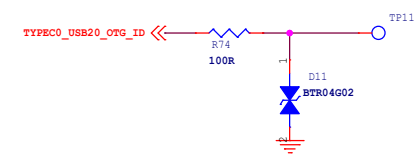
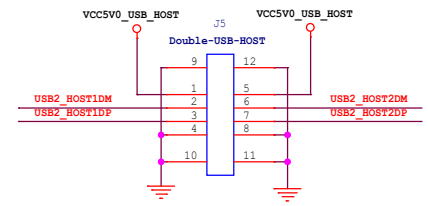
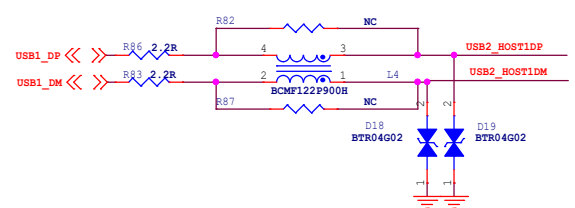
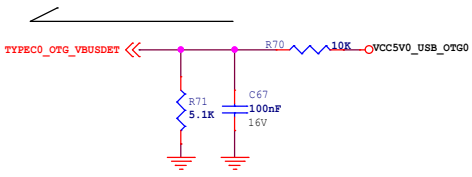
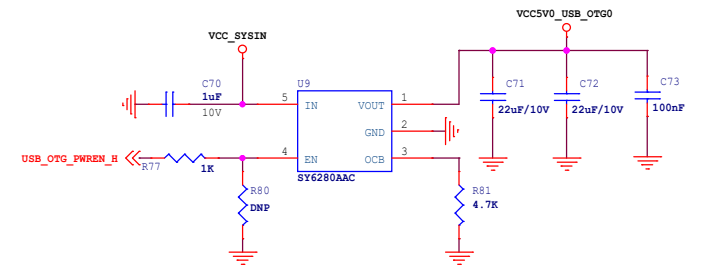
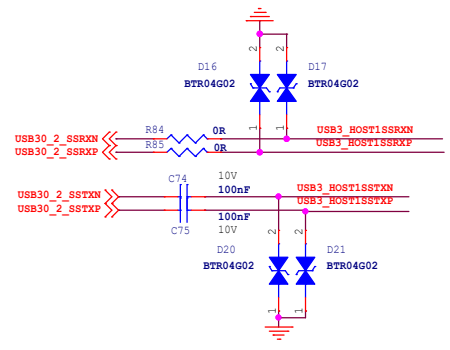
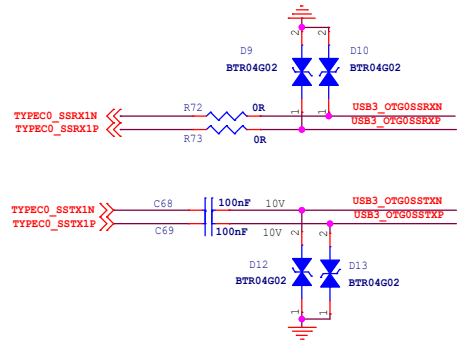
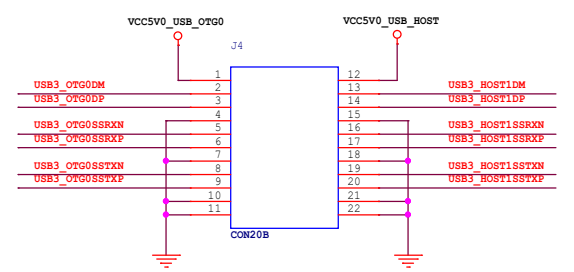
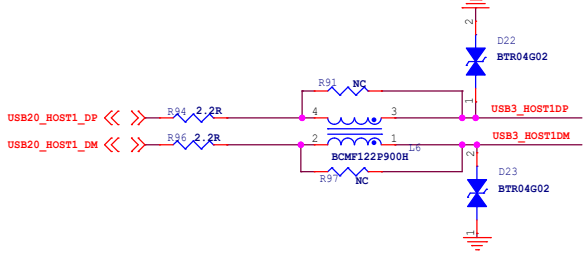
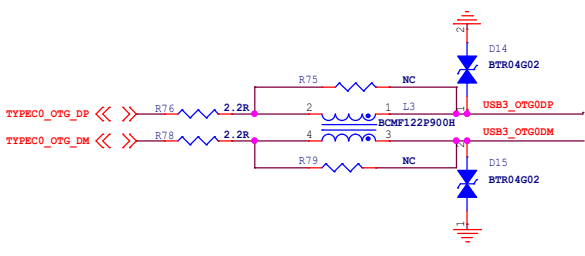
		U3811 ESD73034D			
HDMI_D1_N	1	I01	NC	10	HDMI_D1_N
HDMI_D1_P	2	I02	NC	9	HDMI_D1_P
	3	GND	NC	8	
HDMI_D2_P	4	I03	GND	7	HDMI_D2_P
HDMI_D2_N	5	I04	NC	6	HDMI_D2_N
			NC	6	
HDMI_D0_P	1	I01	NC	10	HDMI_D0_P
HDMI_D0_N	2	I02	NC	9	HDMI_D0_N
	3	GND	GND	8	
HDMI_CK_N	4	I03	NC	7	HDMI_CK_N
HDMI_CK_P	5	I04	NC	6	HDMI_CK_P

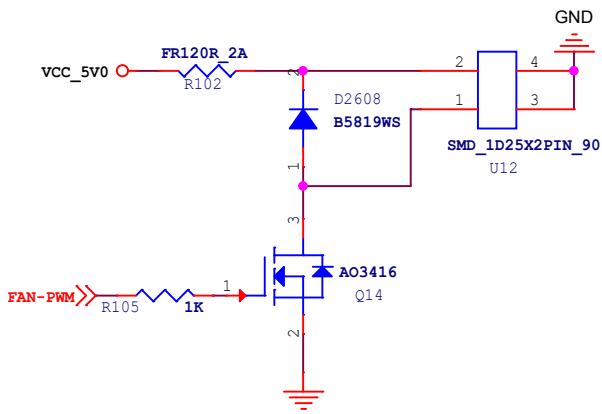
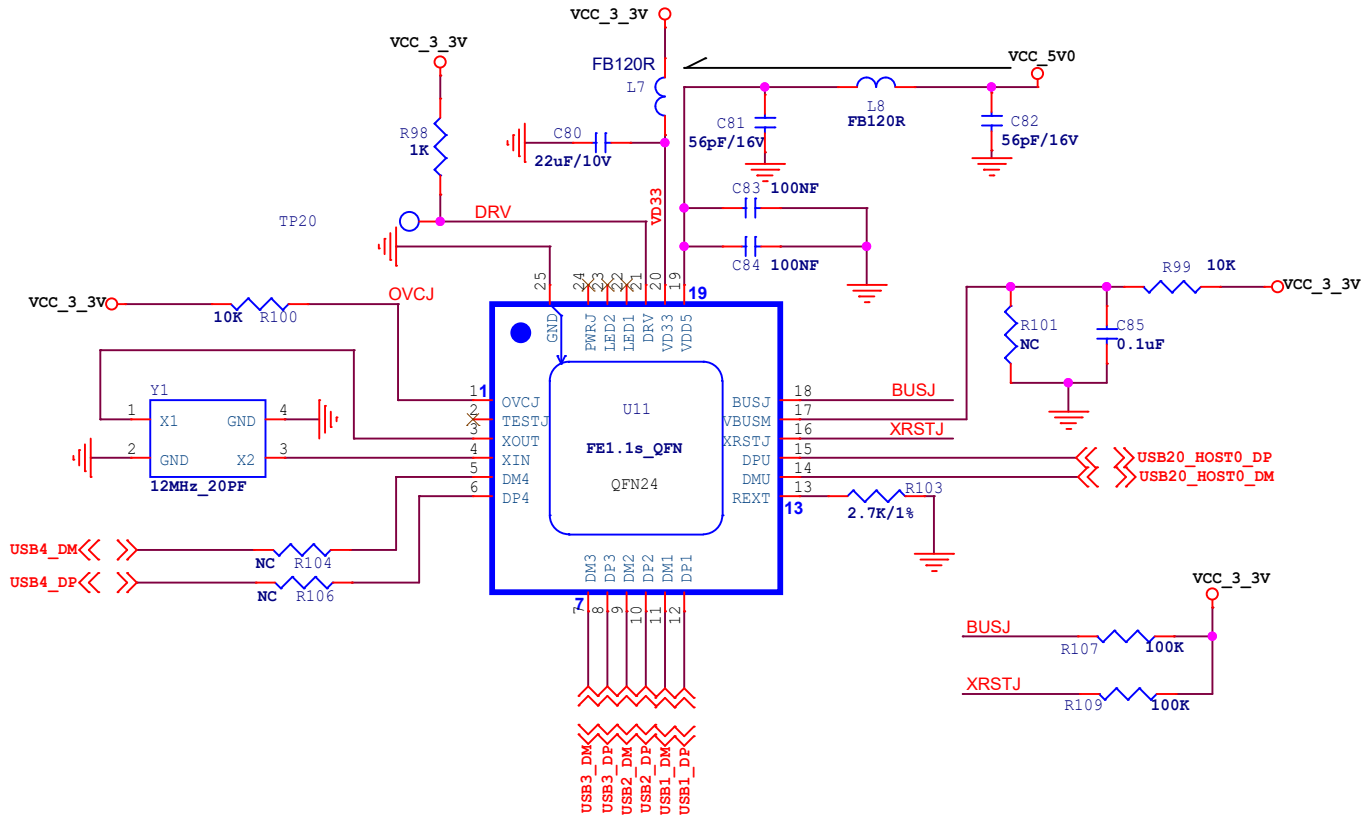
### DP Output





Size	Title: <b>ROCK 5A</b>	REV
A3	Page Name: <b>DP to HDMI</b>	1.1
Date: Monday, April 24, 2023	Sheet 14	of 26

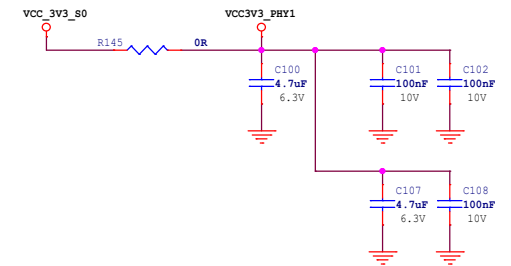
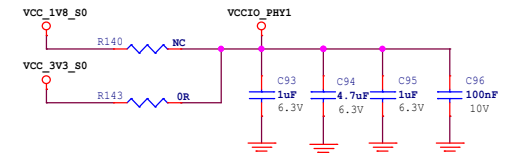
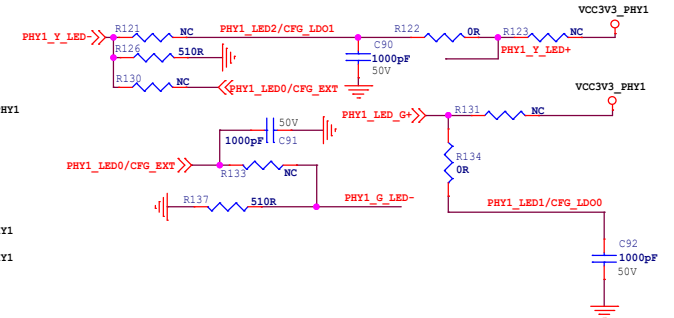
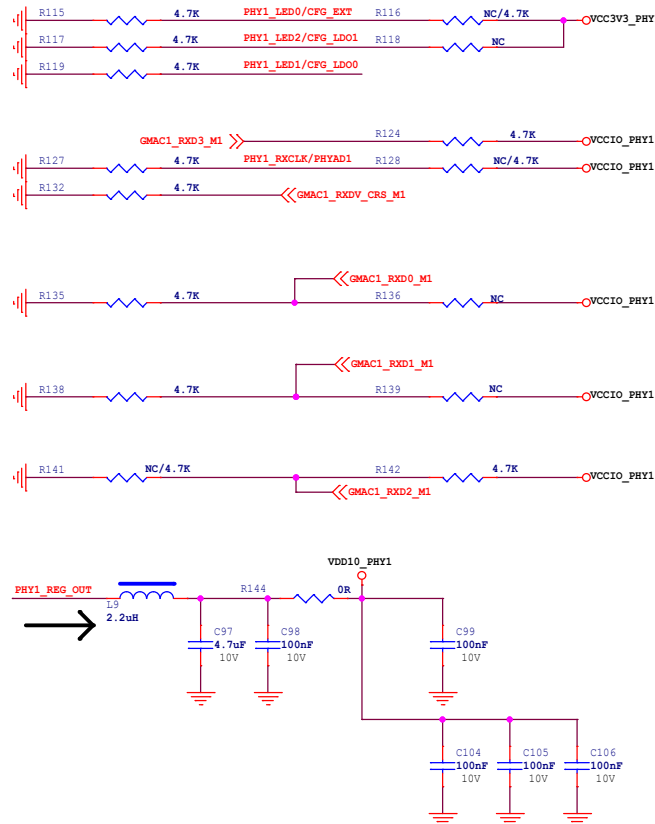
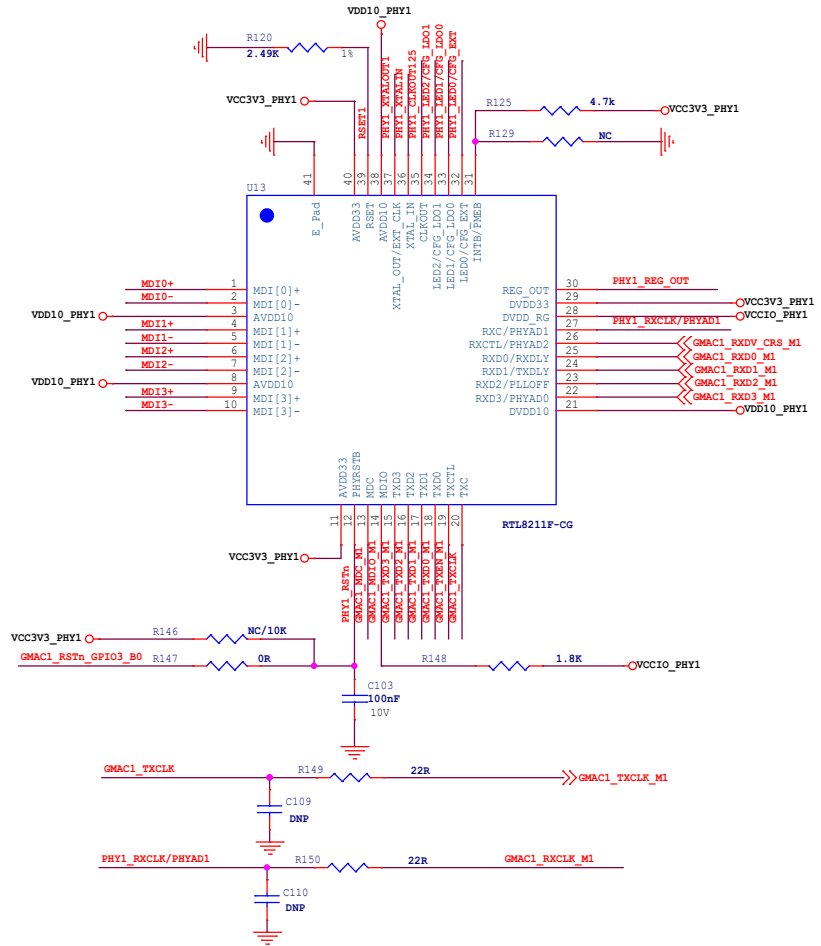
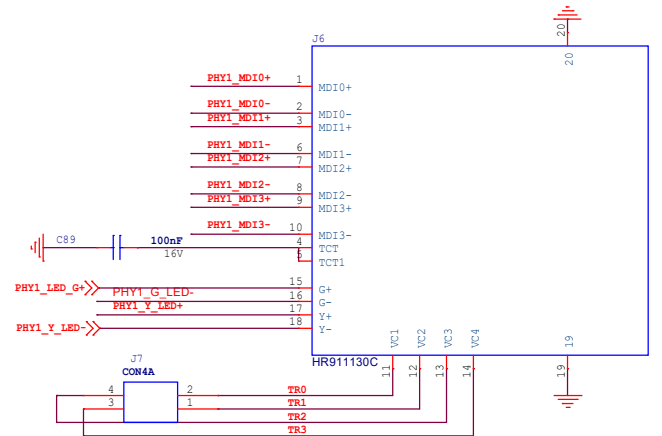
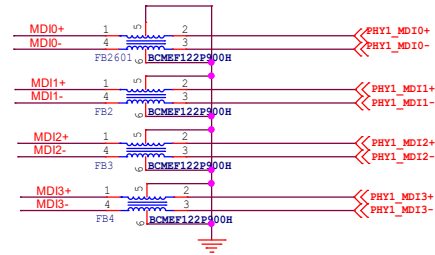
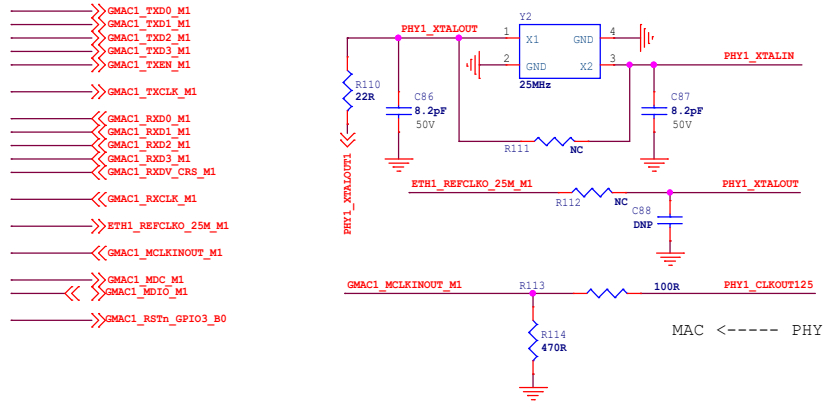




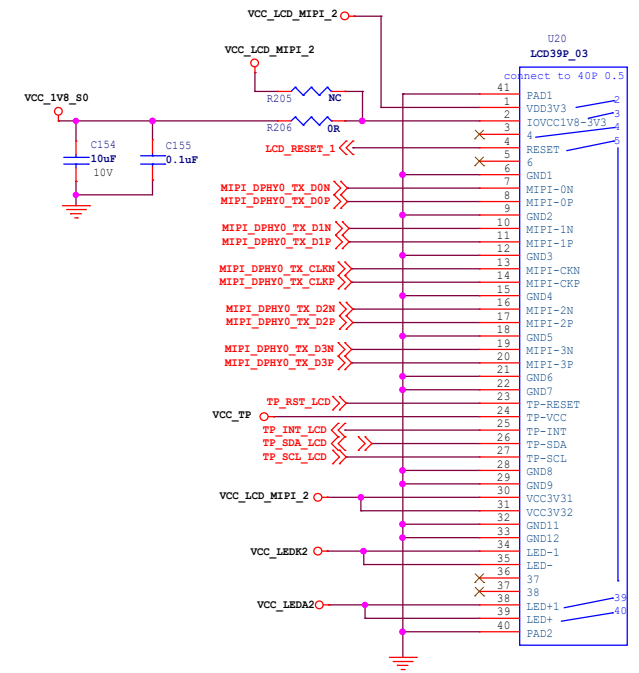
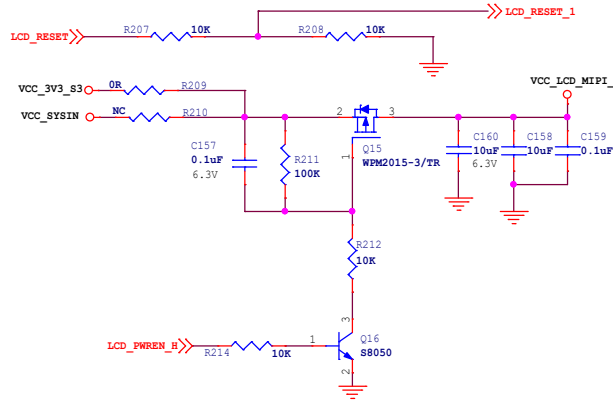
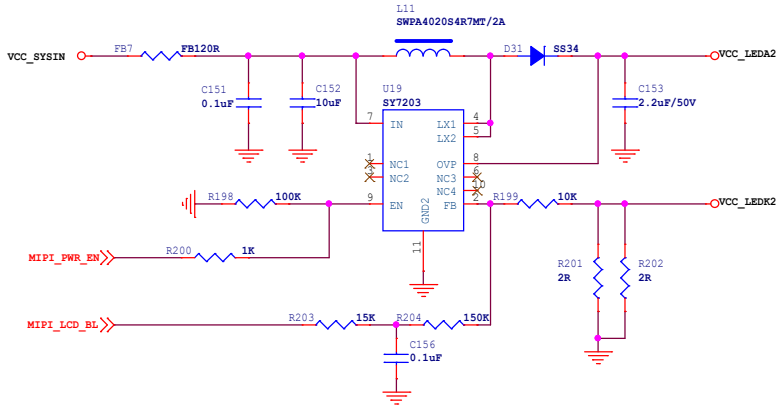
Size	Title:	ROCK 5A
A4	Page Name:	USB HUB_FAN
Date:	Monday, April 24, 2023	Sheet 16 of 26
	REV	1.1



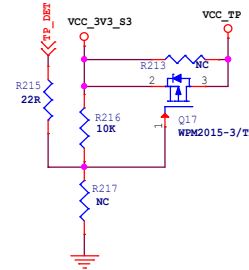
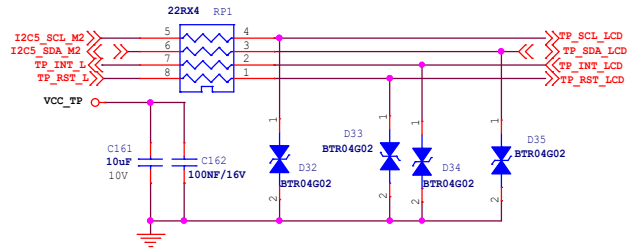
# Giga PHY1



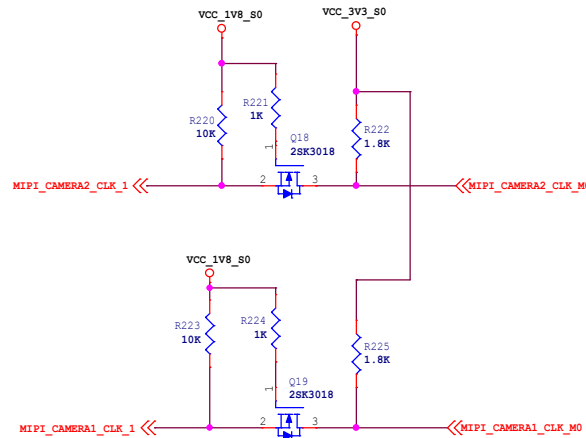
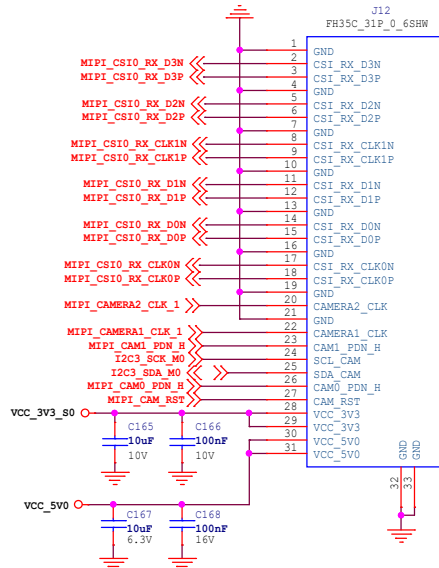
# MIPI\_LCD\_TX1



# LCD\_TP

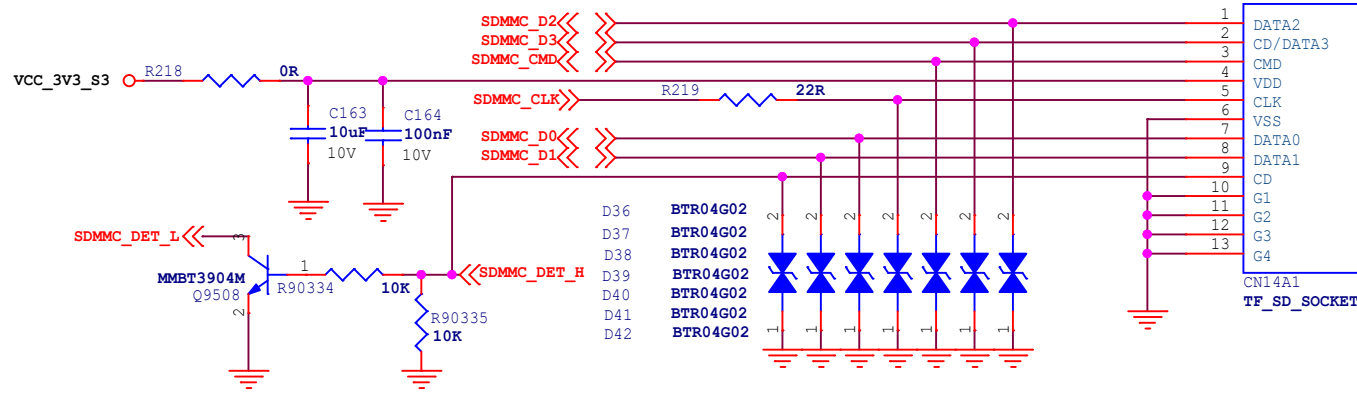


# MIPI\_RX

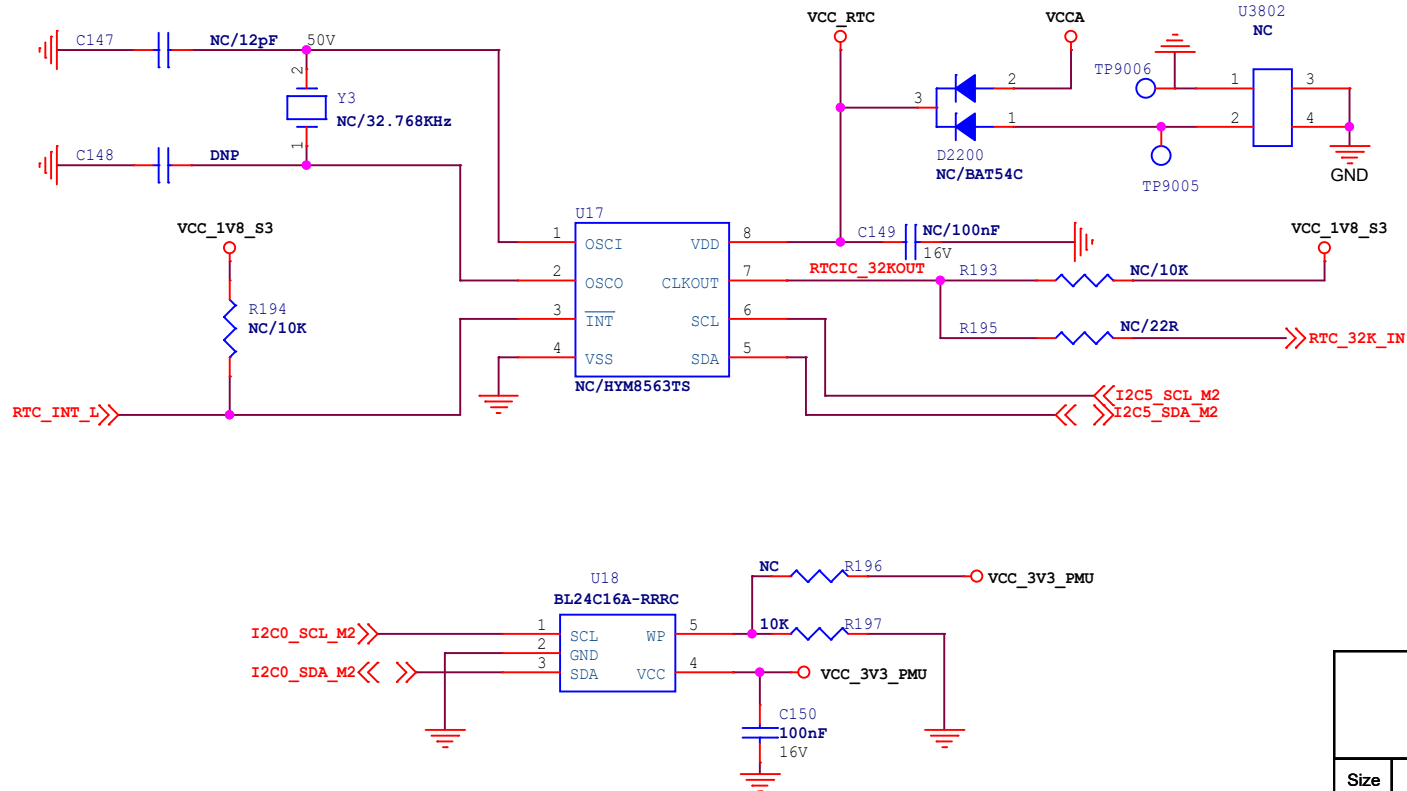


Size	Title:	ROCK 5A	REV
A3	Page Name:	MIPI_LCD	1.1
Date:	Monday, April 24, 2023	Sheet	18 of 26

# MicroSD Card

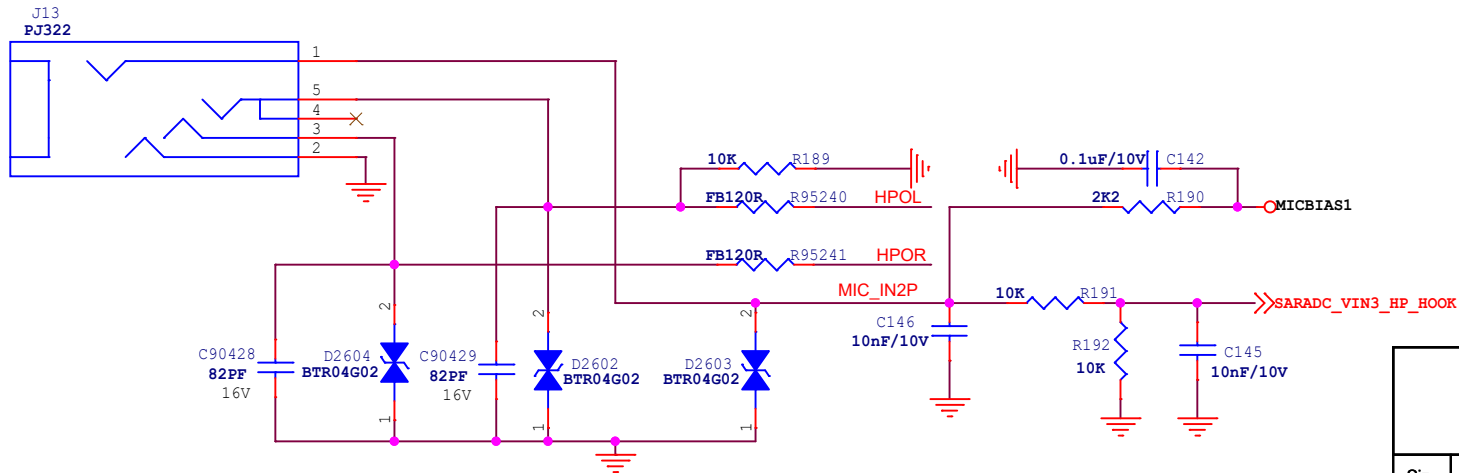
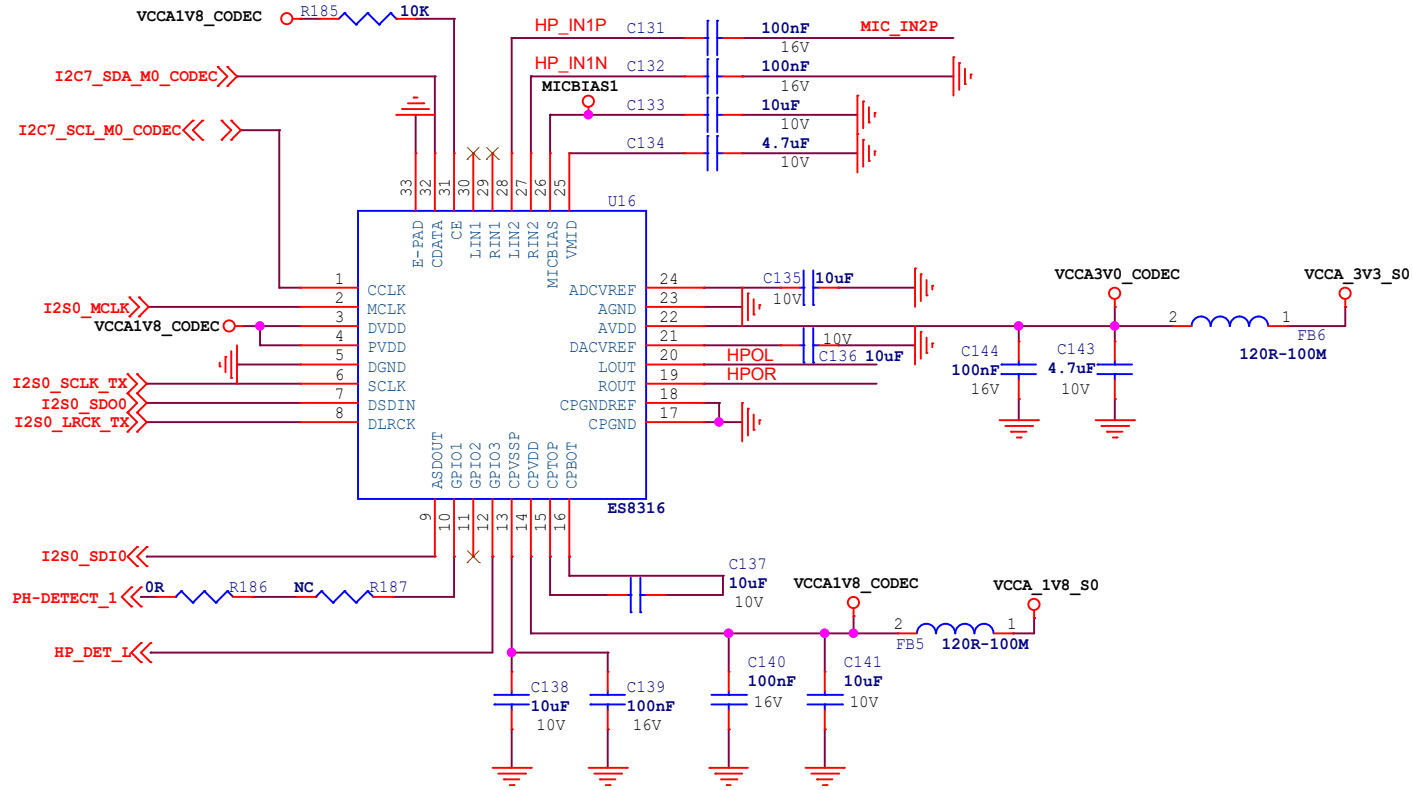


# RTC IC



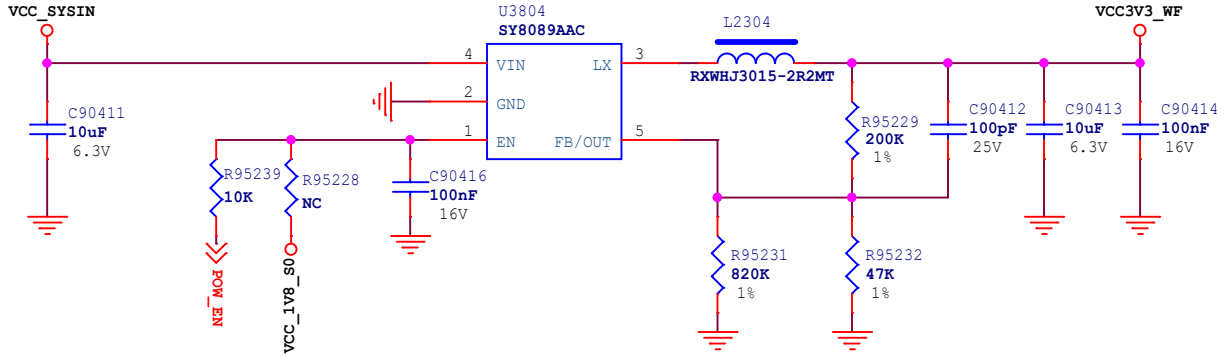
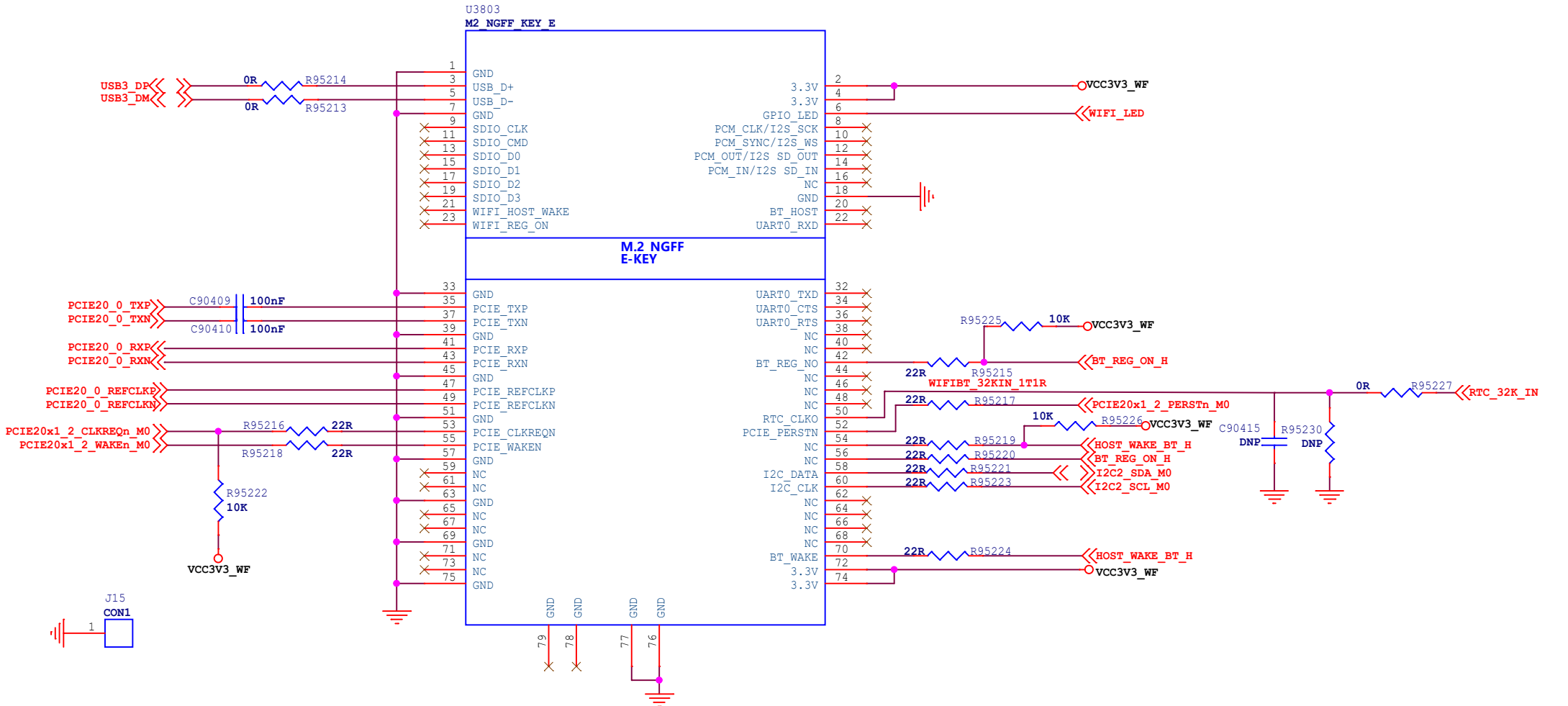
Size	Title: ROCK 5A	REV
A4	Page Name: TF/RTC	1.1
Date: Monday, April 24, 2023		Sheet 19 of 26

# CODEC ES8316



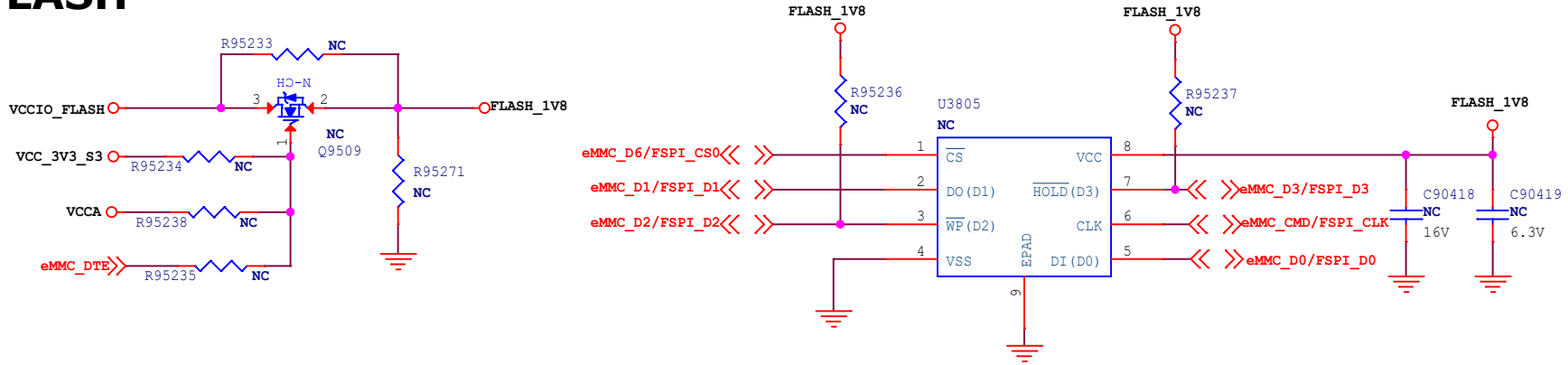
radxa

Size	Title:	ROCK 5A	REV
A4	Page Name:	Audio ES8316	1.1
Date:		Monday, April 24, 2023	Sheet 20 of 26

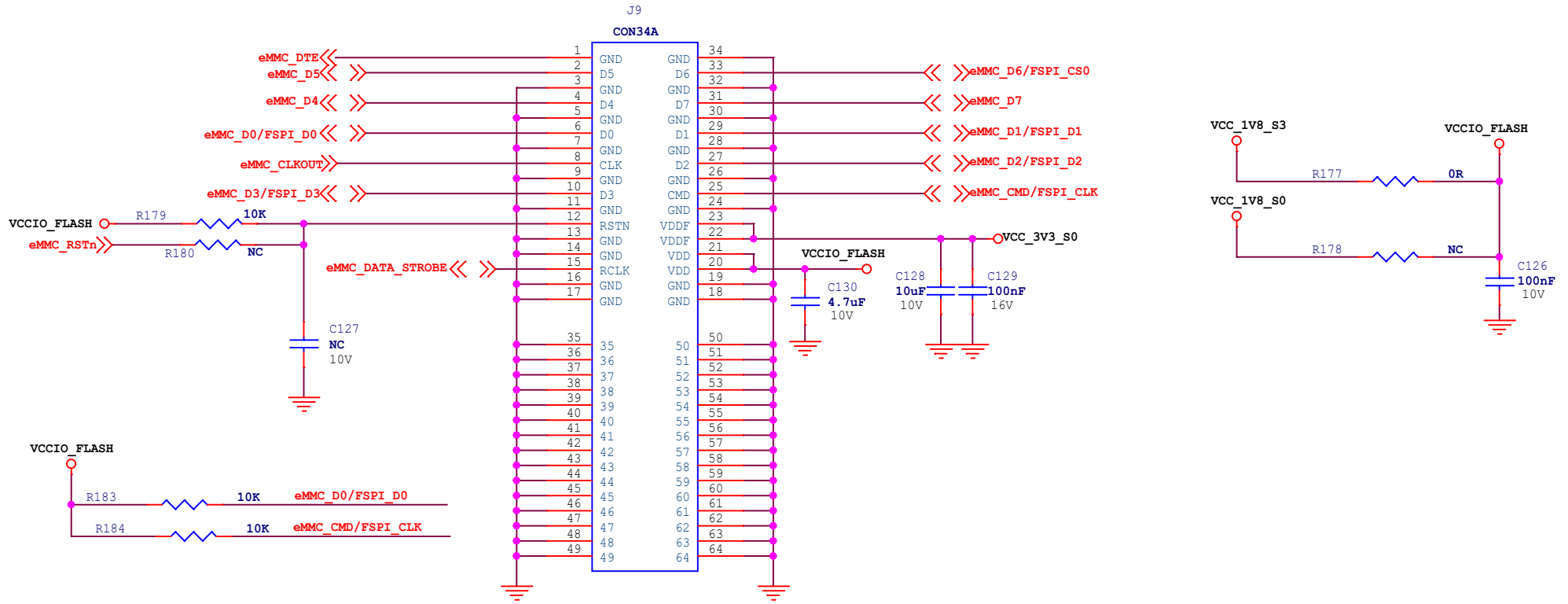


Size	Title:	ROCK 5A	REV
A4	Page Name:	M.2 E Key	1.1
Date:	Monday, April 24, 2023	Sheet	21 of 26

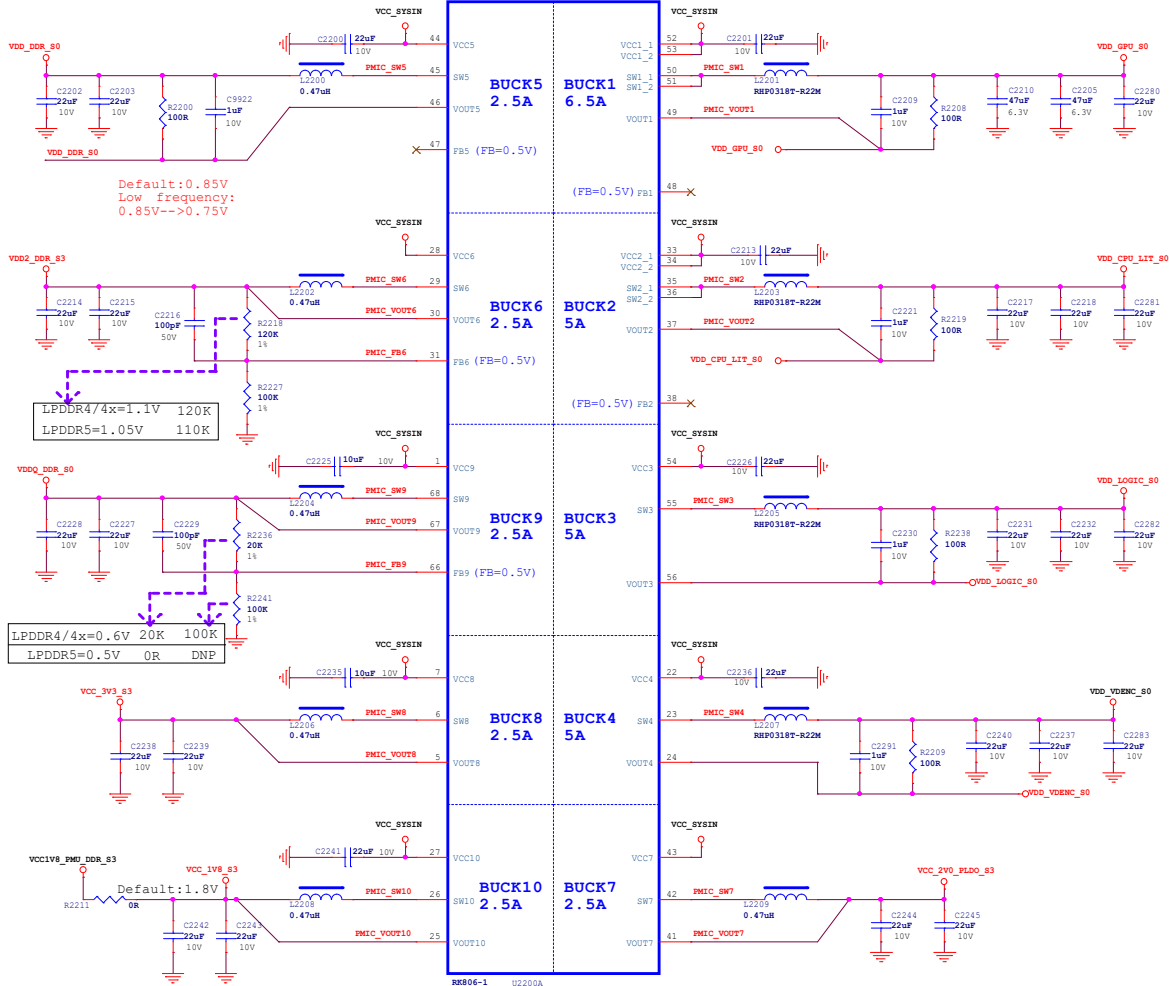
# SPI FLASH



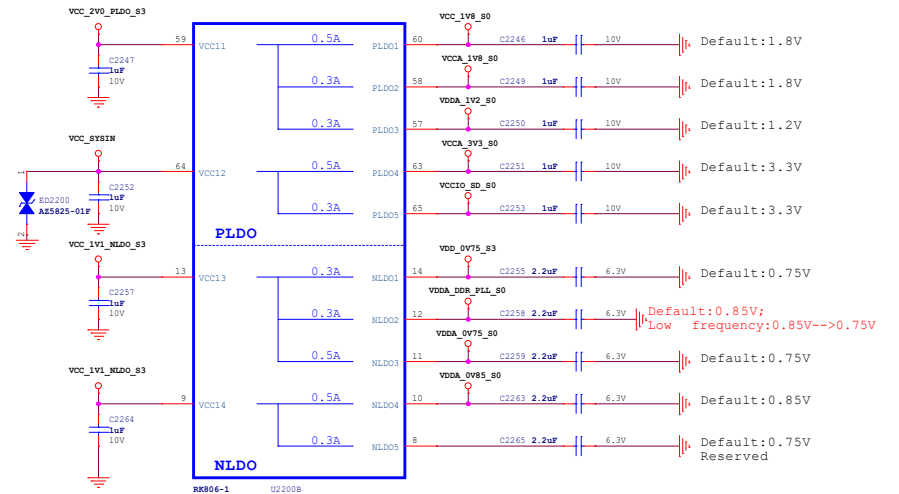
# eMMC Flash



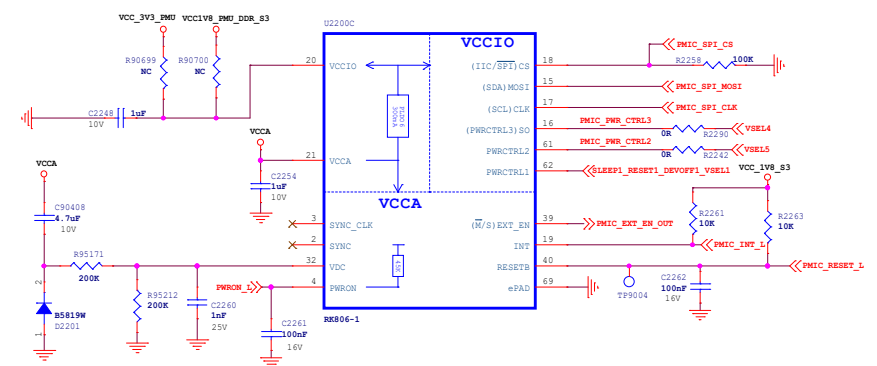
# PMIC RK806-1 BUCK



# PMIC RK806-1 LDO

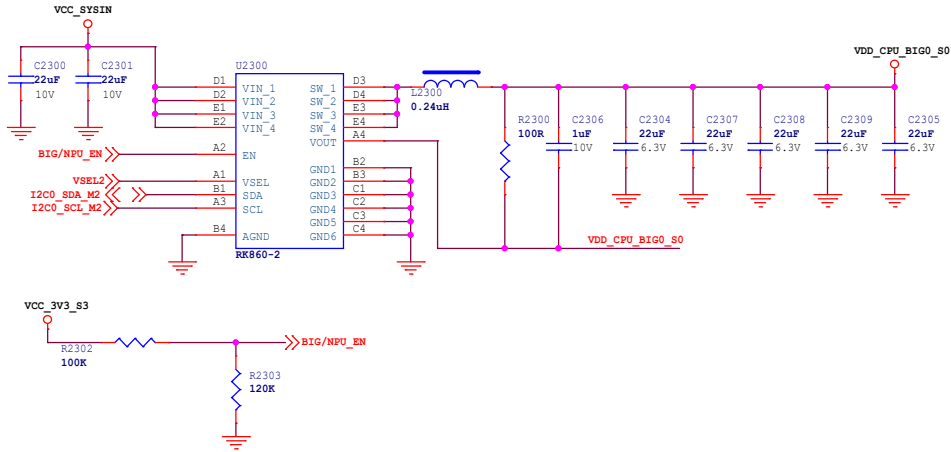


# PMIC RK806-1 Management

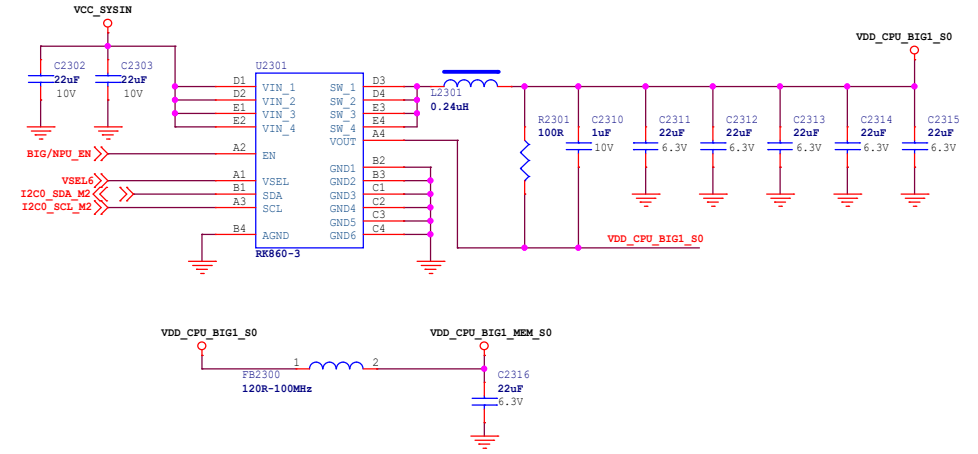


Size	Title:	ROCK 5A	REV
Custom	Page Name:	Power_PMIC	1.1
Date:	Monday, April 24, 2023	Sheet	23 of 26

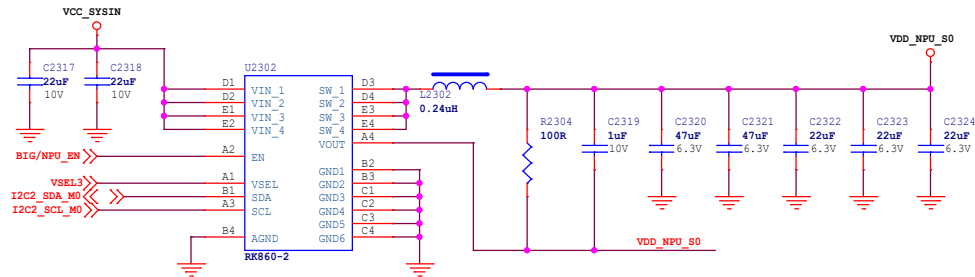
## VDD\_CPU\_BIG0



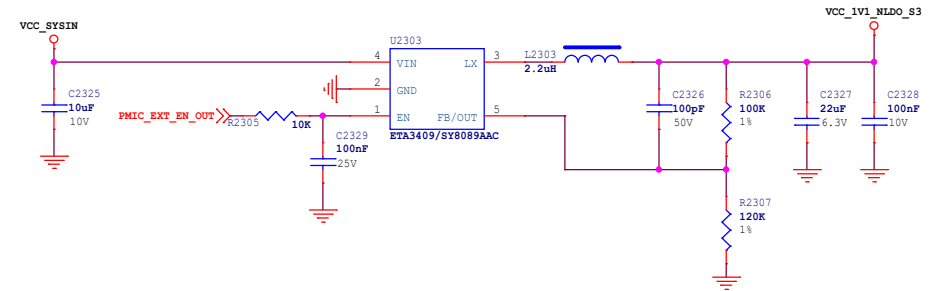
## VDD\_CPU\_BIG1



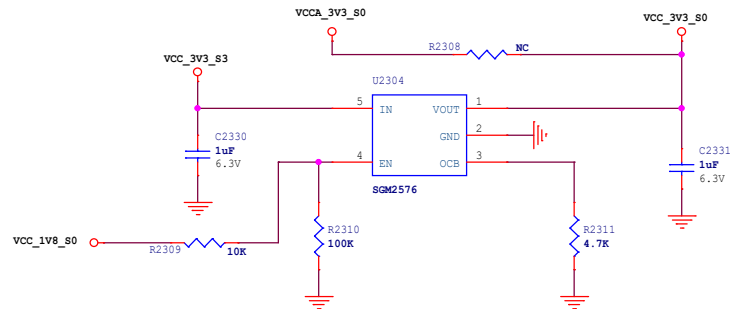
## VDD\_NPU



## VCC\_1V1\_NLDO



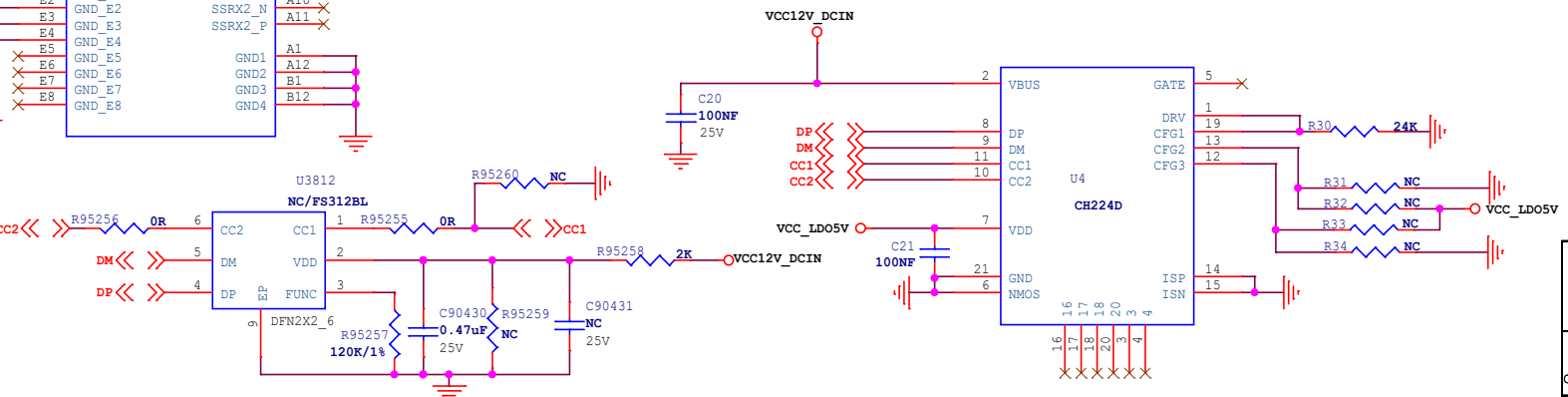
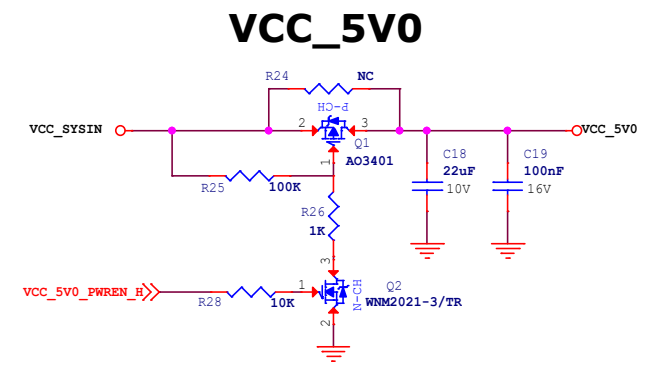
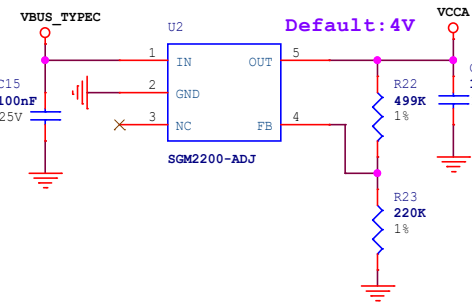
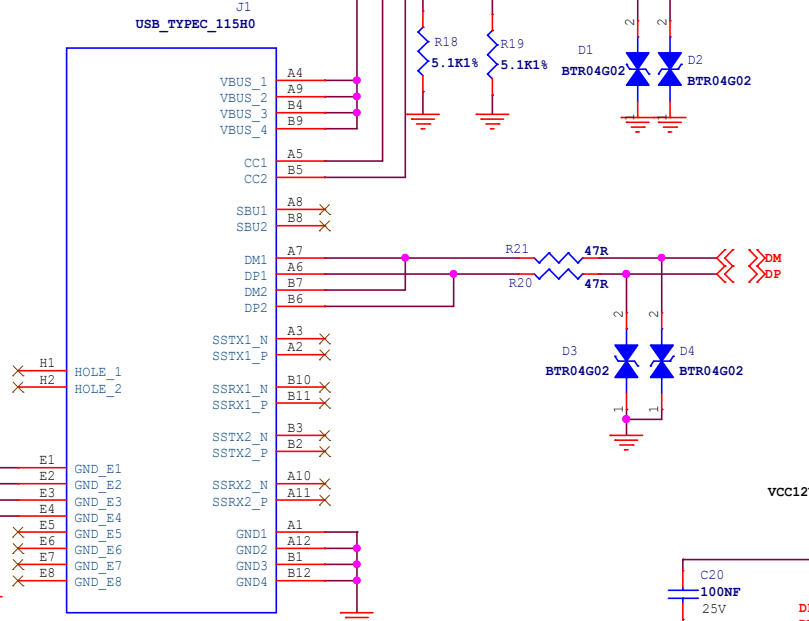
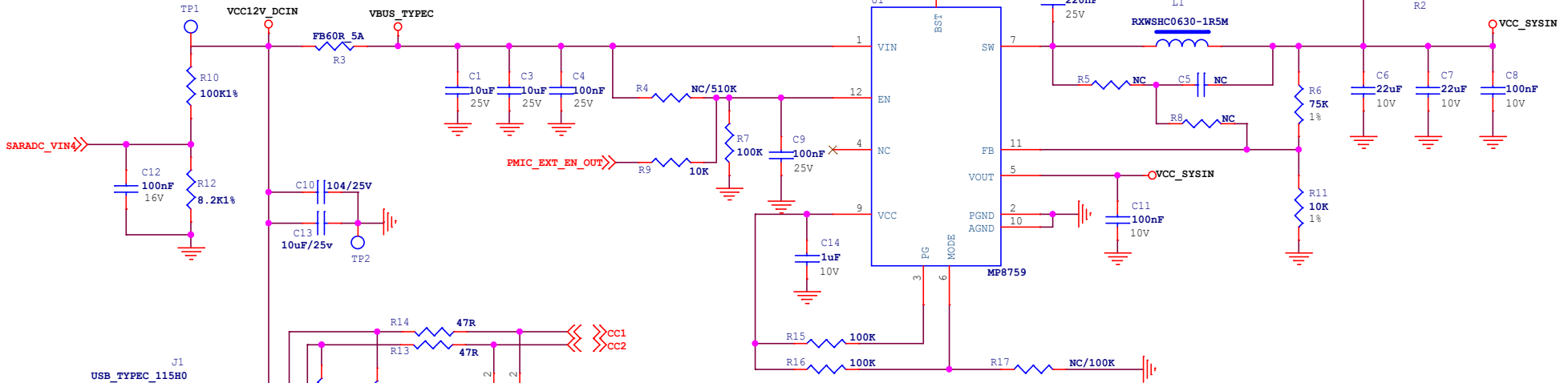
## VCC\_3V3\_S0



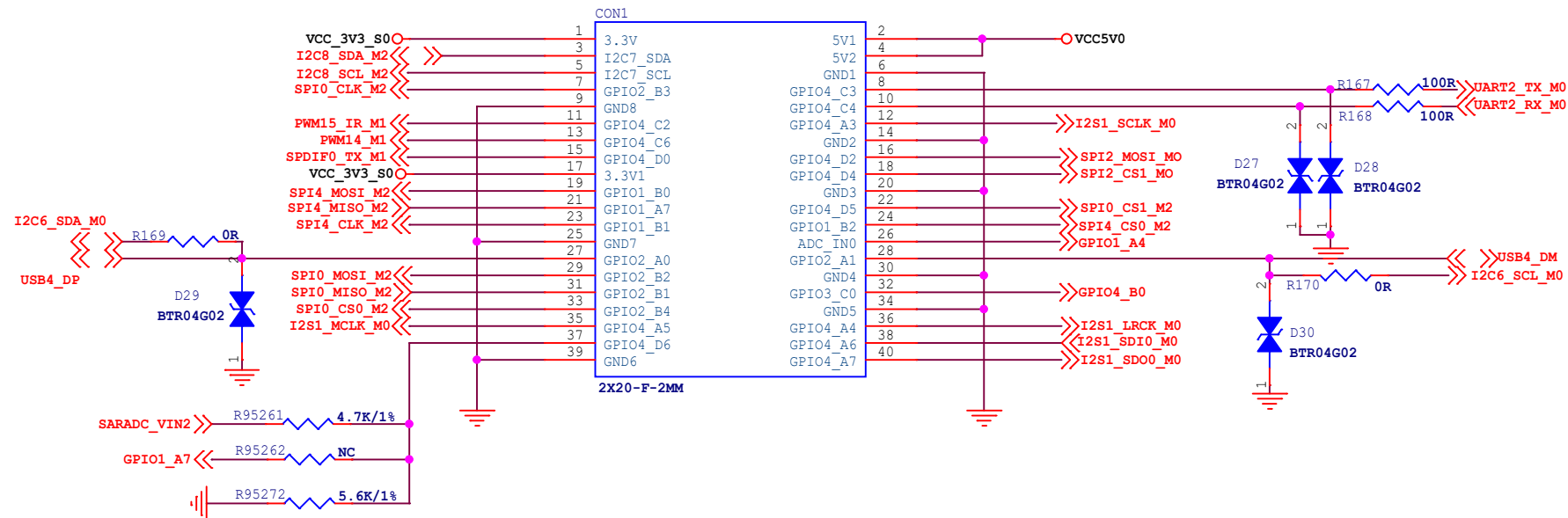
Size	Title:	ROCK 5A	REV
A3	Page Name:	Power_Ext	1.1
Date:	Monday, April 24, 2023	Sheet	24 of 26



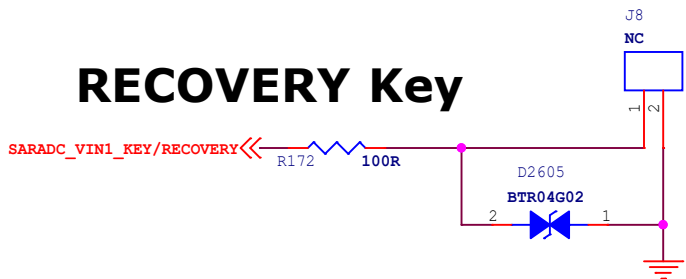
# DC IN



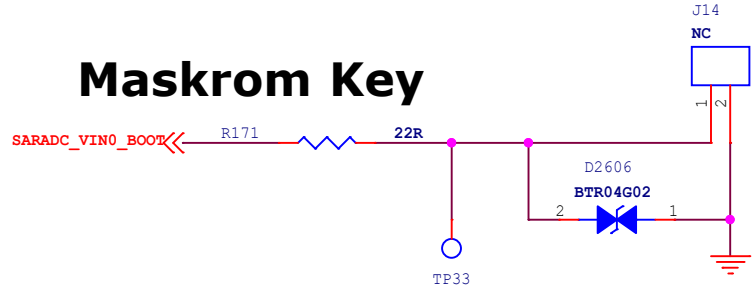
Size	Title: ROCK 5A	REV
Custom	Page Name: Power_DC IN	1.1
Date: Monday, April 24, 2023	Sheet 25	of 26



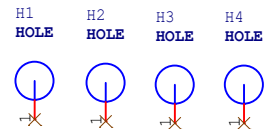
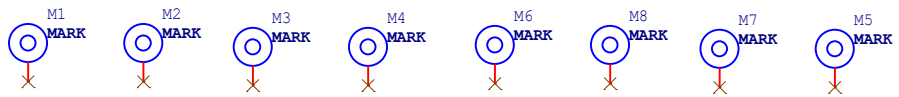
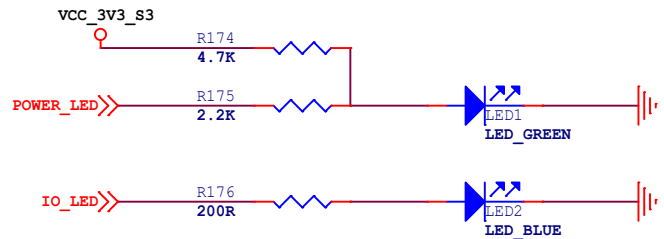
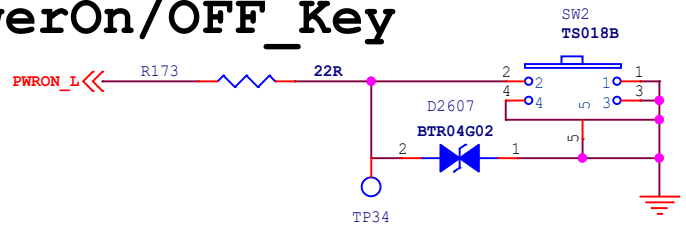
### RECOVERY Key




### Maskrom Key



### PowerOn/OFF\_Key





<b>Size</b>	<b>Title:</b> ROCK 5A	<b>REV</b>
A4	<b>Page Name:</b> 40PIN Connect	1.1
<b>Date:</b> Monday, April 24, 2023		<b>Sheet</b> 26 of 26