

Hall effect Unit

SKU:U084



Description

Hall effect Unit integrated with three A3144E Hall sensor switches which are processed by 74HC series gate integrated circuits.

Low-level signal can be generated when the magnet S pole is close to the top of the sensor or the N pole is close to the back, and the internal LED indicator will light up.

It is widely used in applications such as door sensor alarms, proximity sensors, rotation speed measurement and so on. The front side is the North pole, and the low level is output when the south pole signal of the magnetic field is sensed.

Produce Future

- Unipolar Hall switch sensor
- Fast response and high sensitivity
- Status indicator
- Low-level output
- Lego compatible

Include

- 1x Hall effect Unit
- 1x GROVE Cable(20cm)
- 1x Magnet

Application

- Door sensor alarm
- Magnetic field proximity sensing
- Speed measurement

Specification

| Specification | Parameter |
|-------------------|------------|
| Hall sensor | A3144E * 3 |
| Logic IC | 74HC08D |
| Status indication | RED LED |
| Output Level | Active Low |
| Net weight | 4g |
| Gross weight | 17g |
| Product Size | 24*32*8mm |
| Package Size | 67*52*11mm |

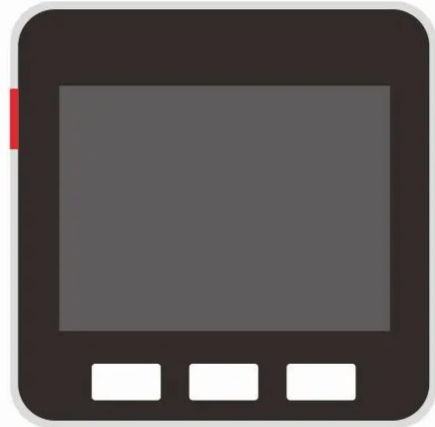
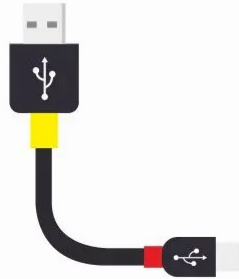
EasyLoader

EasyLoader is a concise and fast program writer, which has a built-in case program related to the product. It can be burned to the main control by simple steps to perform a series of function verification. Please install the corresponding driver according to the device type. M5Core host [Please click here to view the CP210X driver installation tutorial](#), M5StickC/V/T/ATOM series can be used without driver)

2, Select COM



1, Downloads



Core \ M5StickC \ M5StickV...

3, Burn Firmware

Windows MacOS

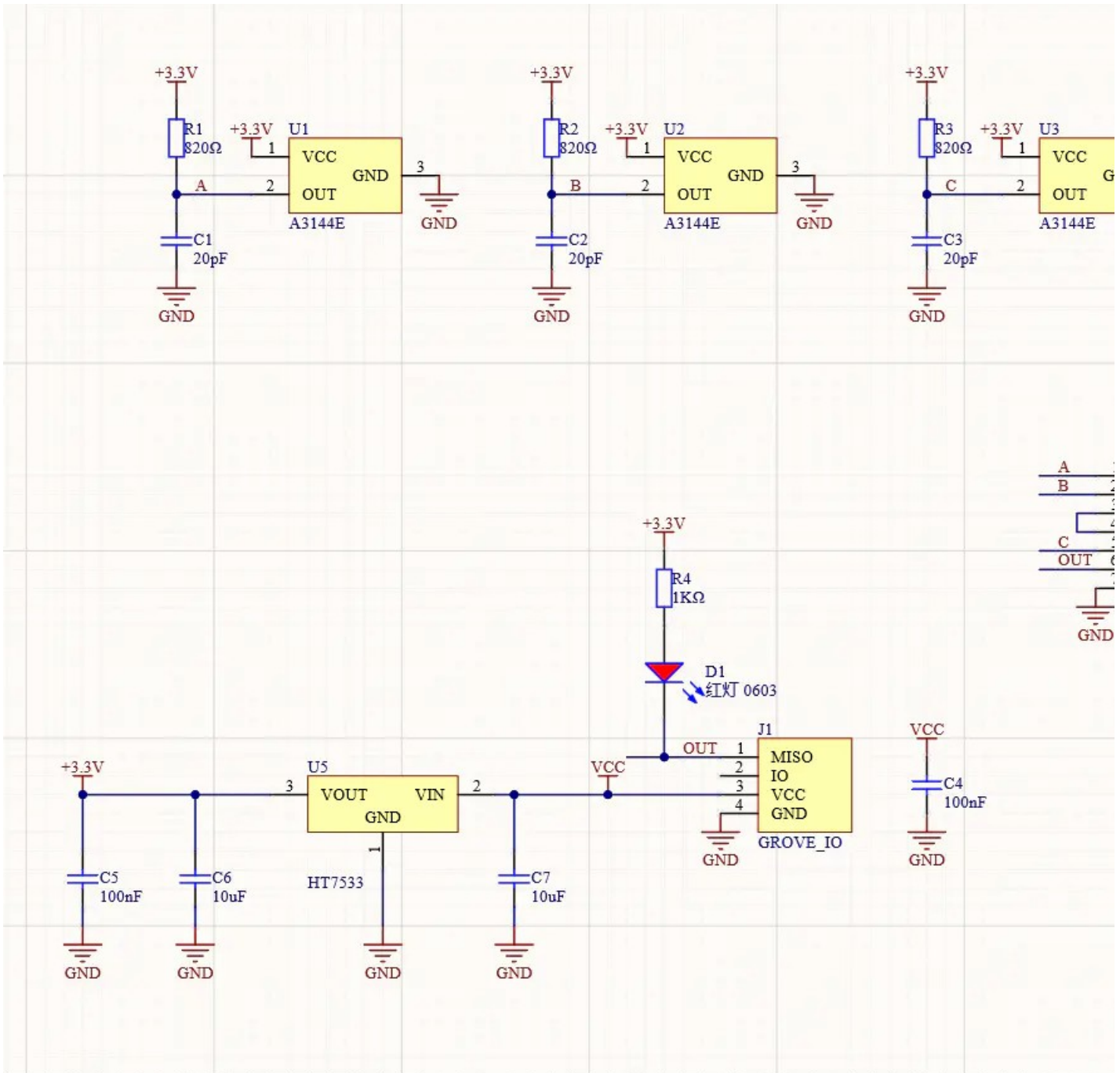
PinMap

| | | | | |
|------------------|--------|--------|-----|-----|
| M5Core (PORT B) | GPI026 | GPI036 | 5V | GND |
| Hall effect Unit | INPUT | 5V | GND | |

Related Links

- **Datasheet**
 - [A3144E](#)

Schematic



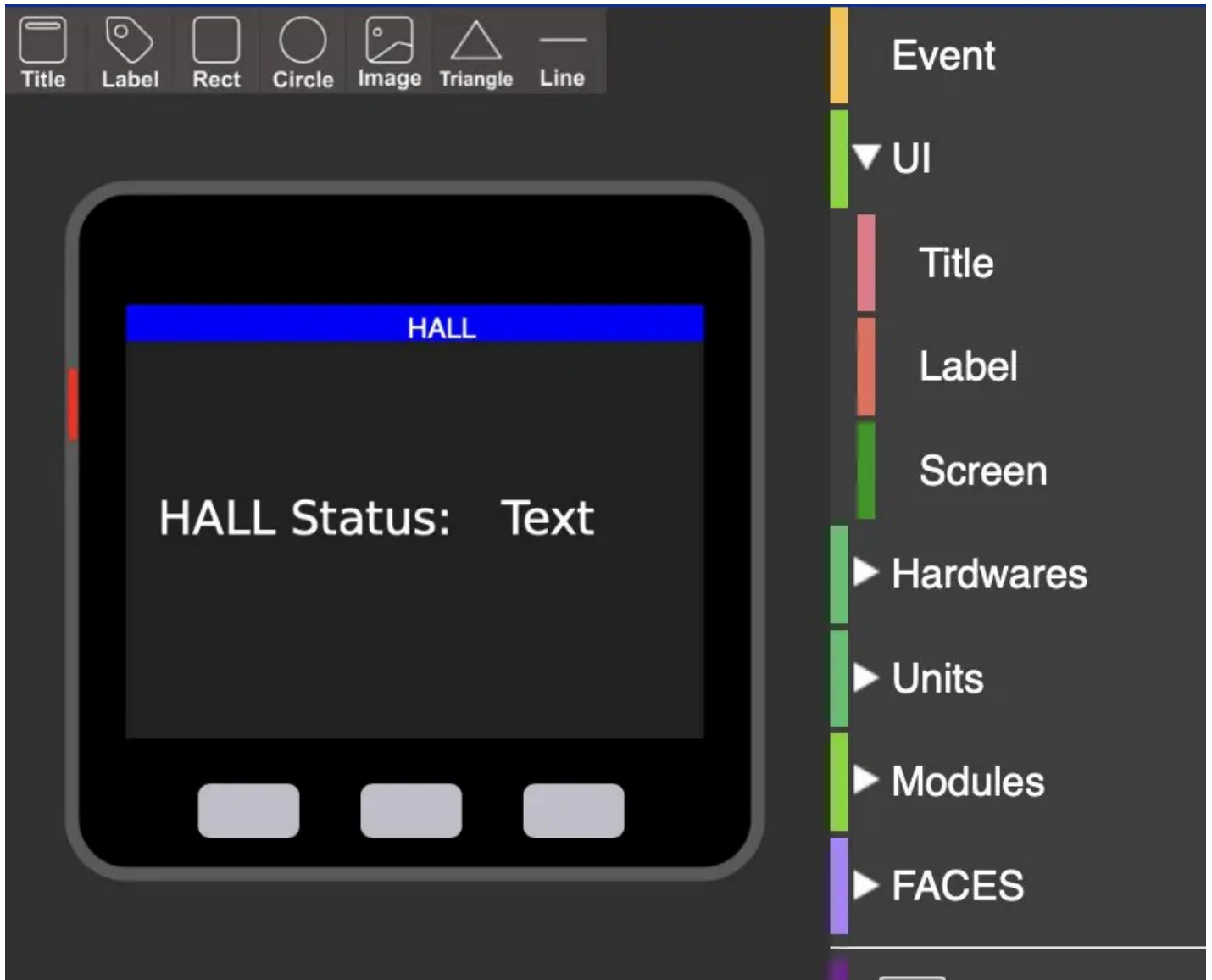
| Example

Arduino

- [Click here to download Arduino example](#)

2. UIFlow

- [Click here to download UIFlow example](#)



Last updated: 2020-12-11