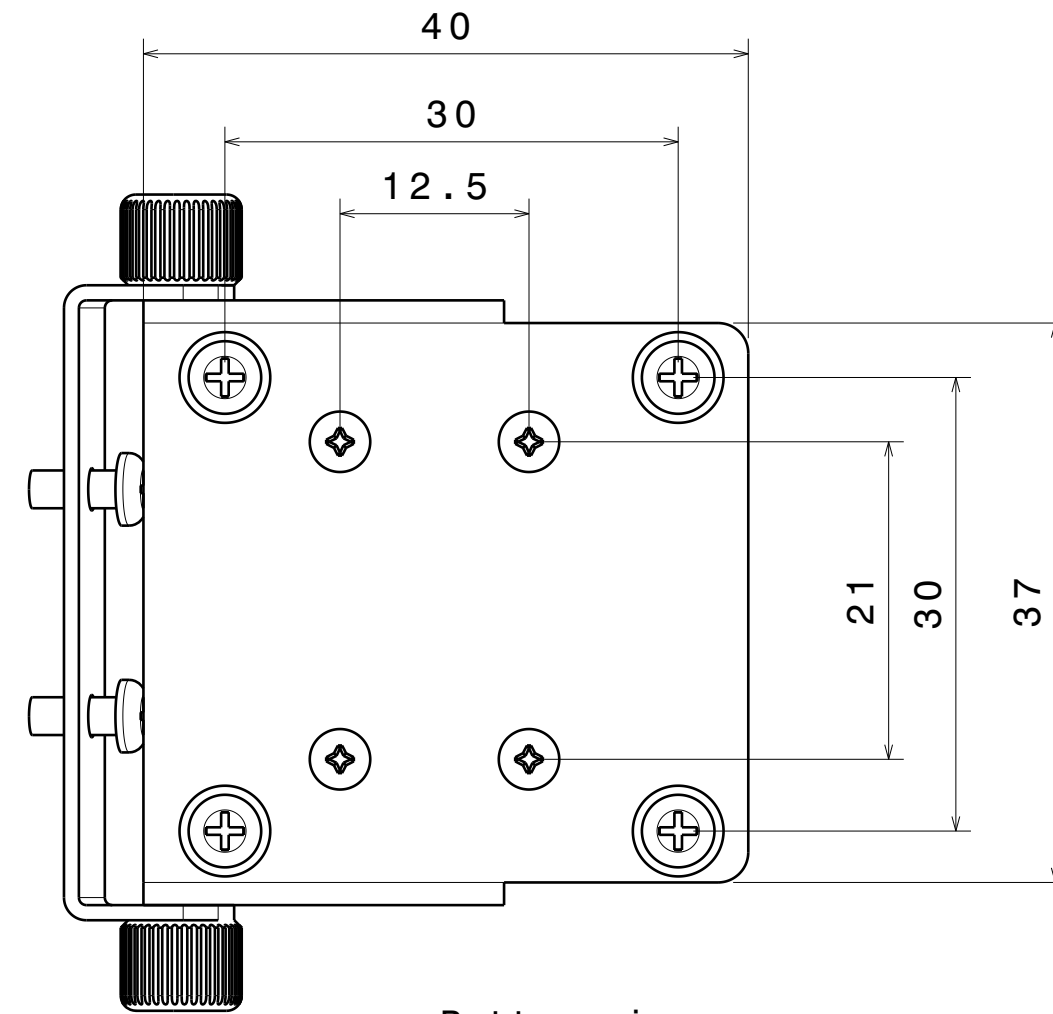
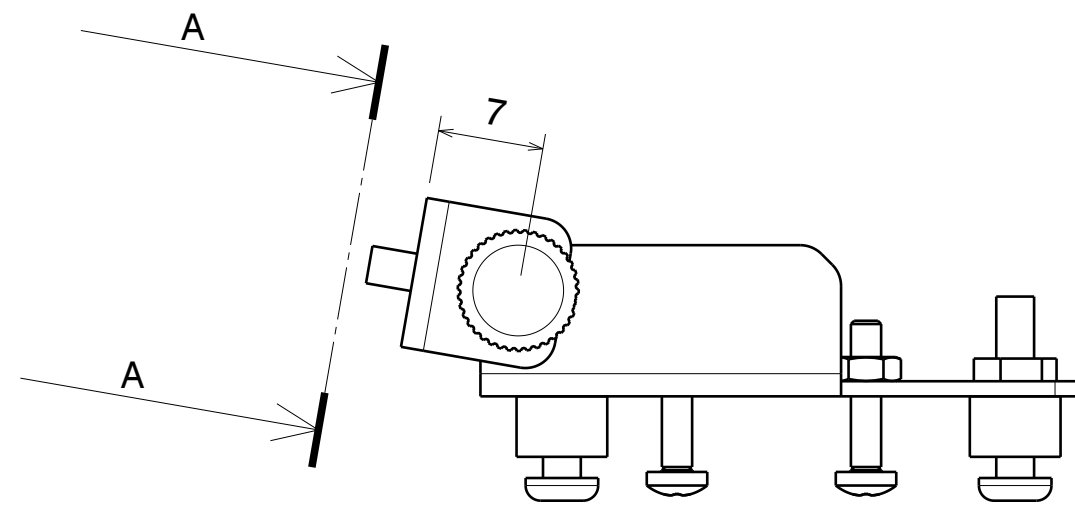


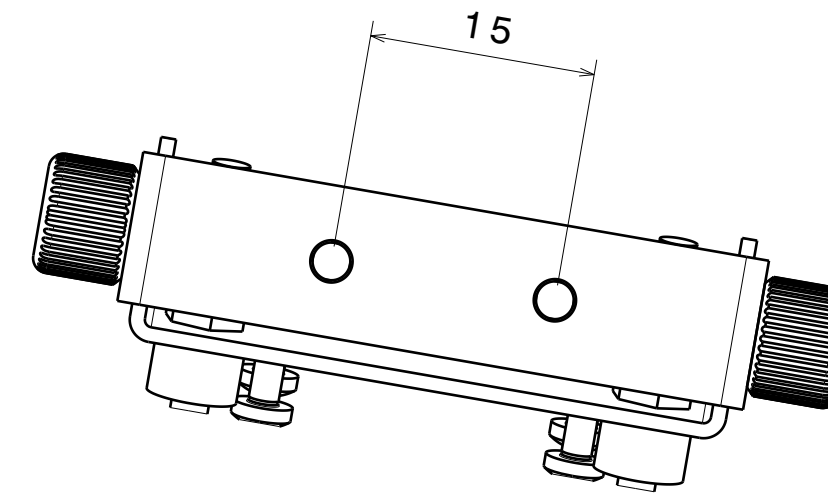
Iso view
Scale: 1:1



Bottom view
Scale: 2:1






Front view
Scale: 2:1



View A-A
Scale: 2:1

This drawing is the property of OKDO Technology Limited. It may not be copied, shown or handed to any third party without our permission.

ITEM REF			NUMBER	DESCRIPTION	MATERIAL	REMARKS	Unit: metric																																																			
<table border="1"> <tr> <td>View pos</td> <td>Sign</td> <td colspan="2">General tolerance</td> <td colspan="2"></td> <td>Weight</td> </tr> <tr> <td>AP</td> <td>AP</td> <td colspan="2">SS-ISO 2768-1-m</td> <td colspan="2"></td> <td>.</td> </tr> <tr> <td>Checked</td> <td>Approved</td> <td colspan="2">Drawing file</td> <td colspan="2"></td> <td>Scale (if not 1:1)</td> </tr> <tr> <td>AP</td> <td>.</td> <td colspan="2">.</td> <td colspan="2"></td> <td>1:1</td> </tr> <tr> <td colspan="6">Title (max 20 pos)</td> <td>Date</td> <td>Sheet</td> </tr> <tr> <td colspan="6">  </td> <td>2020-12-22</td> <td>Rev.</td> </tr> <tr> <td colspan="6">Layout Drawing OKDO Camera Stand</td> <td>Drawing no</td> <td>A</td> </tr> </table>							View pos	Sign	General tolerance				Weight	AP	AP	SS-ISO 2768-1-m				.	Checked	Approved	Drawing file				Scale (if not 1:1)	AP	.	.				1:1	Title (max 20 pos)						Date	Sheet							2020-12-22	Rev.	Layout Drawing OKDO Camera Stand						Drawing no	A
View pos	Sign	General tolerance				Weight																																																				
AP	AP	SS-ISO 2768-1-m				.																																																				
Checked	Approved	Drawing file				Scale (if not 1:1)																																																				
AP	.	.				1:1																																																				
Title (max 20 pos)						Date	Sheet																																																			
						2020-12-22	Rev.																																																			
Layout Drawing OKDO Camera Stand						Drawing no	A																																																			