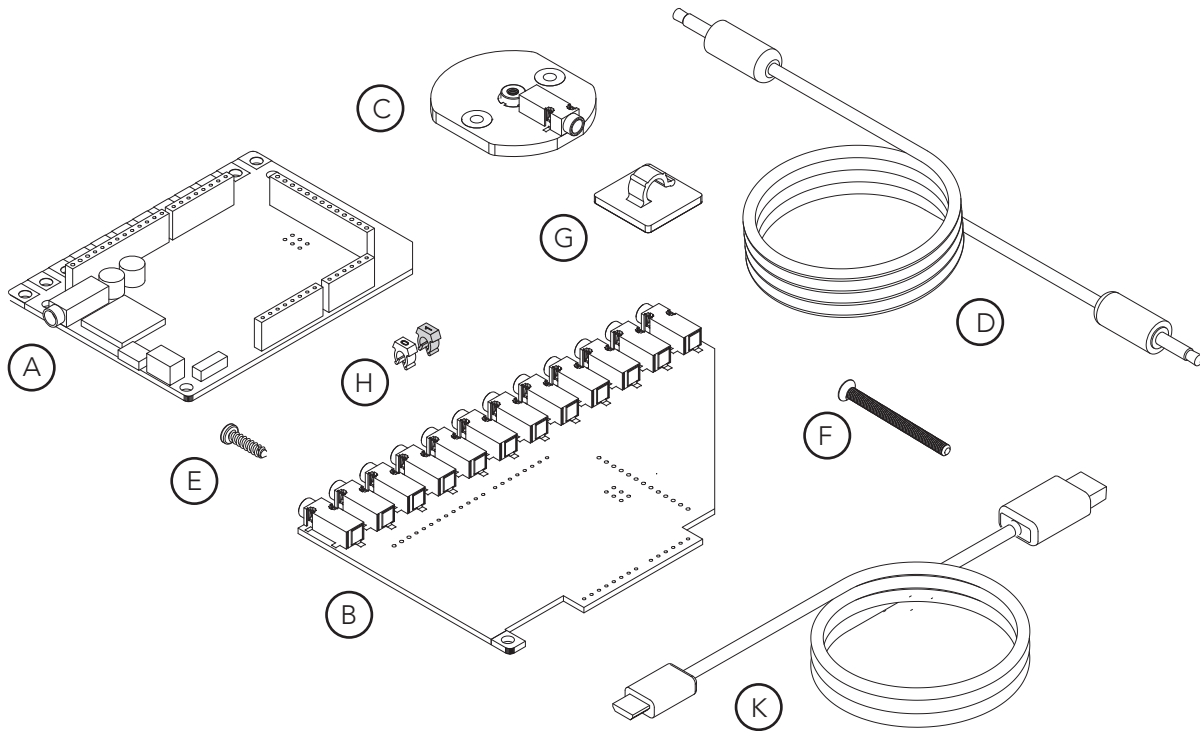


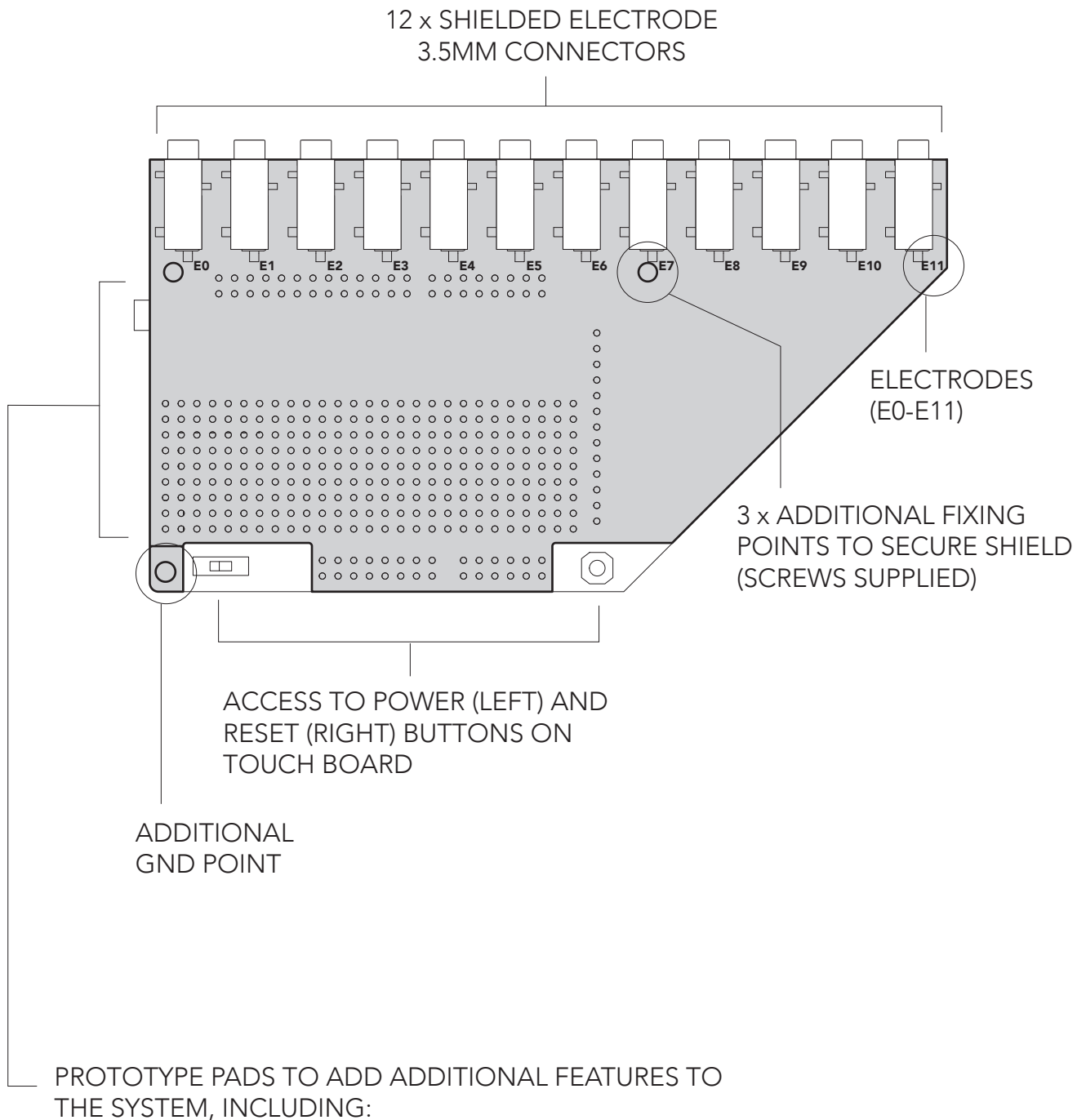


**INTERACTIVE WALL KIT**



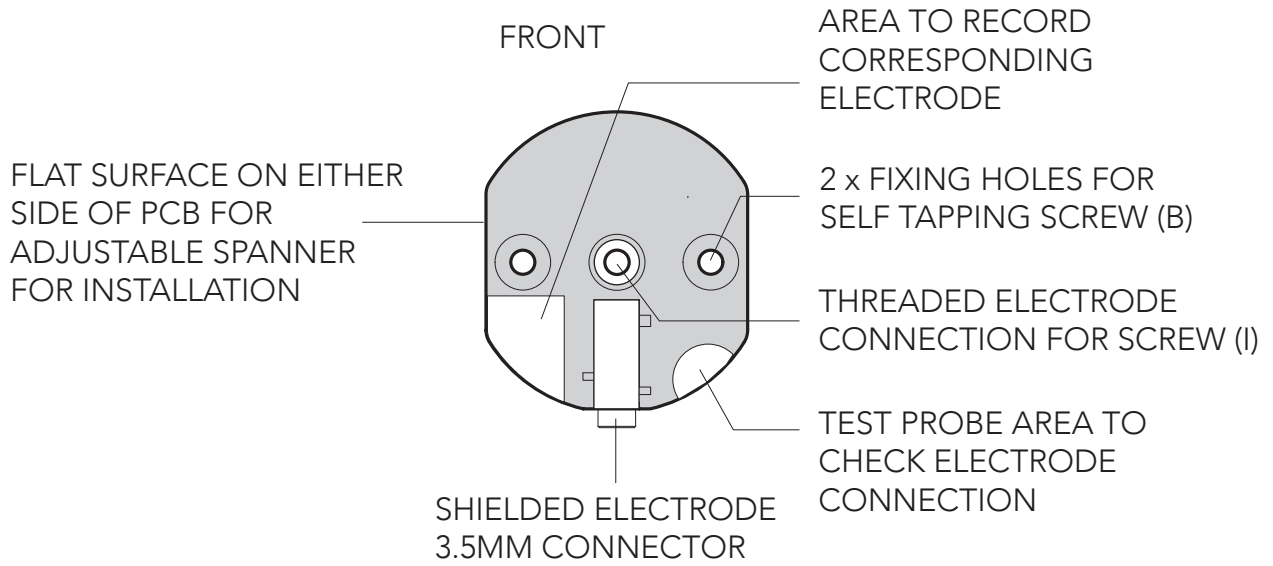
A. Touch Board with presoldered headers	x1
B. Electrode Shield	x1
C. Electrode Pad	x12
D. Shielded Cable, 5m	x12
E. Self Tapping Screw	x30
F. M3 Machine Screw	x12
G. Cable Management Clips	x50
H. Cable Marking Set	X1
I. microSD Card	x1
J. microSD Card Reader	x1
K. MicroUSB Cable	x1

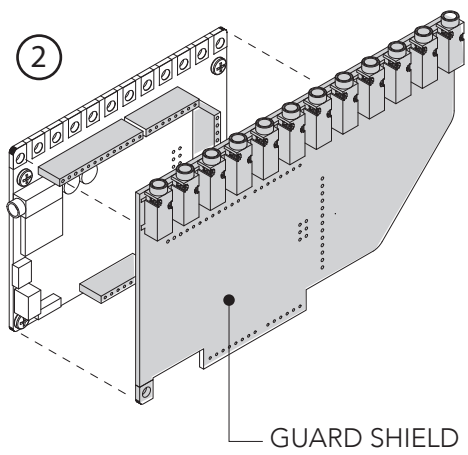
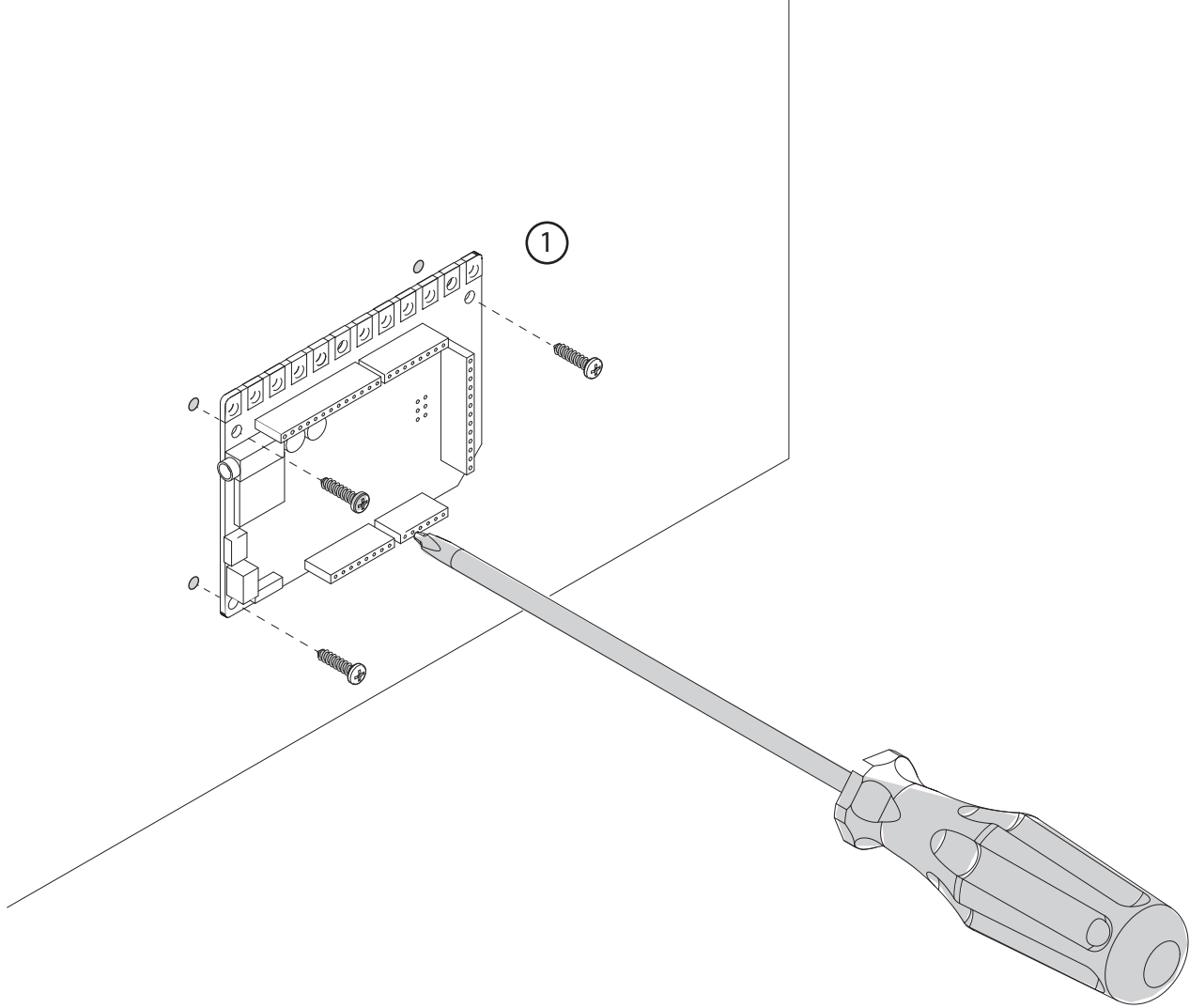
D. GUARD SHIELD



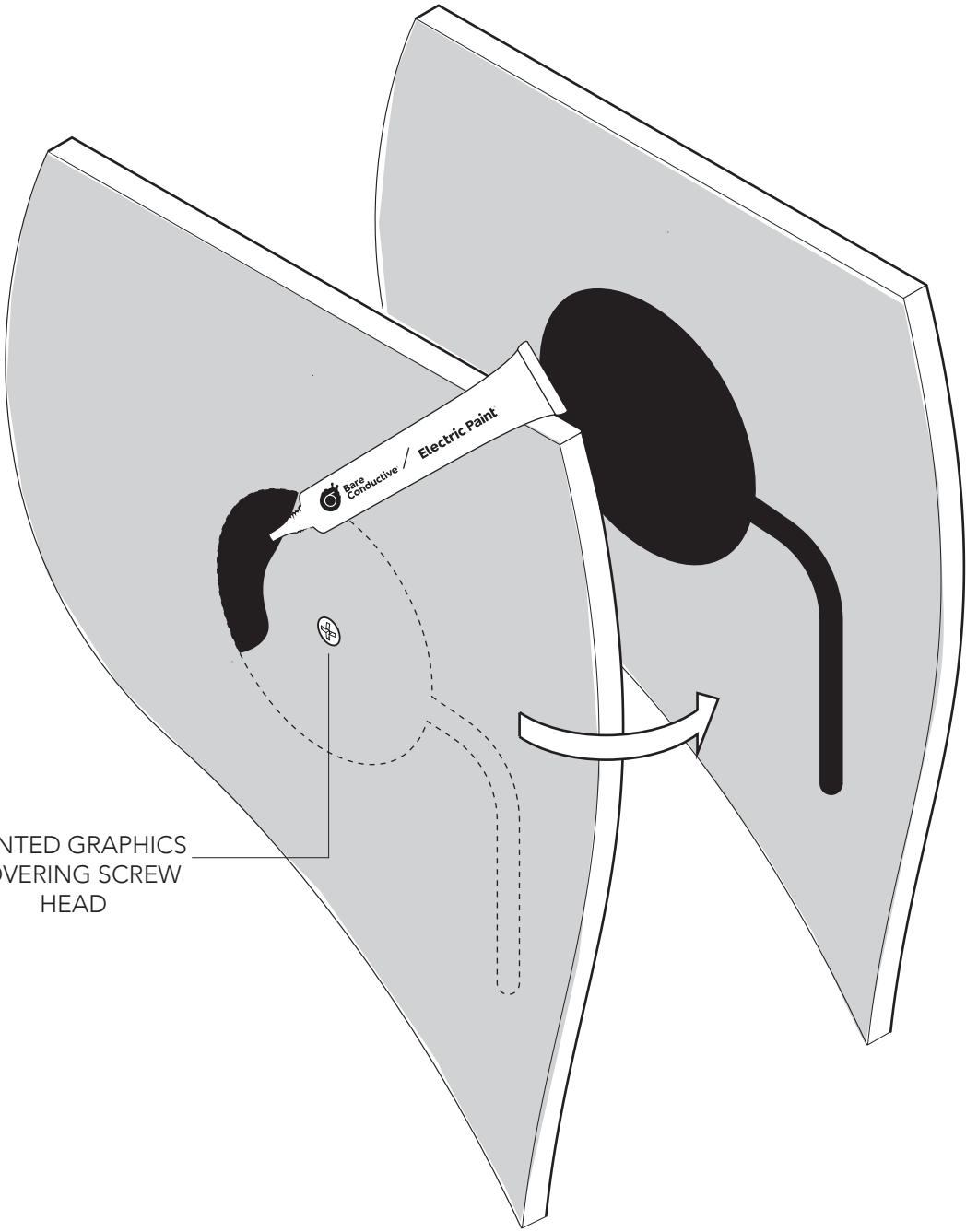
- INDICATOR LEADS
- DISPLAY
- WIRELESS MODULE (BLUETOOTH, ZIBGY, LORA ETC)
- MOTORS AND SERVOS

## F. ELECTRODE PAD PCB

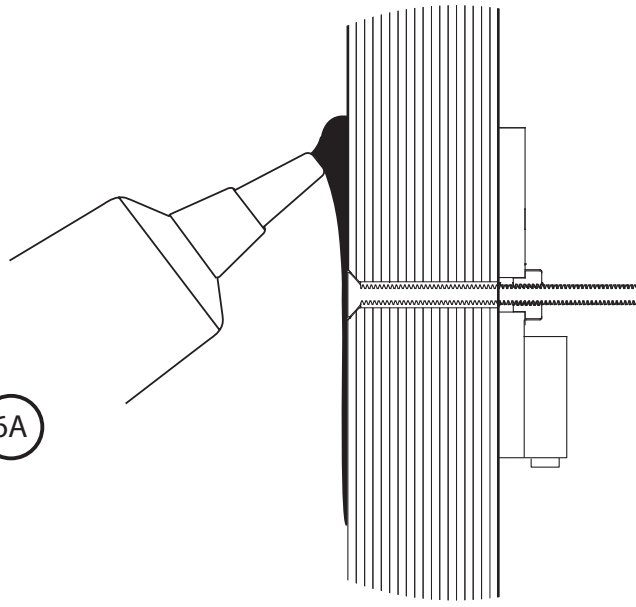




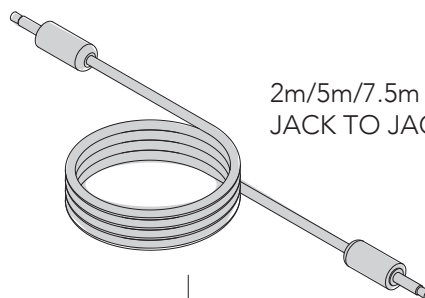
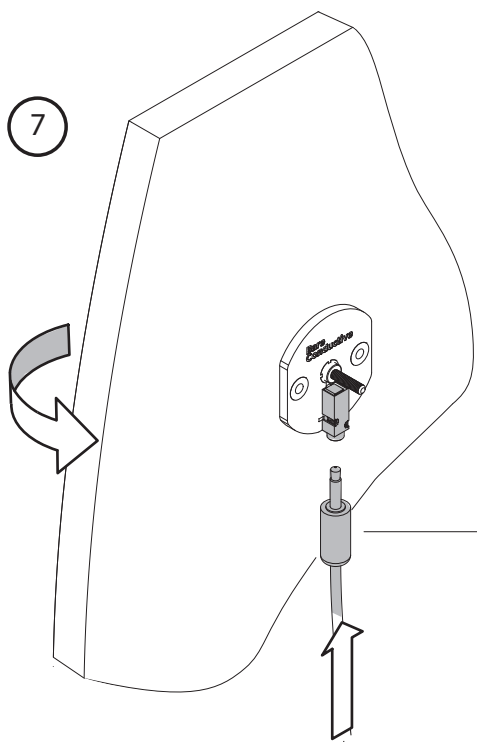
5A



6A

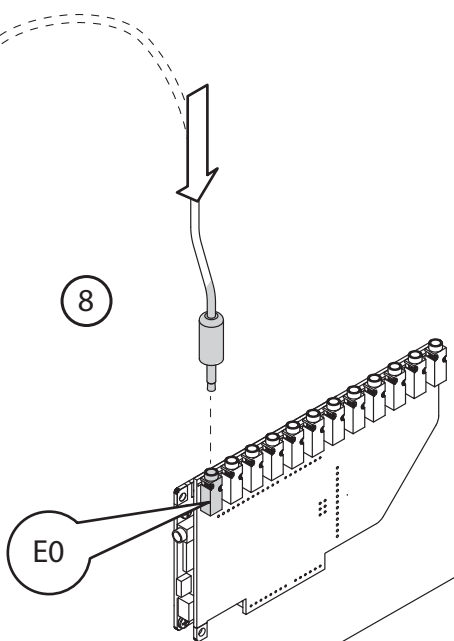


7



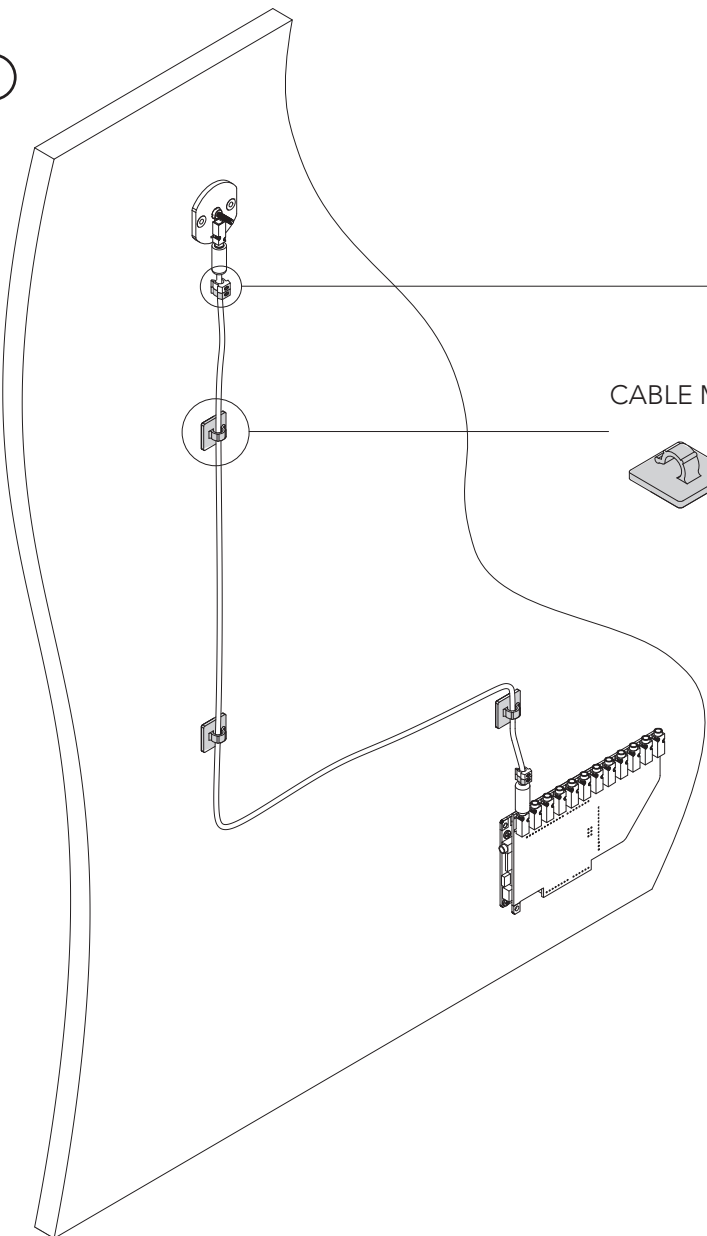
2m/5m/7.5m STEREO  
JACK TO JACK CABLE

8

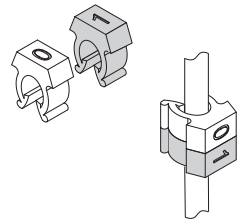


E0

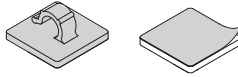
9



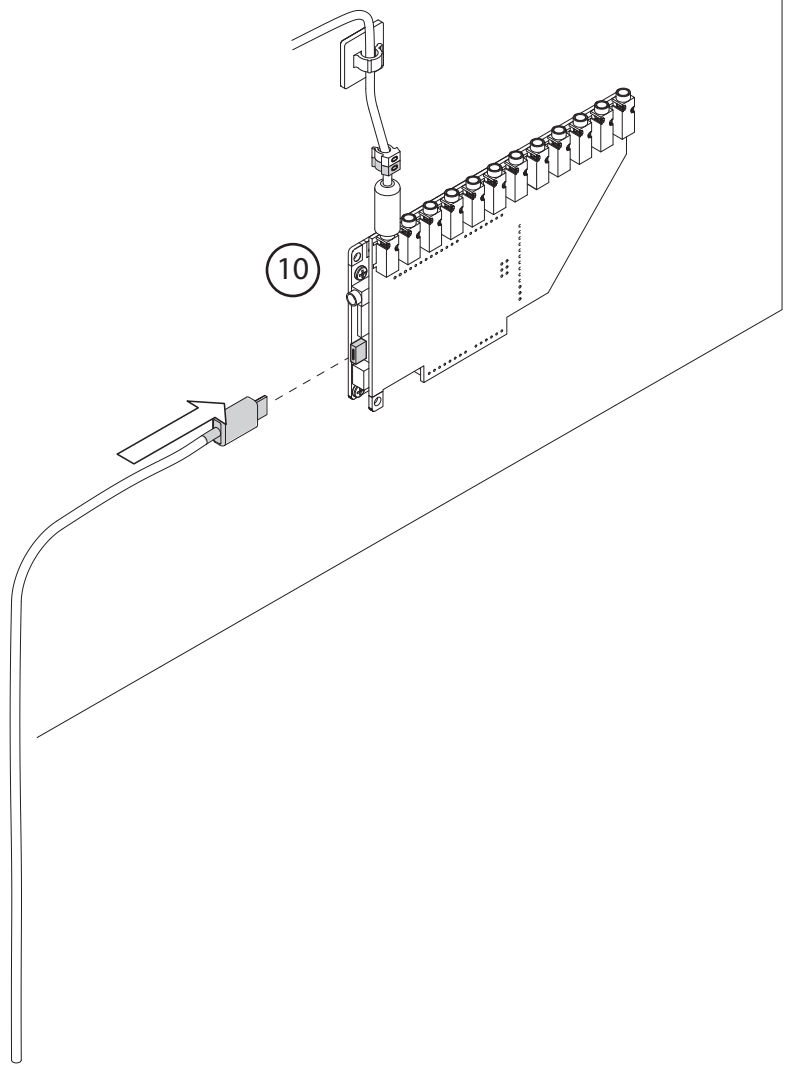
CABLE MARKING FOR ELECTRODES



CABLE MANAGEMENT



10





11

