

DEVELOPMENT BOARD ENCLOSURES

BeagleBone Black Enclosure

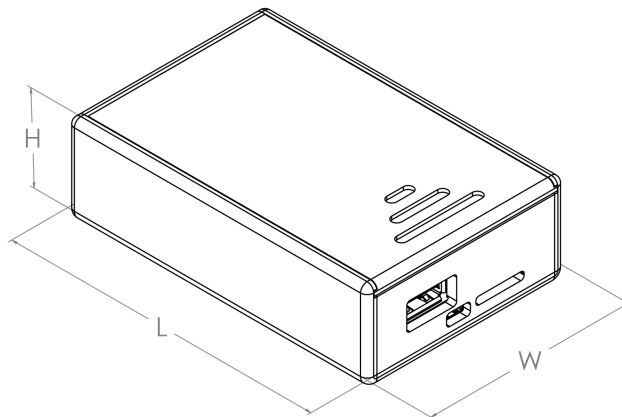
- Designed to house the Beagle Bone Black PCB, via clip-in grooves - **NO SCREWS REQUIRED!**
- All cut-outs are pre-cut into the case - **NO MODS REQUIRED!**
- Wall mountable
- Supplied with four rubber feet
- High gloss finish
- Slide on clear cover

MATERIAL:

- Coloured materials: High Impact Polystyrene (HIPS)
- Clear: PETg
- Thickness 3mm: HB Rated

TYPE NO.	COLOUR	LENGTH	WIDTH	HEIGHT
CBBBBLACK-CLR	Black	91mm	60mm	27mm

CBBBBLACK-CLR



UNIVERSAL ENCLOSURES

HAND HELD CASES

HEAVY DUTY ENCLOSURES

DIN RAIL ENCLOSURES

INTERFACE SUPPORTS

ELECTRICAL ENCLOSURES

DIECAST & METAL ENCLOSURES

DESKTOP & INSTRUMENT CASES

MULTI-PURPOSE & POTTING BOXES

19" ENCLOSURES

19" CABINETS

DEVELOPMENT BOARD ENCLOSURES

CUSTOM SIZED ENCLOSURES

FSPT/ CUSTOM SERVICES