

# DEVELOPMENT BOARD ENCLOSURES

## Latte Panda Board Case

- Designed to house the Latte Panda development board
- All cut-outs are pre-cut into the case - **NO MODS REQUIRED!**
- No screws needed
- Textured finish
- Slide on clear cover

CBLPBC-BK

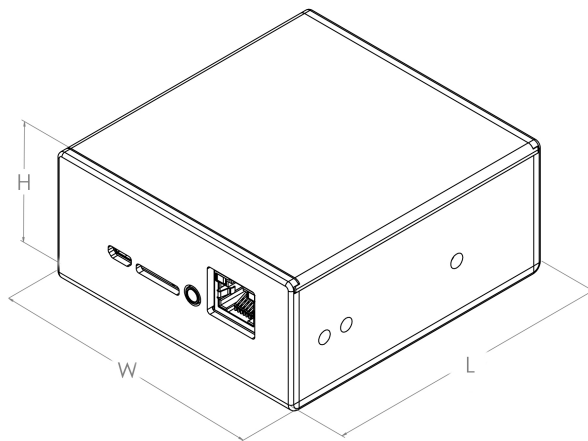


### MATERIAL:

- Case: High Impact Polystyrene (HIPS), black
- Cover: clear PETg
- Thickness: 3mm
- UL94-HB



TYPE NO.	COLOUR	LENGTH	WIDTH	HEIGHT
CBLPBC-BK	Black	92mm	86mm	41mm



UNIVERSAL ENCLOSURES

HAND HELD CASES

HEAVY DUTY ENCLOSURES

DIN RAIL ENCLOSURES

INTERFACE SUPPORTS

ELECTRICAL ENCLOSURES

DIECAST & METAL ENCLOSURES

DESKTOP & INSTRUMENT CASES

MULTI-PURPOSE & POTTING BOXES

19" ENCLOSURES

19" CABINETS

DEVELOPMENT BOARD ENCLOSURES

CUSTOM SIZED ENCLOSURES

FSPT/ CUSTOM SERVICES



+44 (0)1638 716101  
info@camdenboss.com  
www.camdenboss.com

We operate a constant improvement policy, our products are subject to change without notice.

Ver 2

**CAMDENBOSS**  
ELECTRONICS & ENCLOSURES