



Radxa ROCK 4 SE

schematic

V1.53



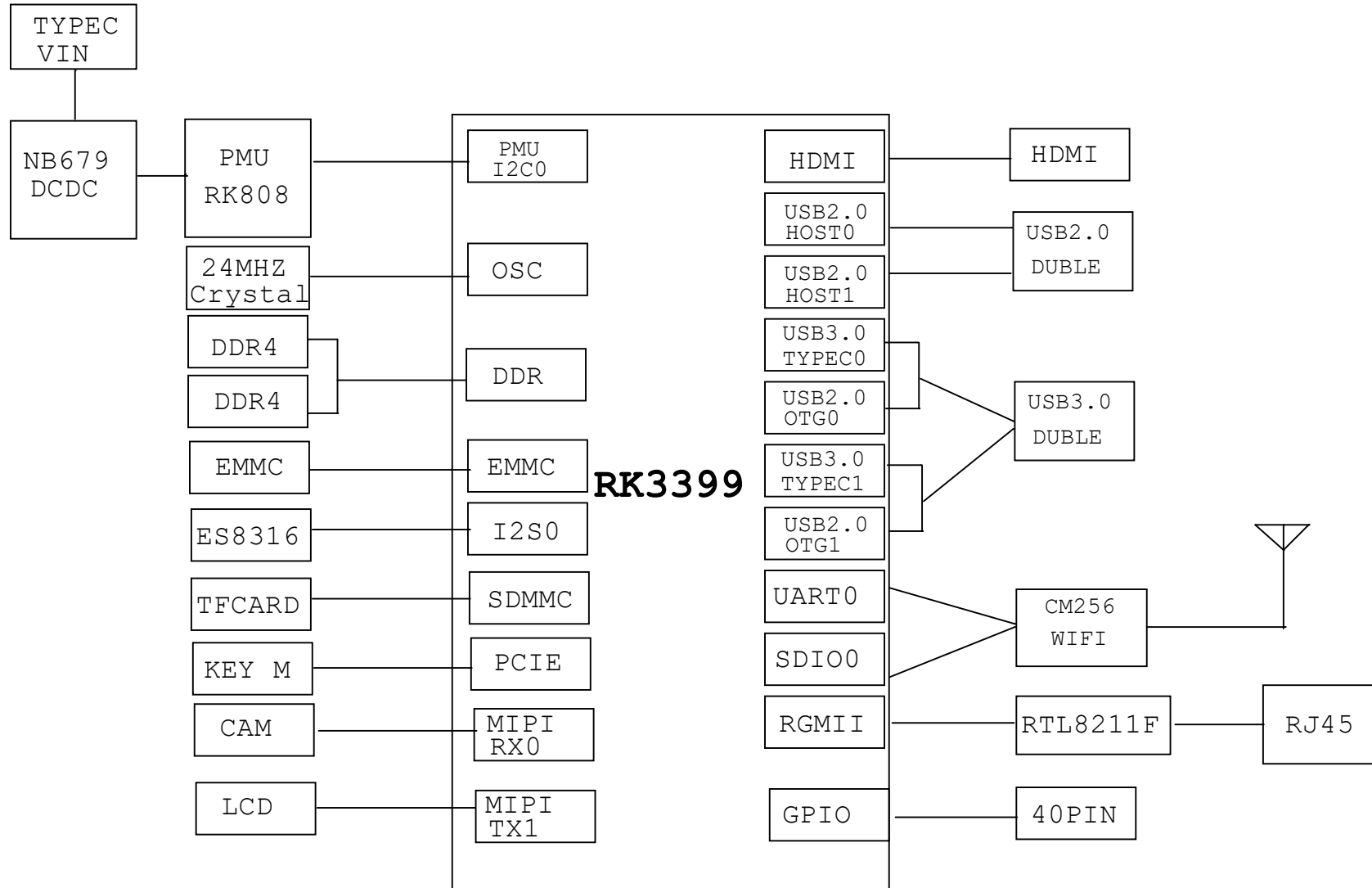
CONTENT INDEXING

- 01.Cover page
- 02.Index
- 03.Block Diagram
- 04.ES8316
- 05.CONNECTOR
- 06.RK3399 Power
- 07.RK3399 PMU Controler
- 08.RK3399 DDR Controler
- 09.RK3399 Flash&SDMMC Controler
- 10.RK3399 USB/USIC Controler
- 11.RK3399 SARADC/Key
- 12.RK3399 DVP Interface
- 13.RK3399 Display Interface
- 14.RK3399 GPIO
- 15.RK3399 PCIE
- 16.Power-DC IN
- 17.Power-PMIC RK808-D
- 18.RTL8211F
- 19.USB3.0 OTG Port
- 20.RAM-LPDDR4(200P)
- 21.Memory-EMMC
- 22.WIFI/BT AP6255
- 23.TF Card
- 24.HDMI Output
- 25.PCie NGFF/M.2
- 26.FAN-KEY-LED
- 27.Hole

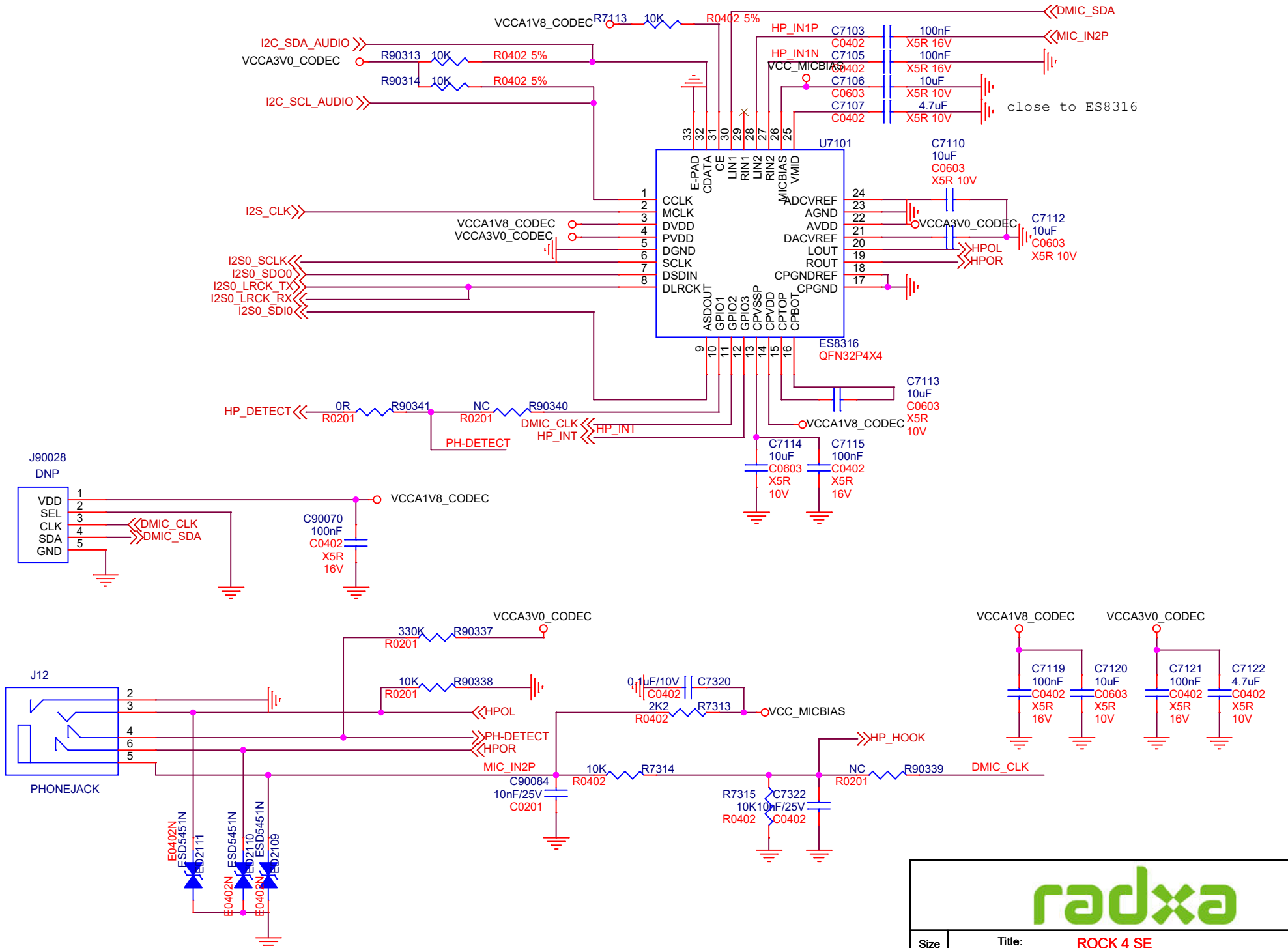


Size	Title: ROCK 4 SE	REV
A4	Page Name: Index	1.53
Date: Thursday, October 27, 2022	Sheet 2 of 27	

Block Diagram

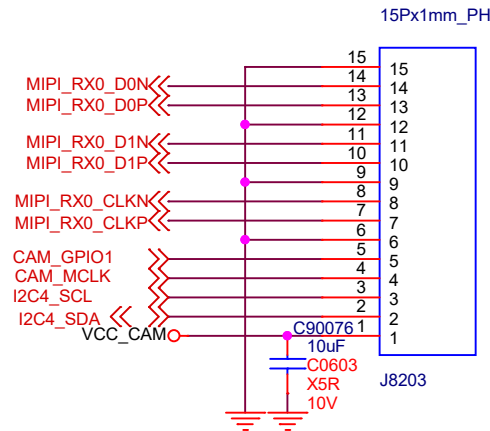
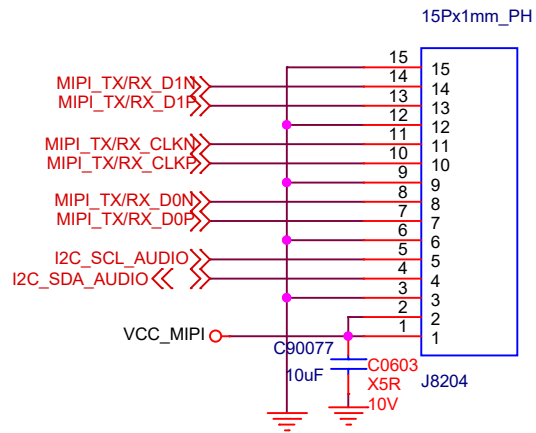
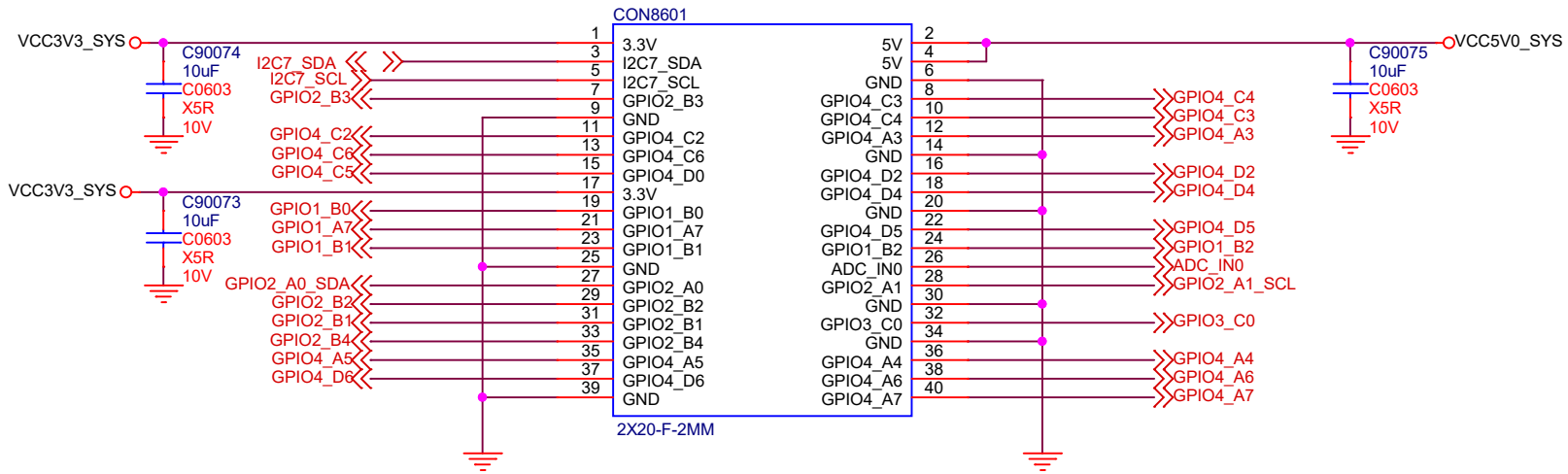


Size	Title: ROCK 4 SE	REV
A4	Page Name: Block Diagram	1.53
Date: Thursday, October 27, 2022	Sheet 3 of 27	

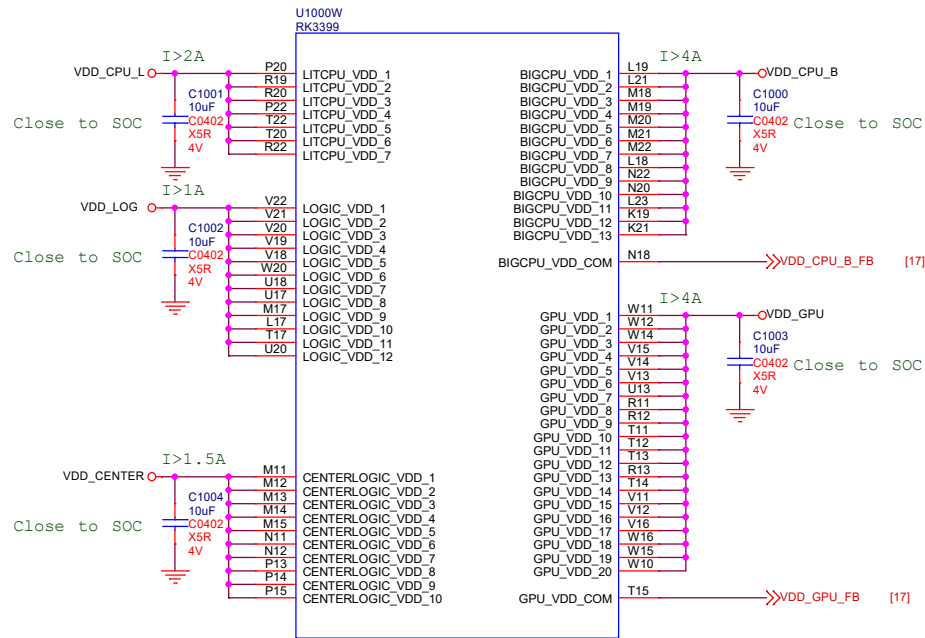


radxa

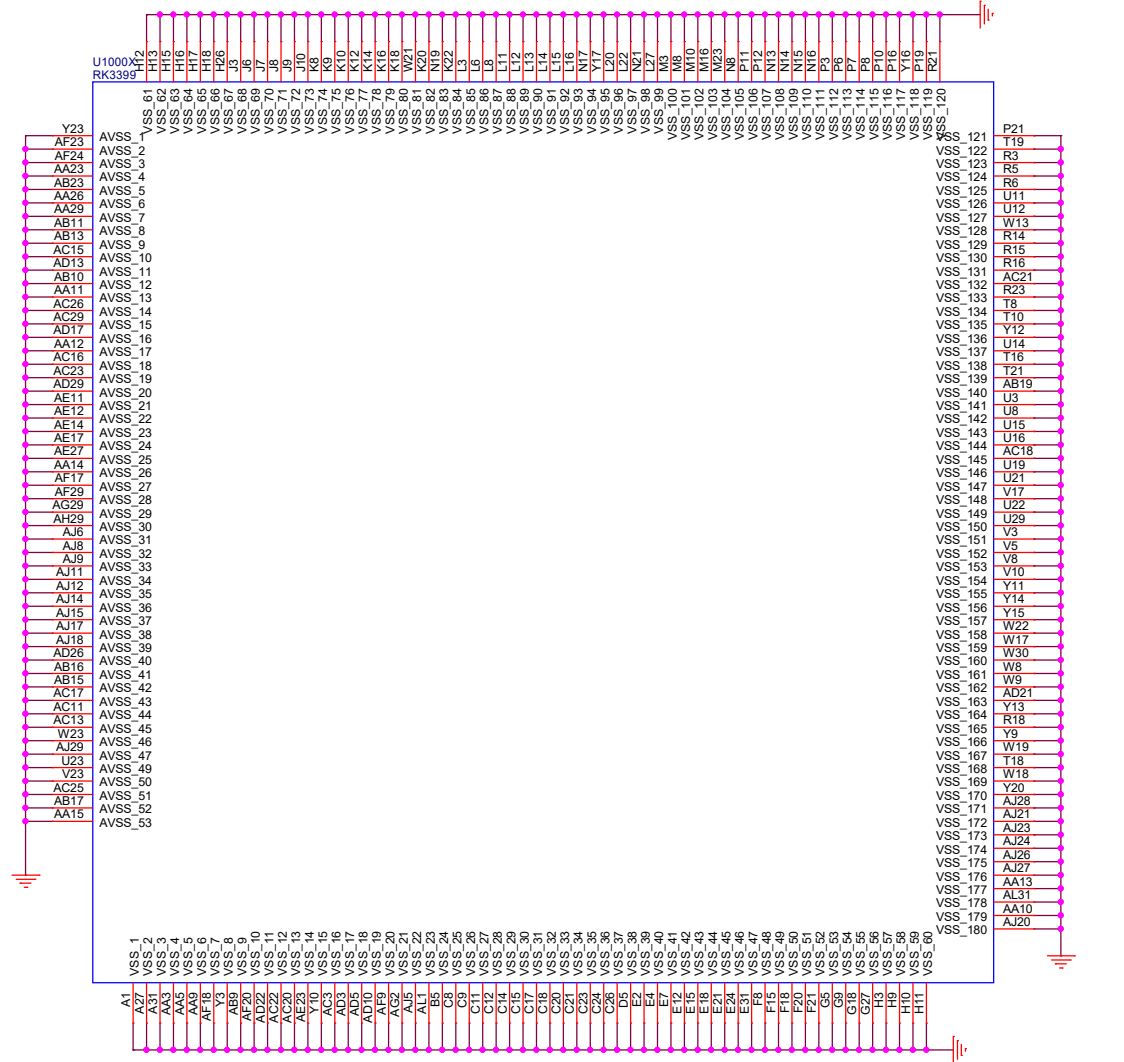
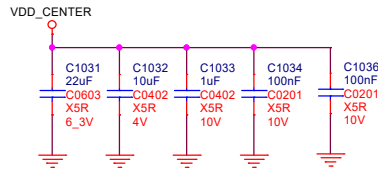
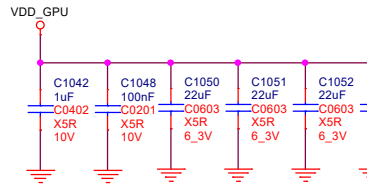
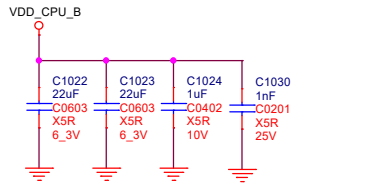
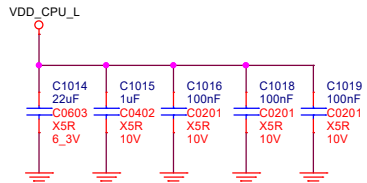
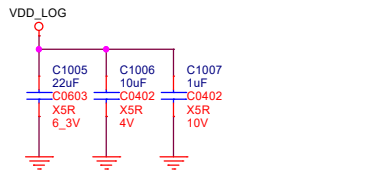
Size	Title: ROCK 4 SE	REV
A4	Page Name: ES8316	1.53
Date: Thursday, October 27, 2022	Sheet 4 of 27	

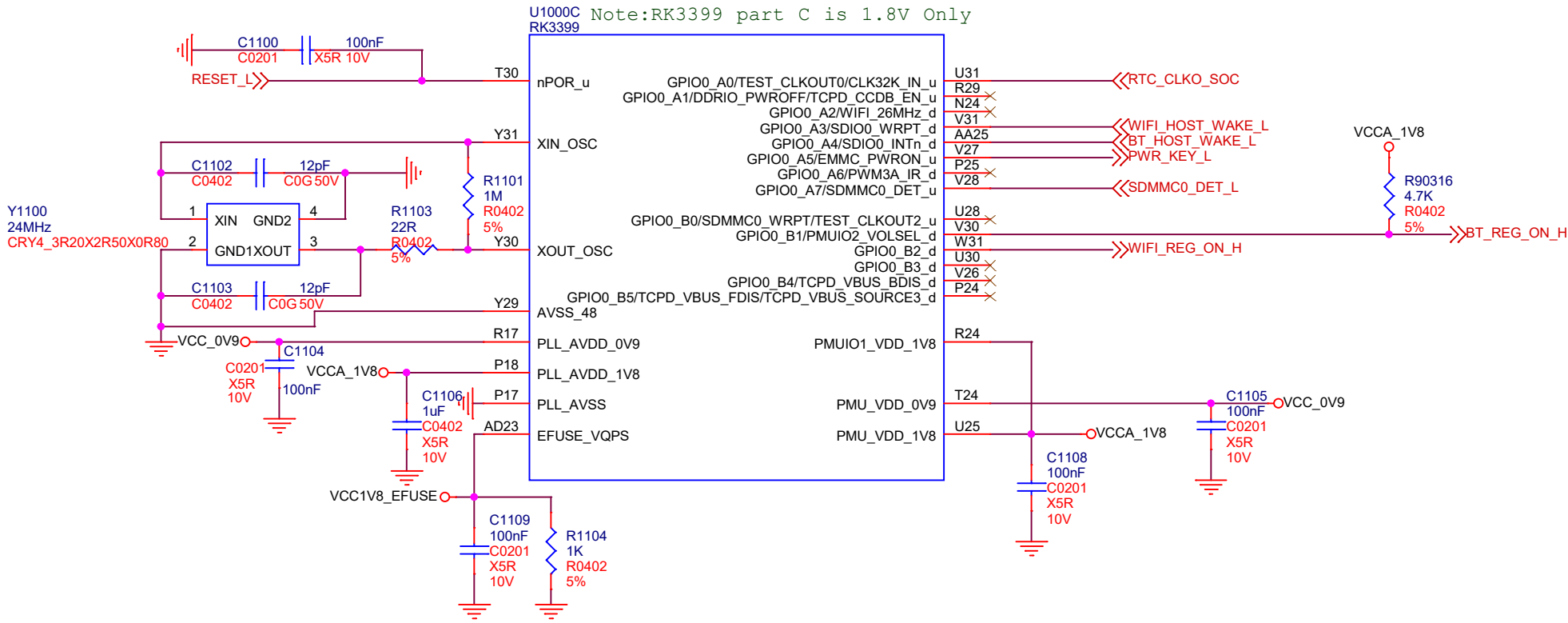


Size	Title: ROCK 4 SE	REV
A4	Page Name: CONNECTOR	1.53
Date: Thursday, October 27, 2022	Sheet 5 of 27	

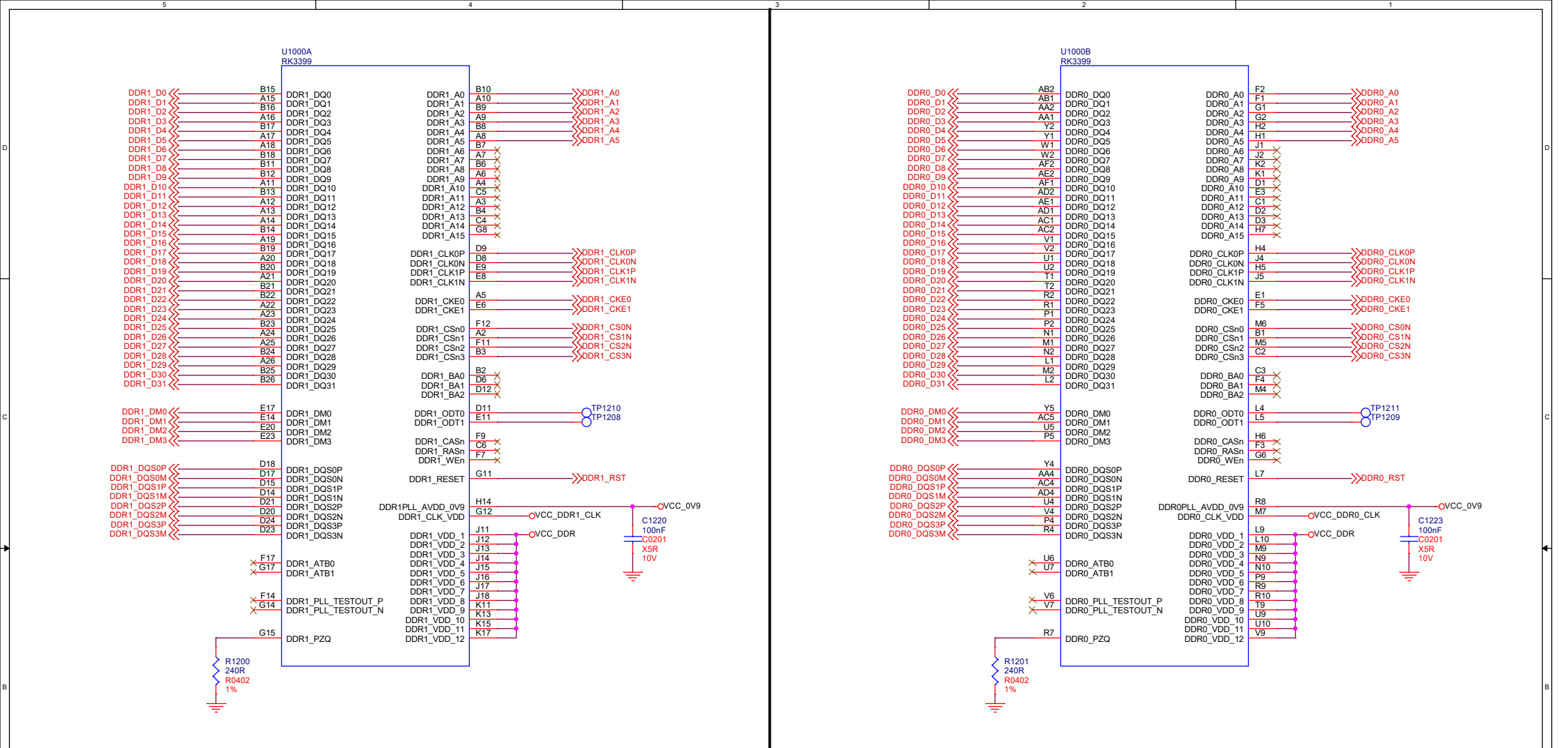


Note: Power filter CAP please place back of SOC or close to SOC



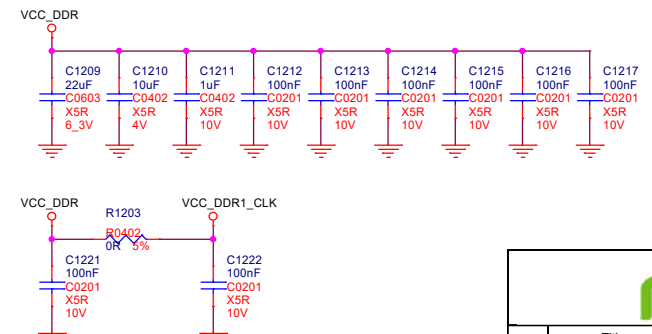
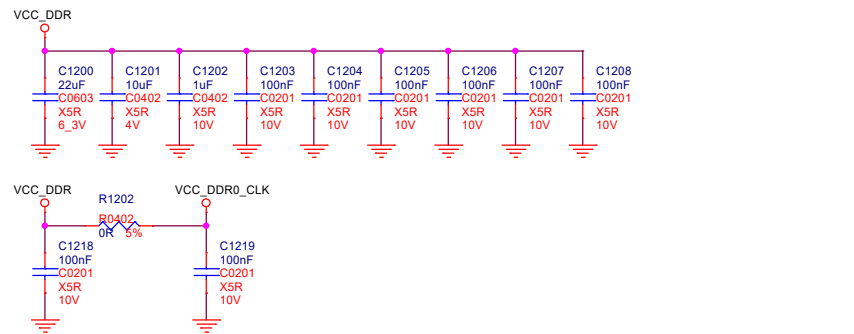


Size	Title: ROCK 4 SE	REV
A4	Page Name: RK3399 PMU Controller	1.53
Date: Thursday, October 27, 2022	Sheet 7 of 27	



DDR FILTER Note:R1202 cannot be deleted

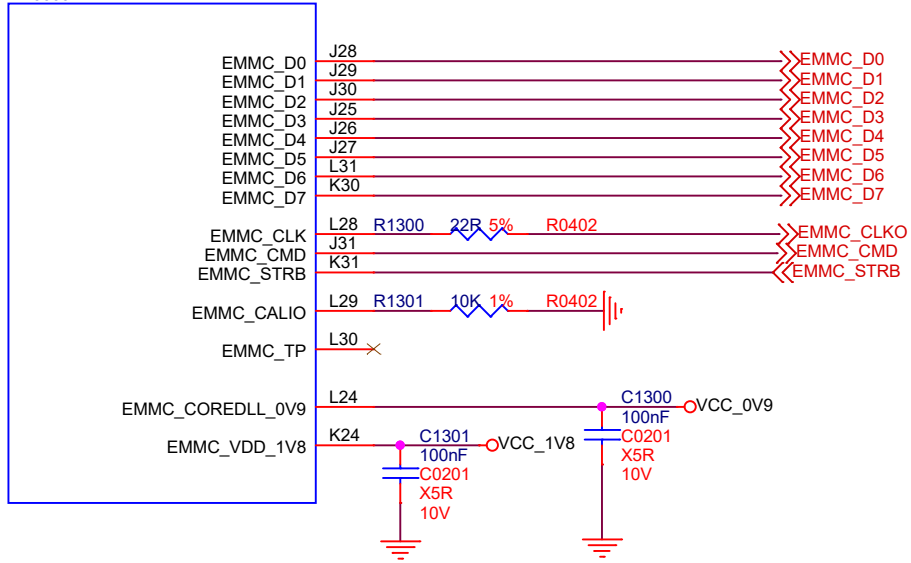
DDR FILTER Note:R1203 cannot be deleted



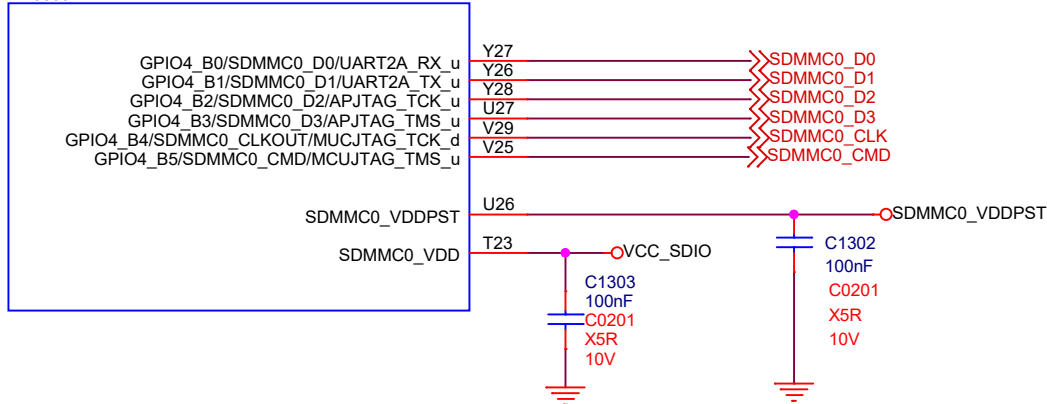
radxa

Size	Title: ROCK 4 SE	REV
A3	Page Name: RK3399 DDR Controller	1.53
Date: Thursday, October 27, 2022	Sheet 8 of 27	

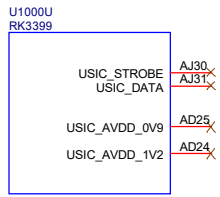
U1000H
RK3399



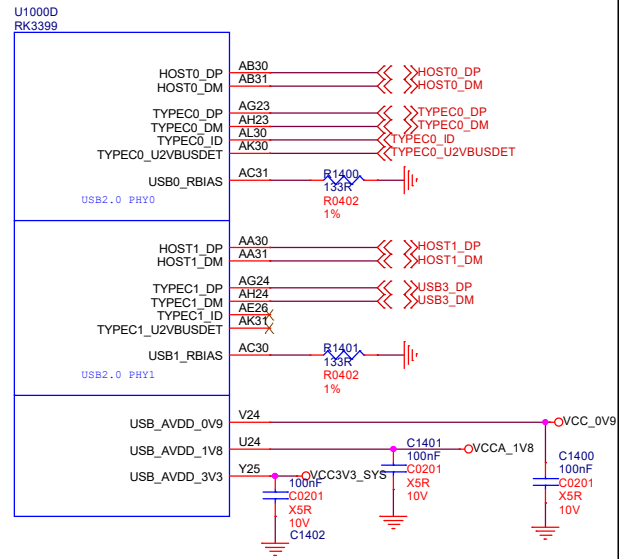
U1000F
RK3399



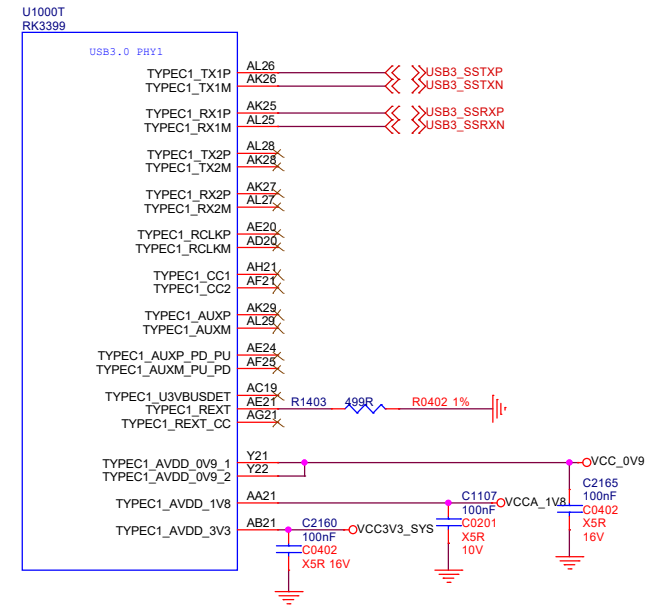
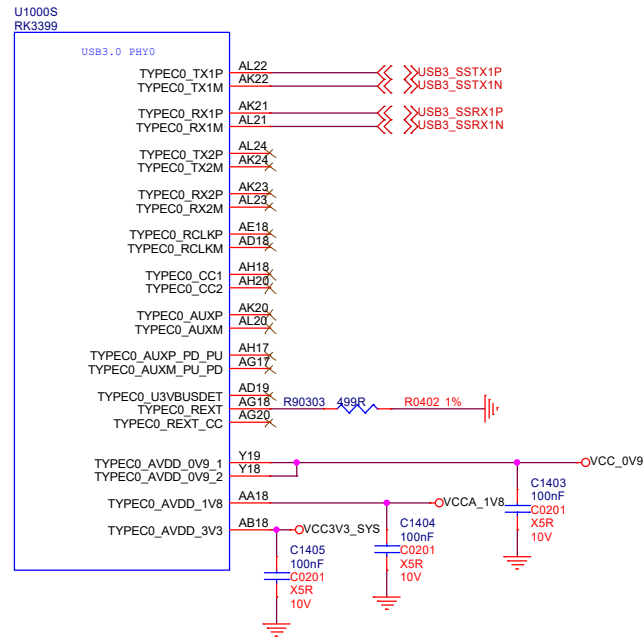
Size	Title: ROCK 4 SE	REV
A4	Page Name: RK3399 Flash&SDMMC Controller	1.53
Date: Thursday, October 27, 2022	Sheet 9 of 27	

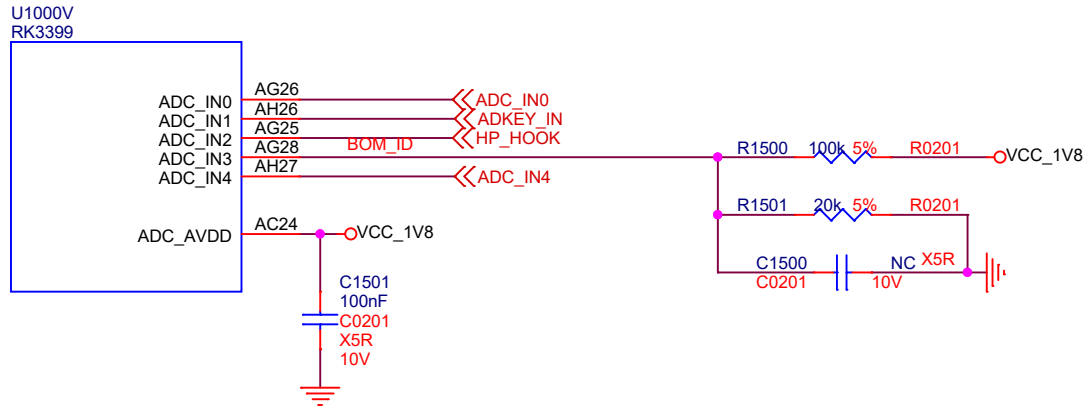


USB2.0



USB3.0





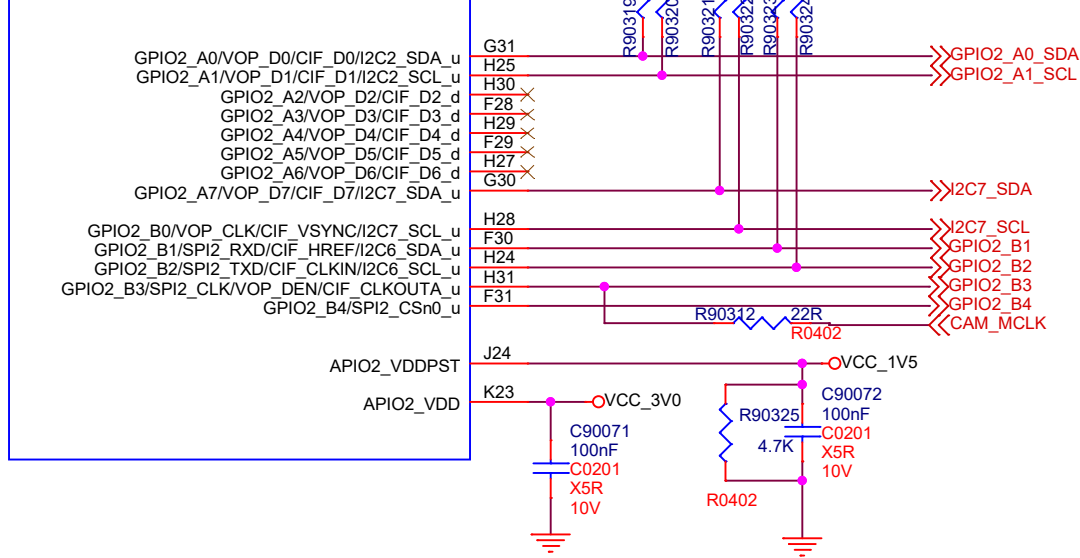
BOM ID

Item	Rup	Rdown		VOL	VERSION
LEVEL1	DNP	100K		0V	A
LEVEL2	100K	20K		0.3V	B
LEVEL3	100K	51K		0.6V	C
LEVEL4	100K	100K		0.9V	D
LEVEL5	100K	200K		1.2V	E
LEVEL6	100K	499K		1.5V	F
LEVEL7	100K	DNP		1.8V	G

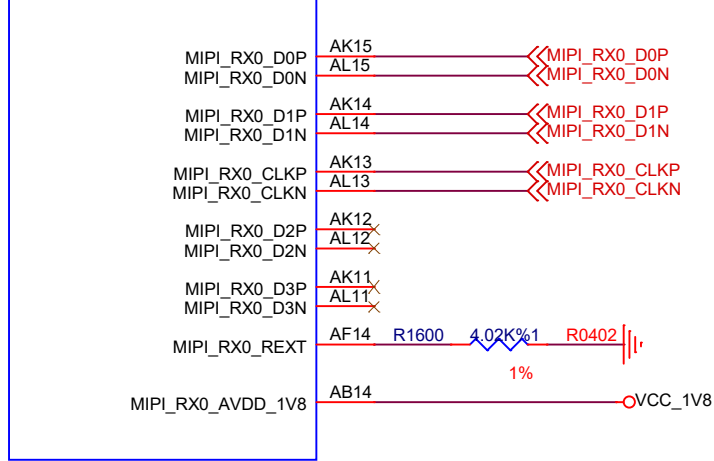


Size	Title: ROCK 4 SE	REV
A4	Page Name: RK3399 SARADC/Key	1.53
Date: Thursday, October 27, 2022	Sheet 11 of 27	

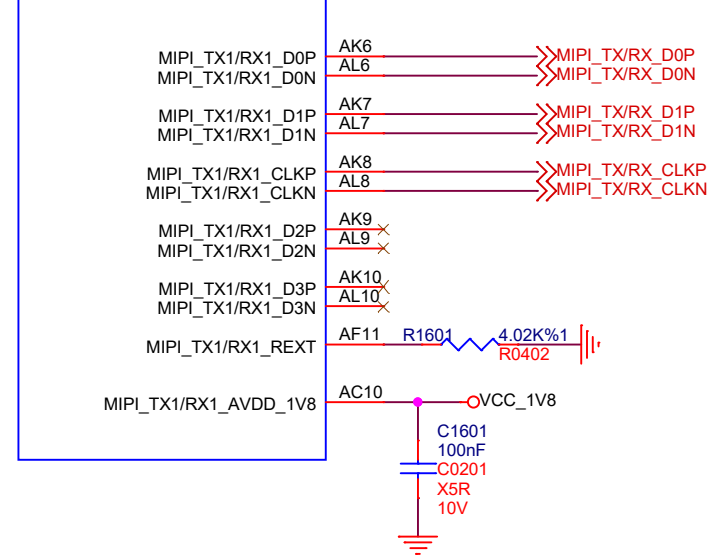
U1000L
RK3399



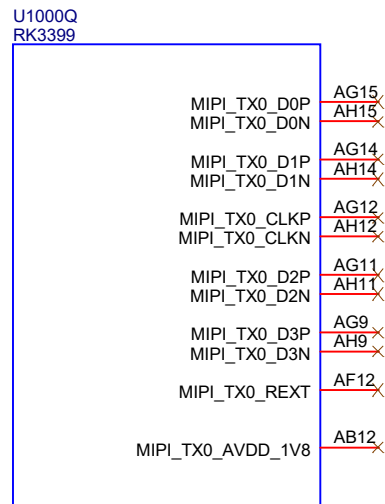
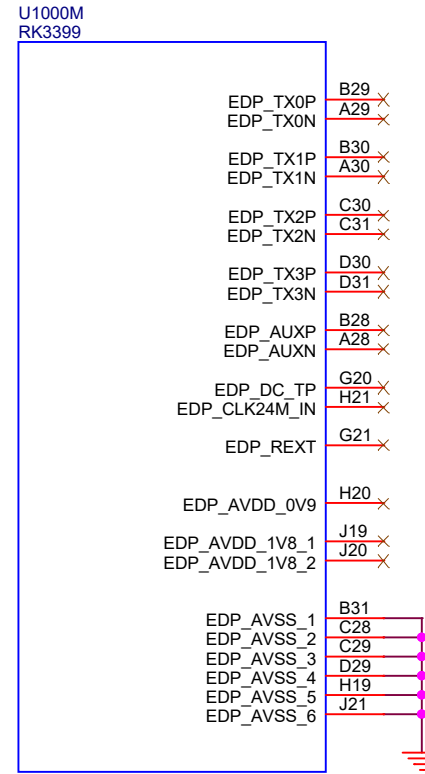
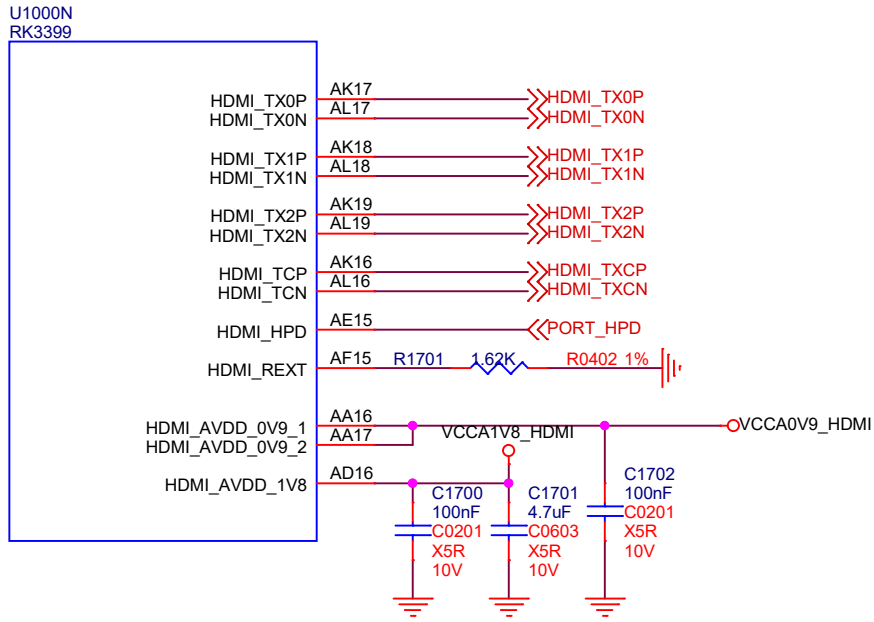
U1000R
RK3399



U1000P
RK3399



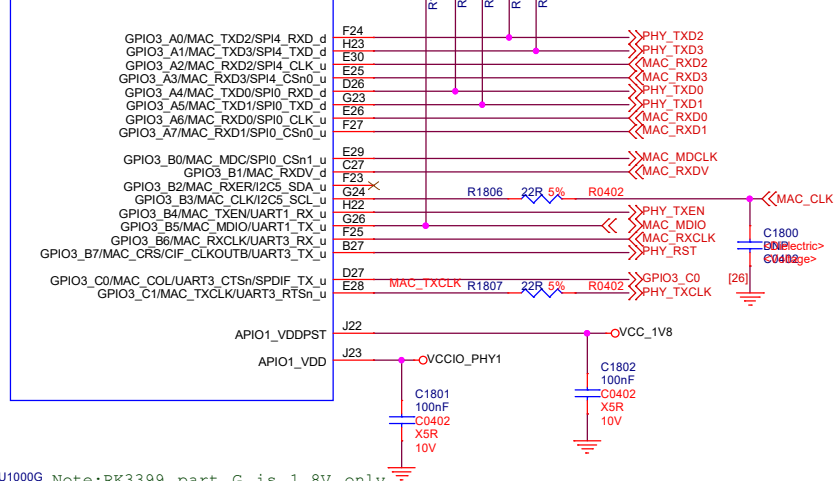
Size	Title: ROCK 4 SE	REV
A4	Page Name: RK3399 DVP Interface	1.53
Date: Thursday, October 27, 2022	Sheet 12 of 27	



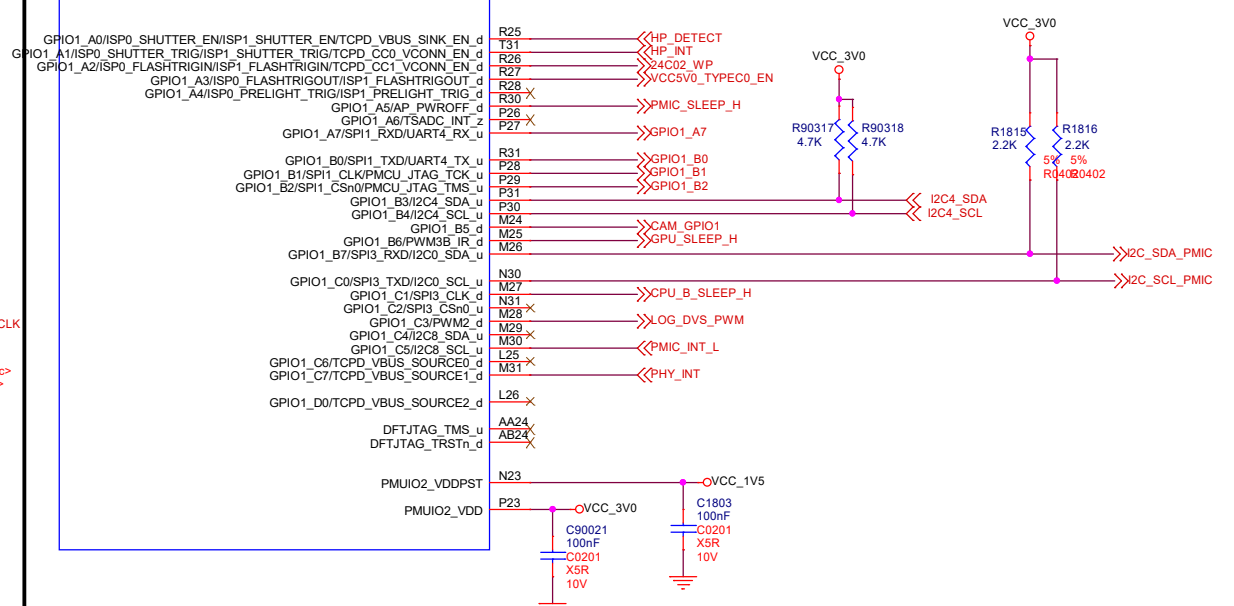
radxa

Size	Title: ROCK 4 SE	REV
A4	Page Name: RK3399 Display Interface	1.53
Date: Thursday, October 27, 2022	Sheet 13 of 27	

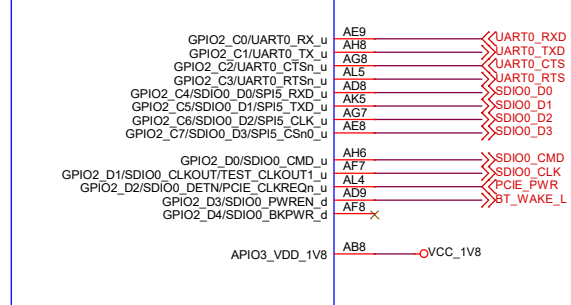
U1000I Note:RK3399 part I is 3.3V only
RK3399



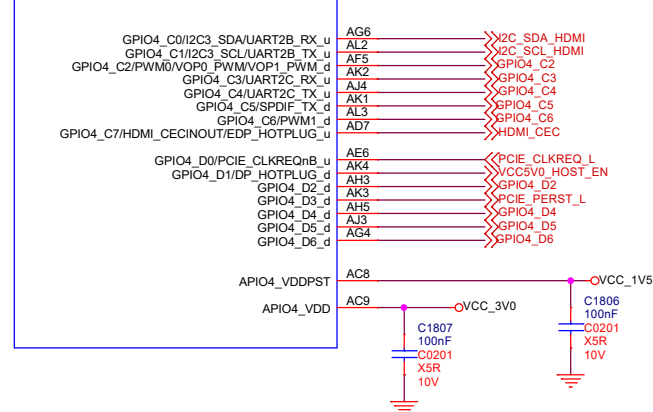
U1000E Note:RK3399 part E is 1.8V/3.0V mode
RK3399



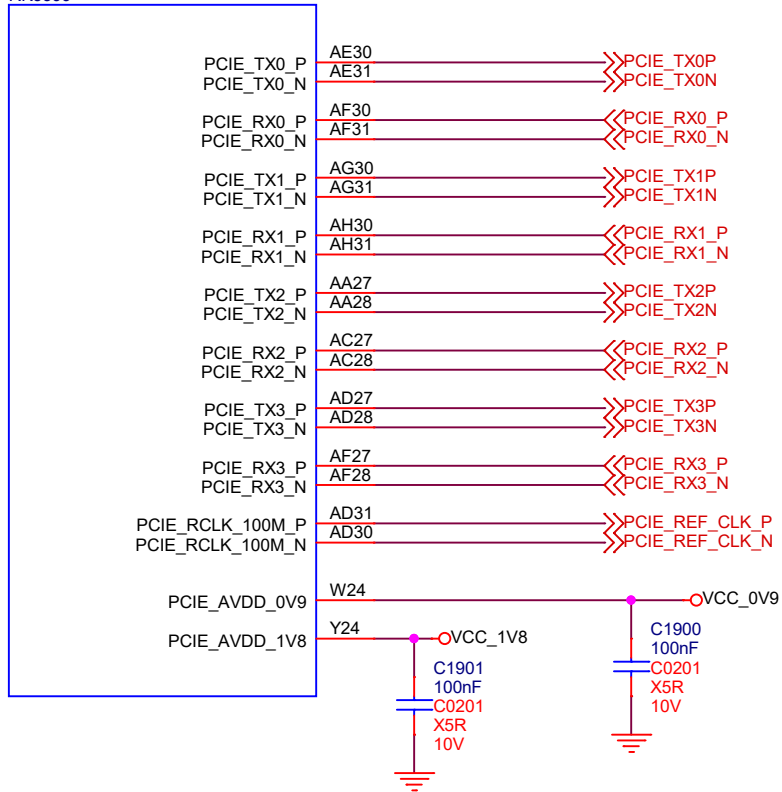
U1000G Note:RK3399 part G is 1.8V only
RK3399



U1000K Note:RK3399 part k is 1.8V/3.0V mode
RK3399



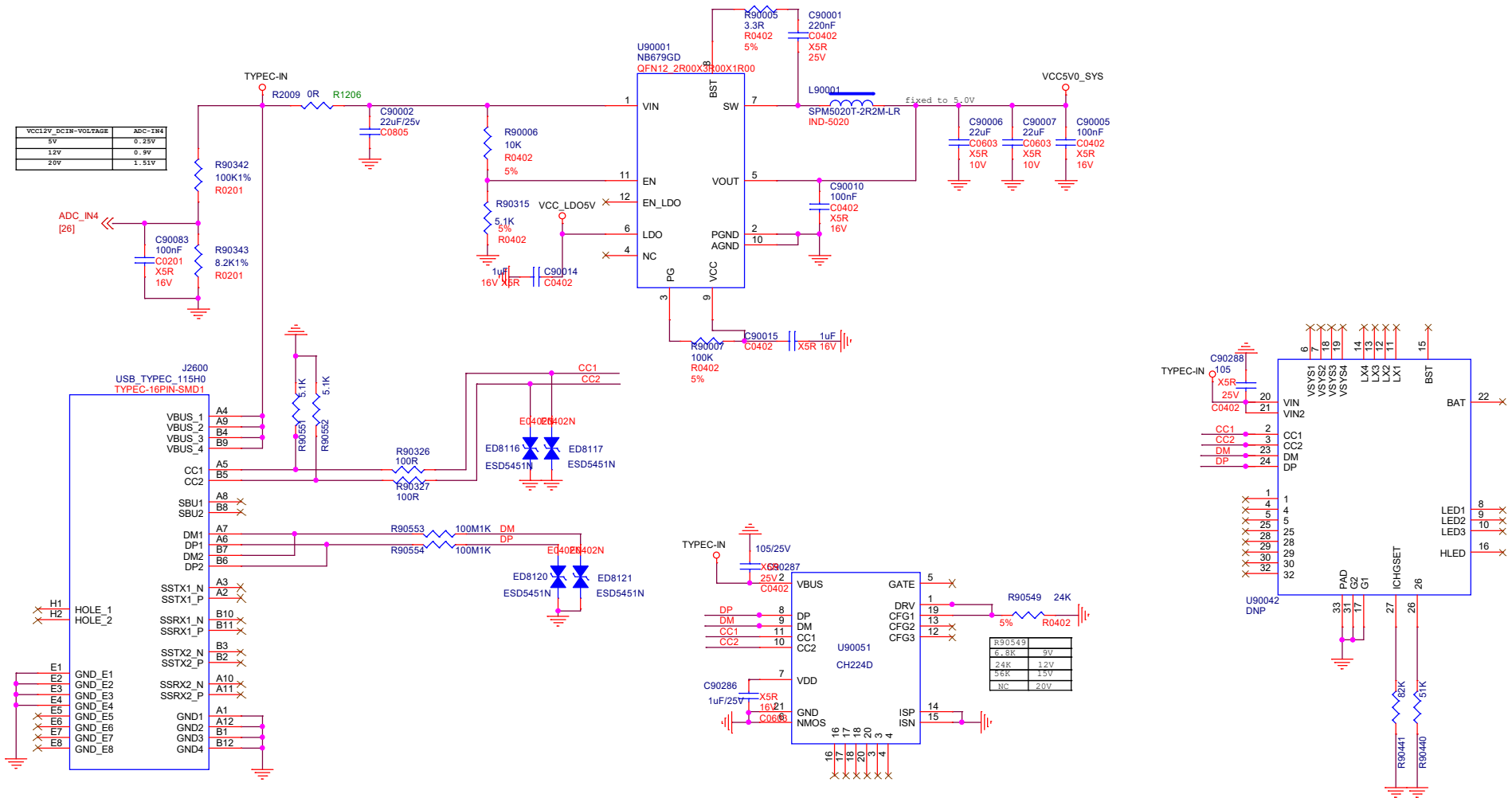
U10000
RK3399




Size	Title: ROCK 4 SE	REV
A4	Page Name: RK3399 PCIE	1.53
Date: Thursday, October 27, 2022	Sheet 15 of 27	

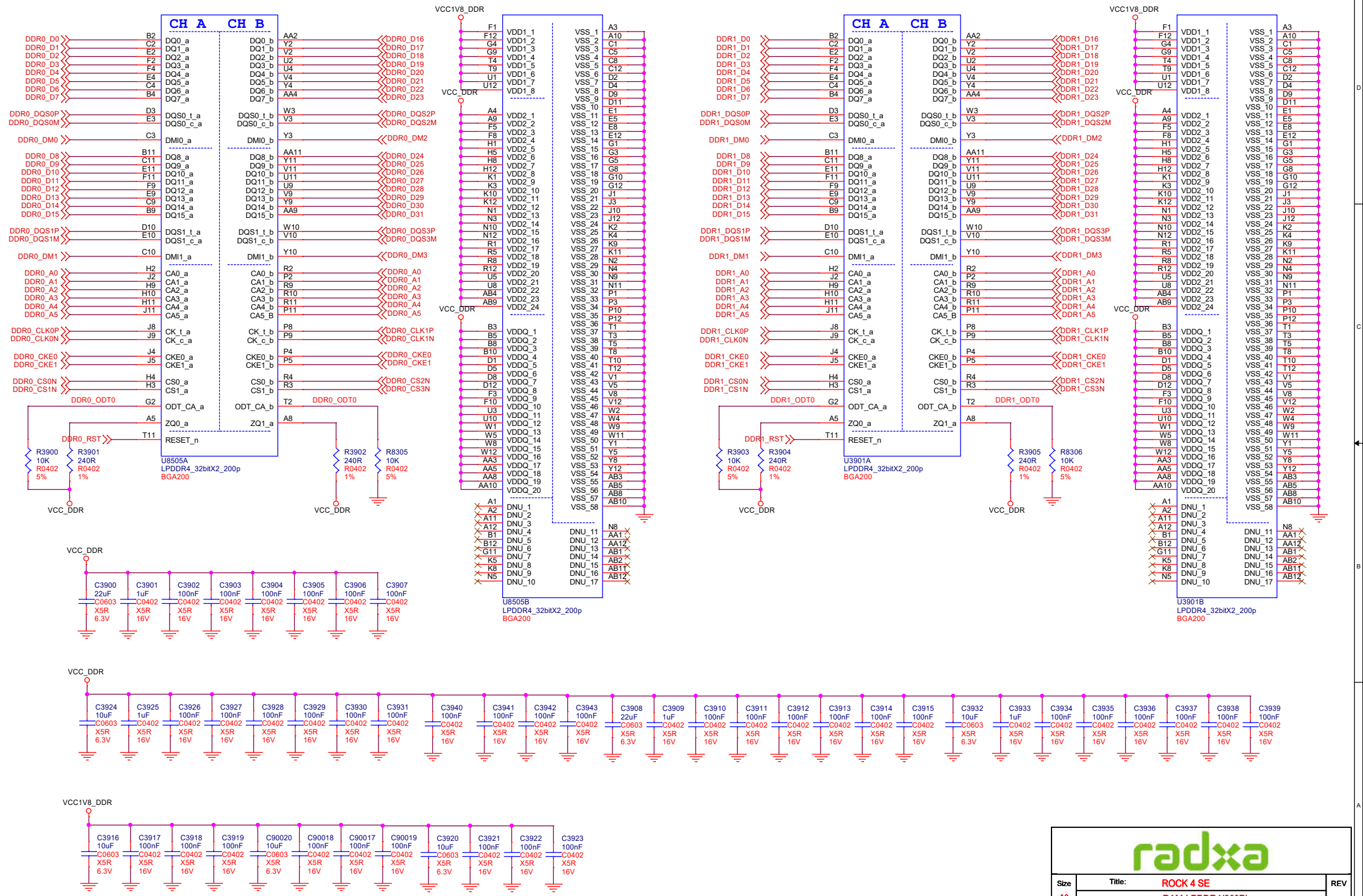
DC IN&SYSTEM Power

VCC12V_DCIN-VOLTAGE	ADC-IN4
3V	0.25V
12V	0.9V
25V	1.51V

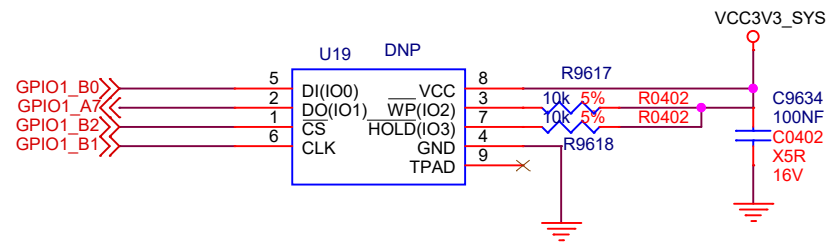
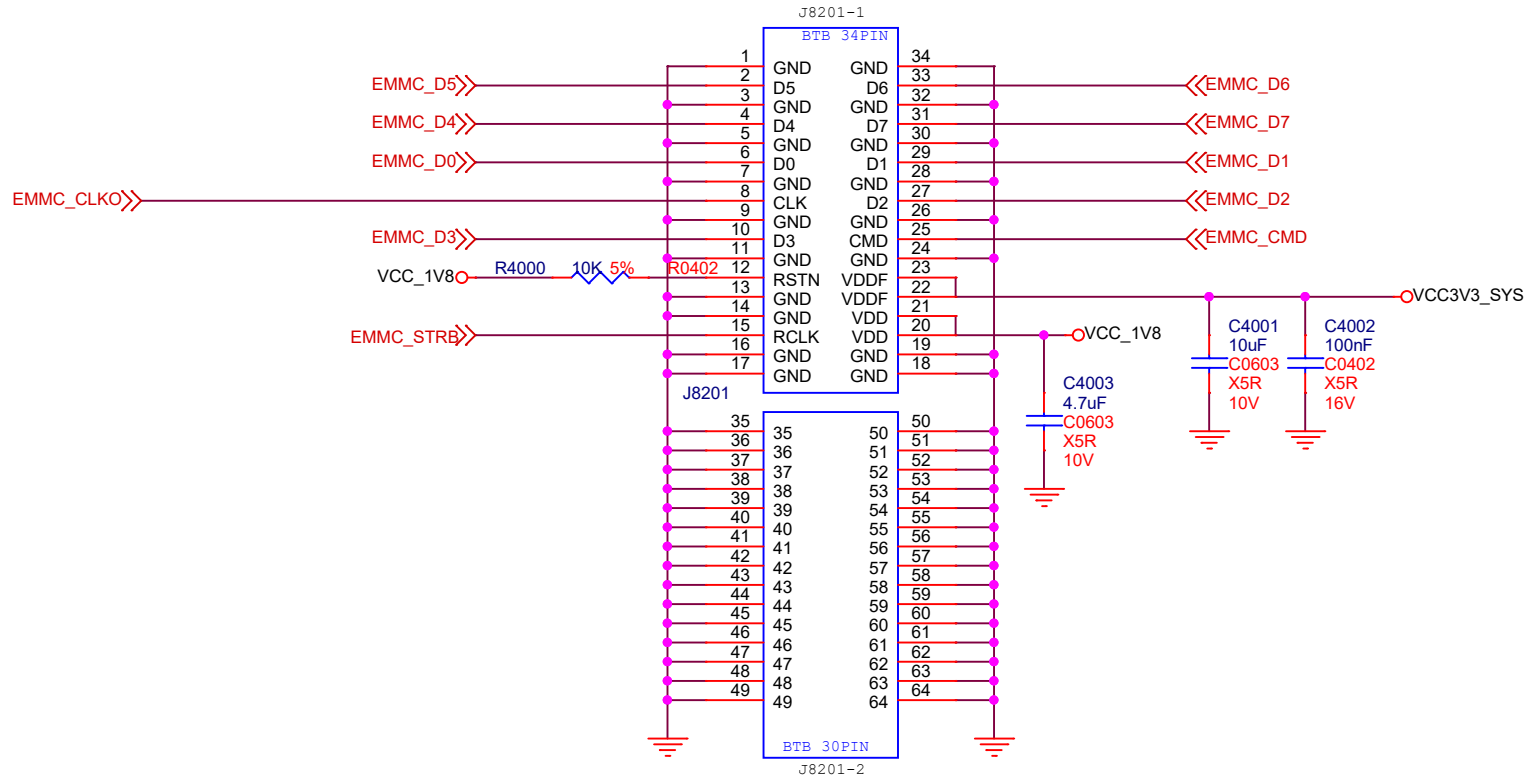


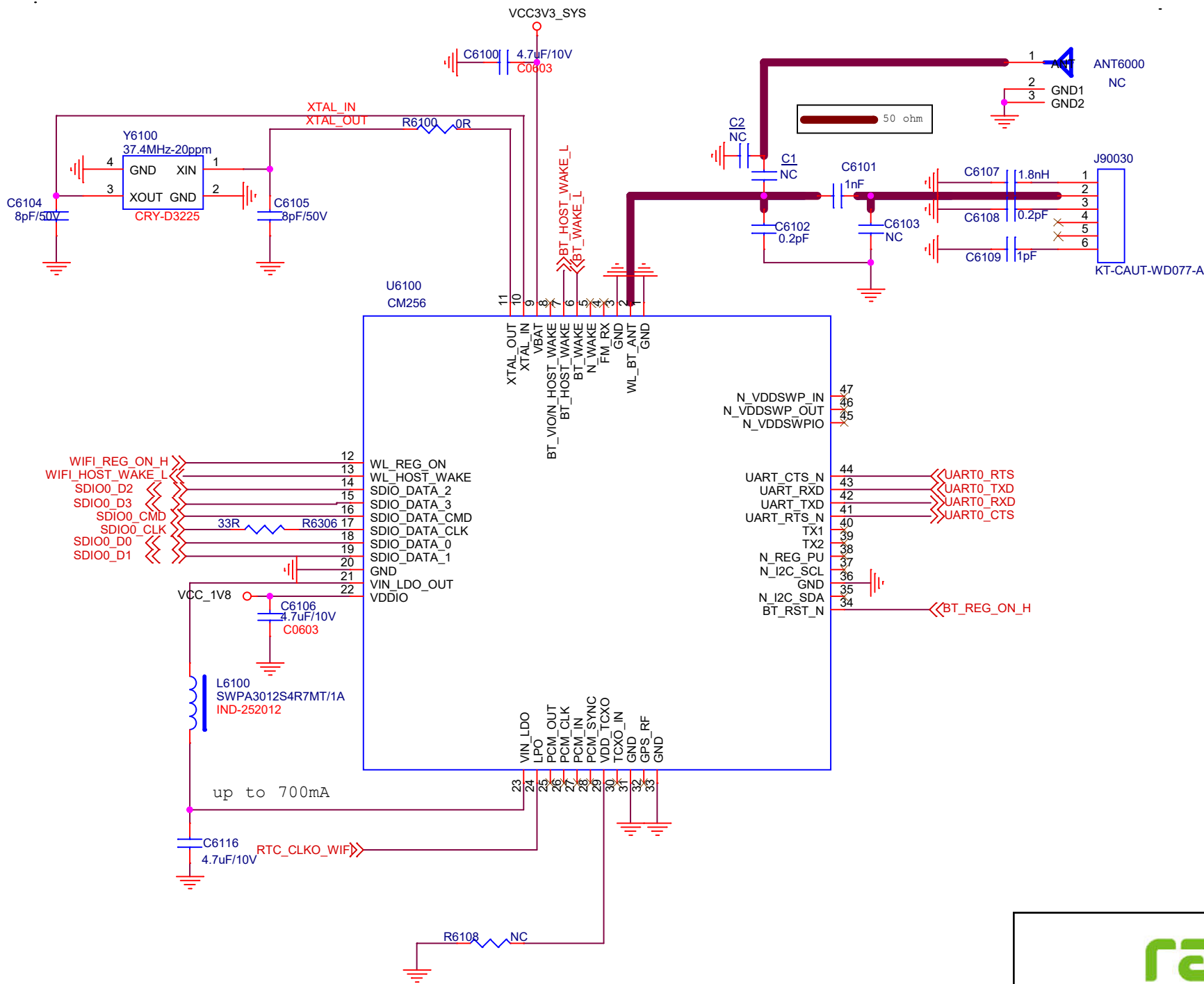


Size	Title: ROCK 4 SE	REV
A3	Page Name: Power-DC IN	1.53
Date: Thursday, October 27, 2022	Sheet 16 of 27	

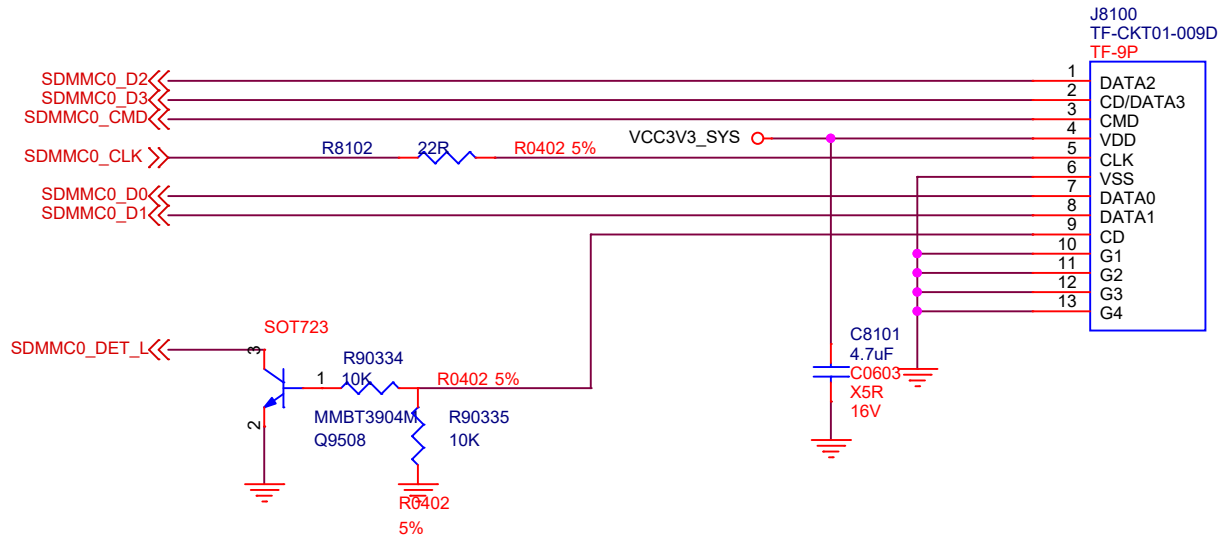


eMMC



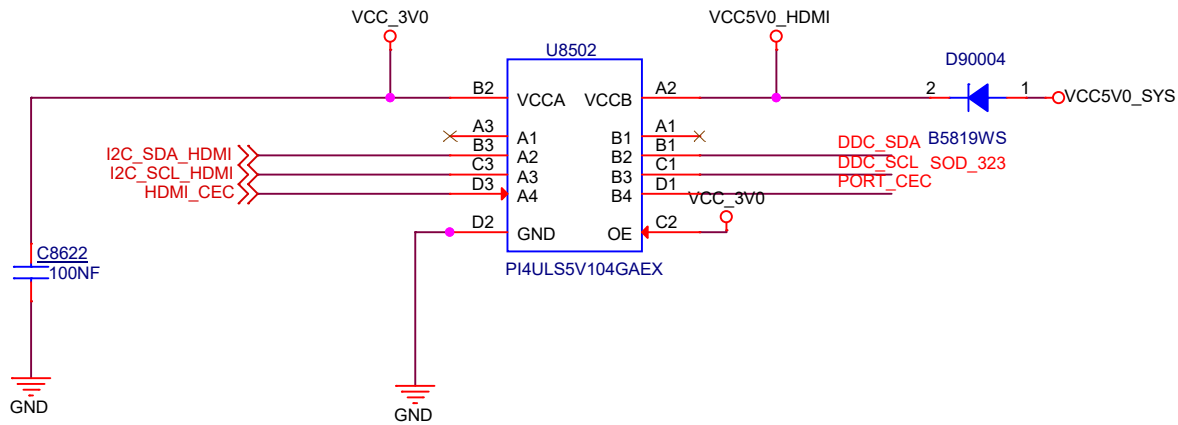
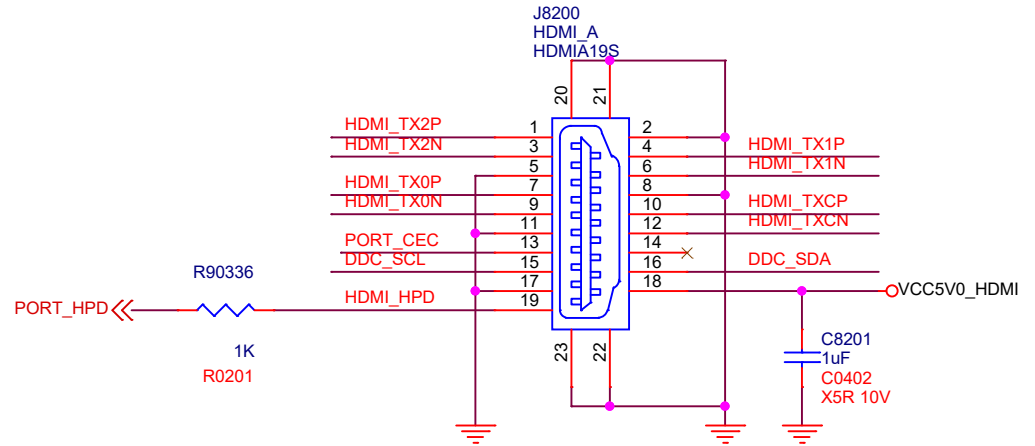
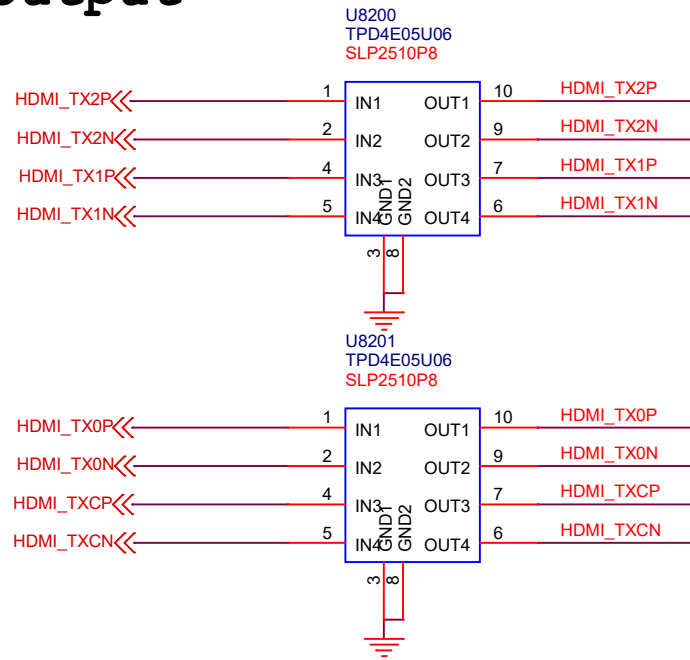


TF CARD



Size	Title: ROCK 4 SE	REV
A4	Page Name: TF Card	1.53
Date: Thursday, October 27, 2022	Sheet 23 of 27	

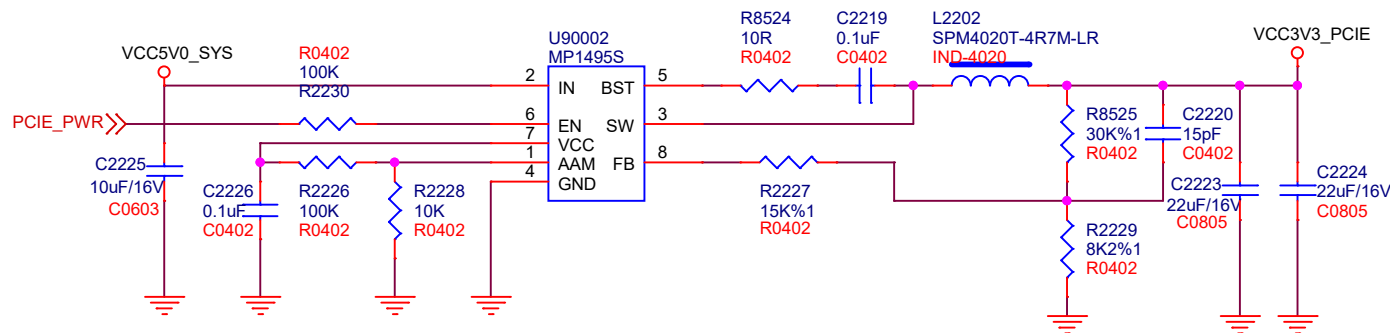
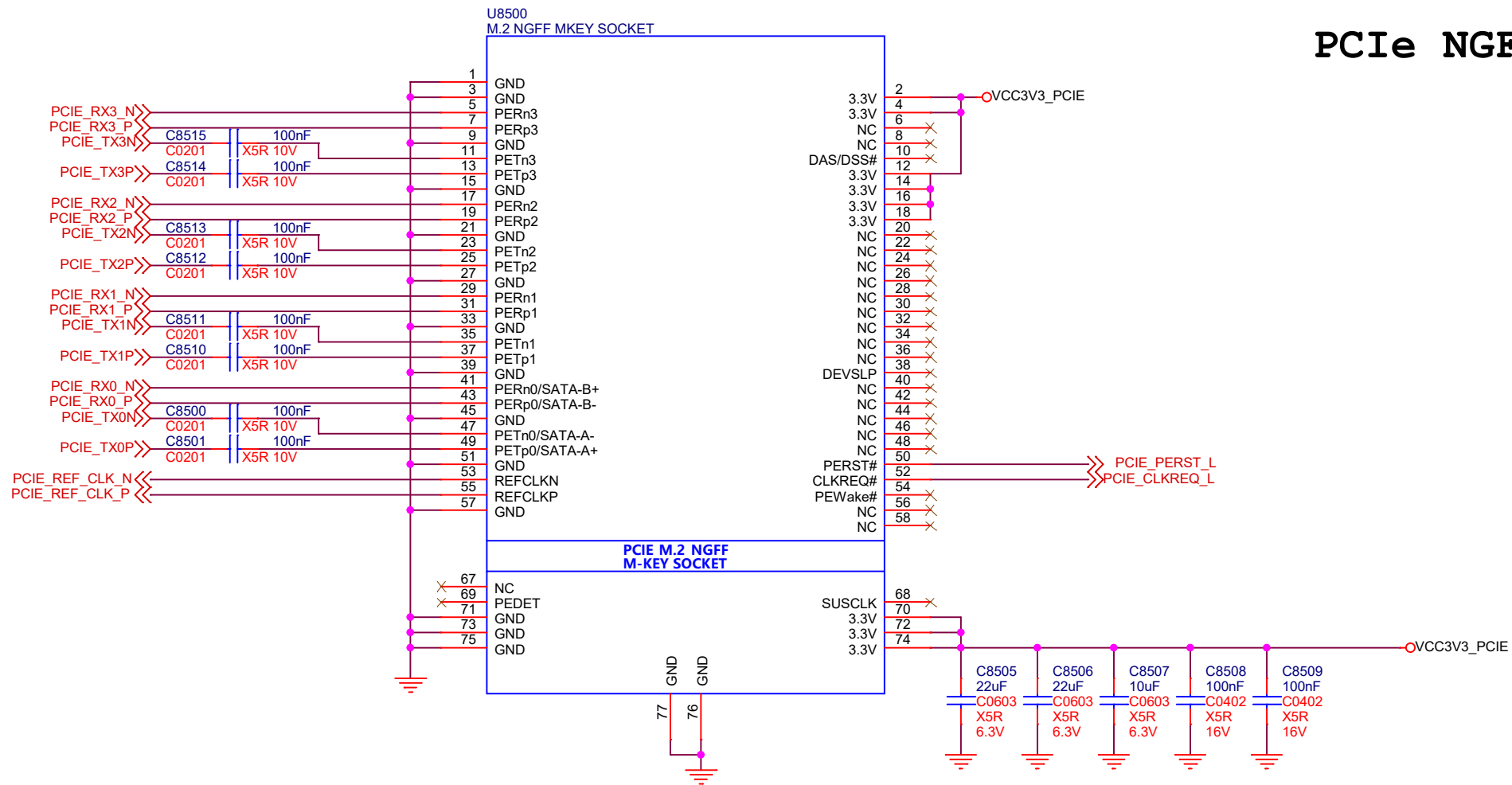
HDMI Output



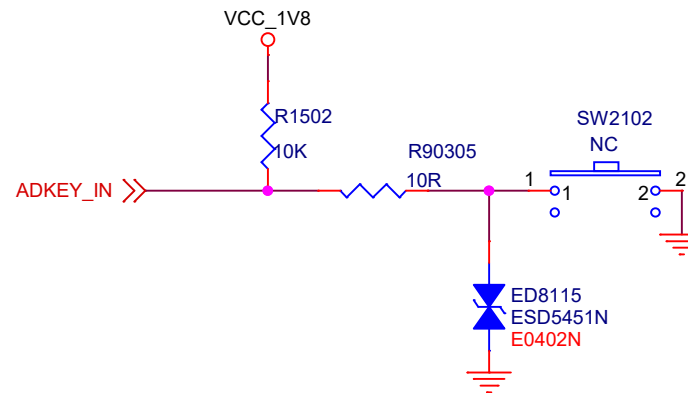
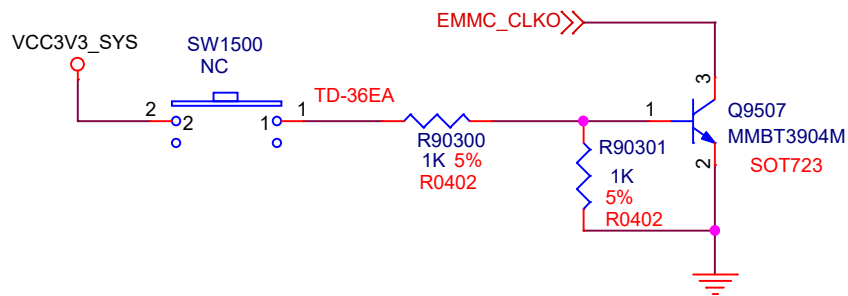
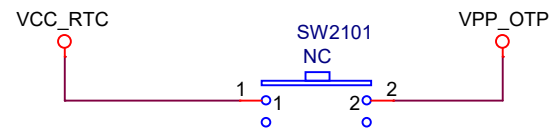
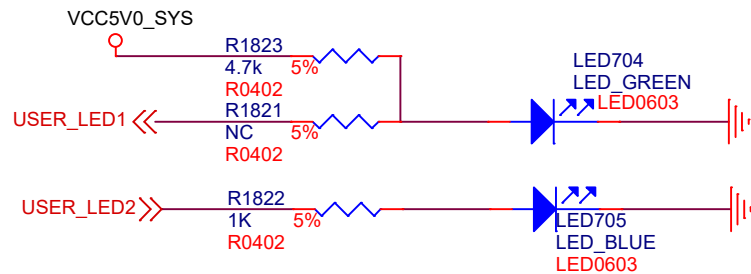
radxa

Size	Title: ROCK 4 SE	REV
A4	Page Name: HDMI Output	1.53
Date: Thursday, October 27, 2022	Sheet 24 of 27	

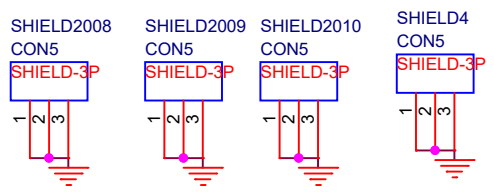
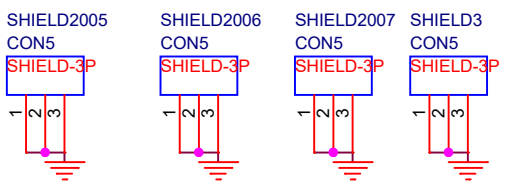
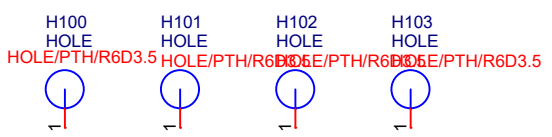
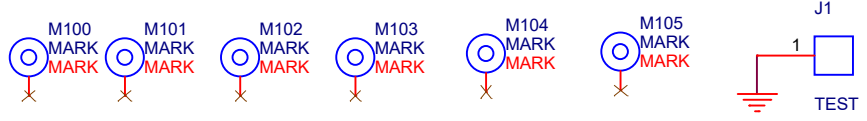
PCIe NGFF/M.2



Size	Title: ROCK 4 SE	REV
A4	Page Name: PCIe NGFF/M.2	1.53
Date: Thursday, October 27, 2022	Sheet 25 of 27	



Size	Title: ROCK 4 SE	REV
A	Page Name: FAN-KEY-LED	1.53
Date: Thursday, October 27, 2022	Sheet 26 of 27	



Size	Title: ROCK 4 SE	REV
A4	Page Name: HOLE	1.53
Date: Thursday, October 27, 2022	Sheet 27 of 27	