

4-Relay

SKU:U097



Description

4-Relay unit is an integrated 4-way relay module which can be controlled by I2C protocol. The maximum control voltage of each relay is AC-250V/DC-28V, the rated current is 10A and the instantaneous current can hold up to 16A. Each relay can be controlled independently, each on its own. Each relay has status (LED) indicator as well to show the state of the relay at any given time.

Product Features

- 4-way relay
- AC-250V/DC-28V/10A
- LED status indication
- I2C communication (0x26)

Include

- 1x 4-Relay Unit
- 1x Grove Cable(20cm)
- 4x VH-3.96-4P Plug terminal

Applications

- Digital signal switching
- Programmable power switch

Specification

Resources	Parameter
Maximum input voltage	AC-250V/DC-28V
Rated current	10A
Maximum instantaneous current	16A
Communication	I2C (0x26)
Net Weight	40g
Gross Weight	84g
Product Size	112*23*18mm
Package Size	125*65*22mm

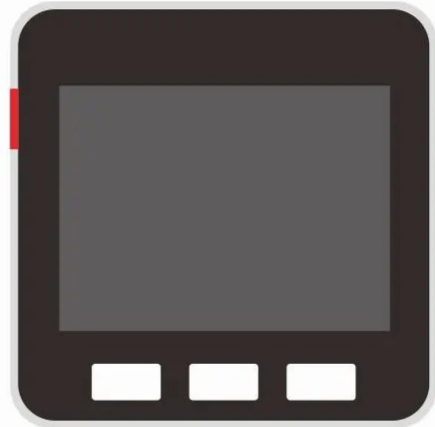
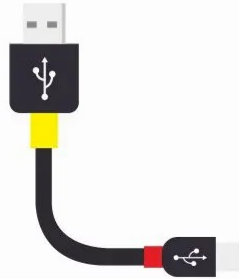
EasyLoader

EasyLoader is a precise and fast program writer which has a built-in functionalities related to the 4-Relay unit. The Easyloader program can burn the firmware to the main controller board by simple easy to follow steps. Please install the corresponding driver according to the device type. [Please click here to view the CP210X driver installation tutorial](#), M5StickC/V/T/ATOM series can be used without driver)

2, Select COM



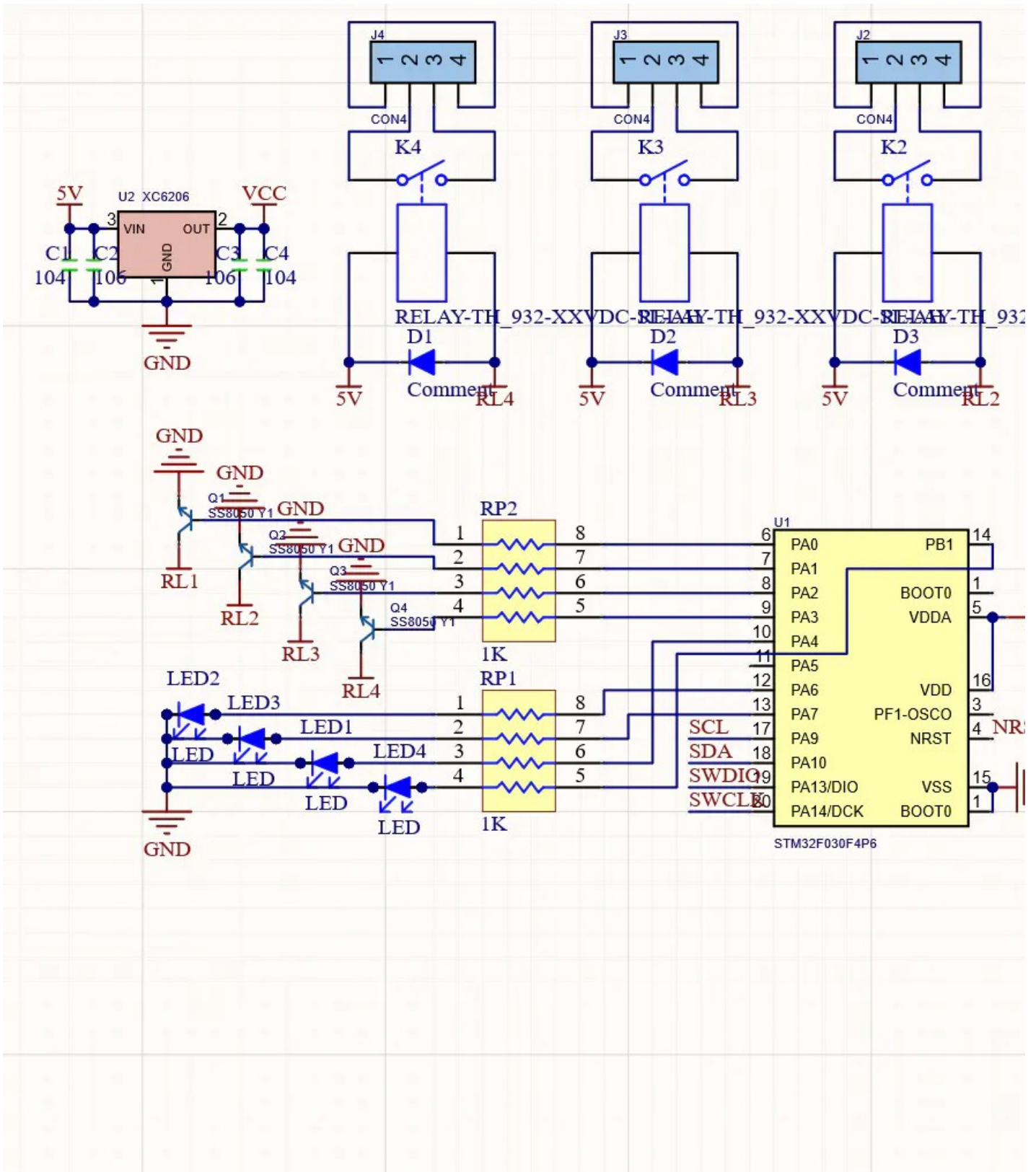
1, Downloads



Core \ M5StickC \ M5StickV...

3, Burn Firmware

Windows MacOS



PinMap

M5Core(GROVE A)	SDA(GPIO21)	SCL(GPIO22)	5V	GND
4-relay Unit	SDA	SCL	5V	GND

Protocol

- Protocol type I2C
- I2C Address: **0x26**

/*.....*/

|RELAY control reg | 0x10-0x11

|-----

|Relay_ctrl_mode_reg[0] 0x10 | R/W | System control

| 7 | 6 | 5 | 4 | 3 | 2 | 1 | 0 |

| R | R | R | R | R | R | R | Sync Mode |

| -Sync Mode:0 LED&Relay Async

| -Sync Mode:1 LED&Relay Sync

//-----

|Relay_ctrl_mode_reg[1] 0x11 | R/W | Relay & LED control

| 7 | 6 | 5 | 4 | 3 | 2 | 1 | 0 |

| LED1 | LED2 | LED3 | LED4 | RLY1 | RLY2 | RLY3 | RLY4 |

/*-----*/

| Example

1. Arduino

[click here to get Arduino example](#)

Last updated: 2020-12-11