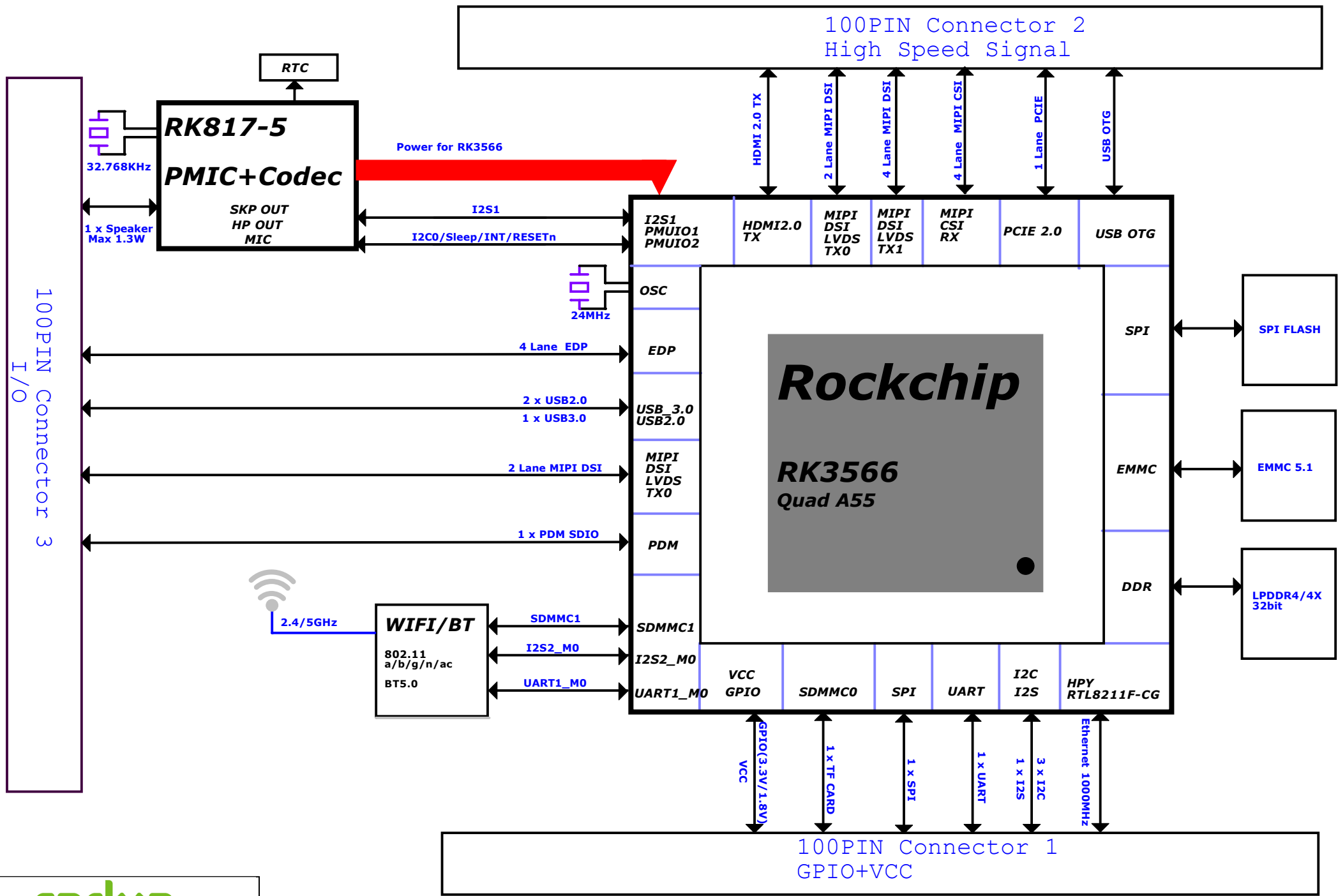


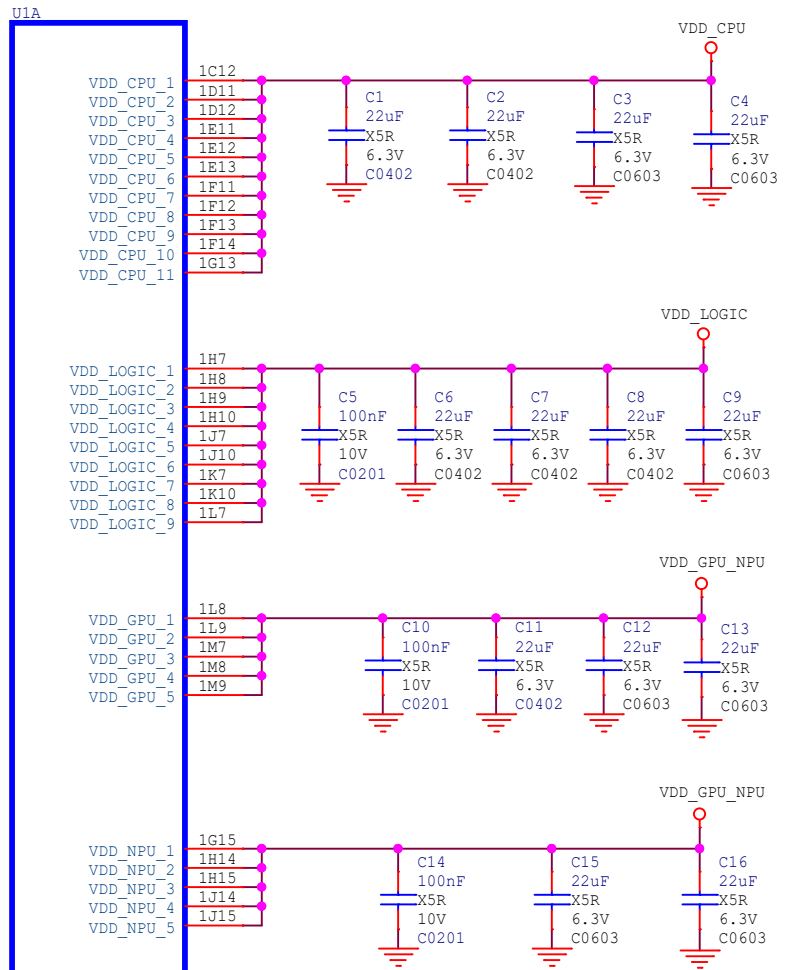
Table of Content

Page 1	01.Index
Page 2	02.Revision History
Page 3	03.Block Diagram
Page 4	04.RK3566_Power/GND
Page 5	05.RK3566_DDR_PHY
Page 6	06.RK3566_OSC/PLL/PMUIO
Page 7	07.RK3566_Flash/SD
Page 8	08.RK3566_USB/PCIe/SATA/PHY
Page 9	09.RK3566_SARADC/GPIO
Page 10	10.RK3566_VI_Interface
Page 11	11.RK3566_VO_Interface_1
Page 12	12.RK3566_VO_Interface_2
Page 13	13.RK3566_Audio_Interface
Page 14	14.SPI Flash
Page 15	15.LPDDR4X_1x32Bit_200P
Page 16	16.Memory-eMMC
Page 17	17.WIFI/BT-SDIO
Page 18	18.Ethernet-1000MHz
Page 19	19.Power PMIC
Page 20	20.Power IN
Page 21	21.GPIO+VCC_Connector
Page 22	22.High Speed Serial_Connector
Page 23	23.IO_Connector



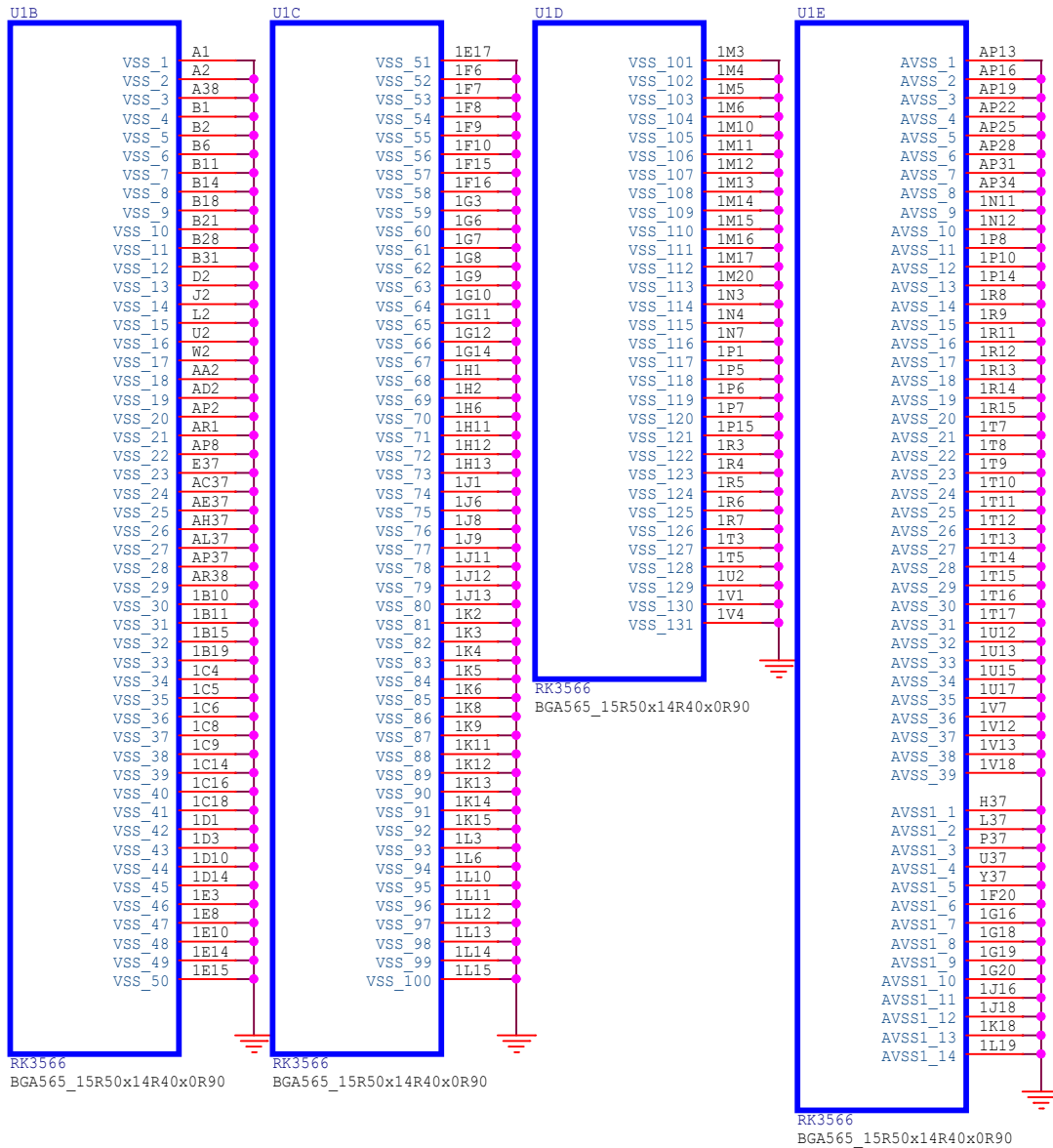


RK3566_ABCDE (Power&GND)



Caps should be placed close to the U1000 package

RK3566
BGA565_15R50x14R40x0R90



RK3566
BGA565_15R50x14R40x0R90

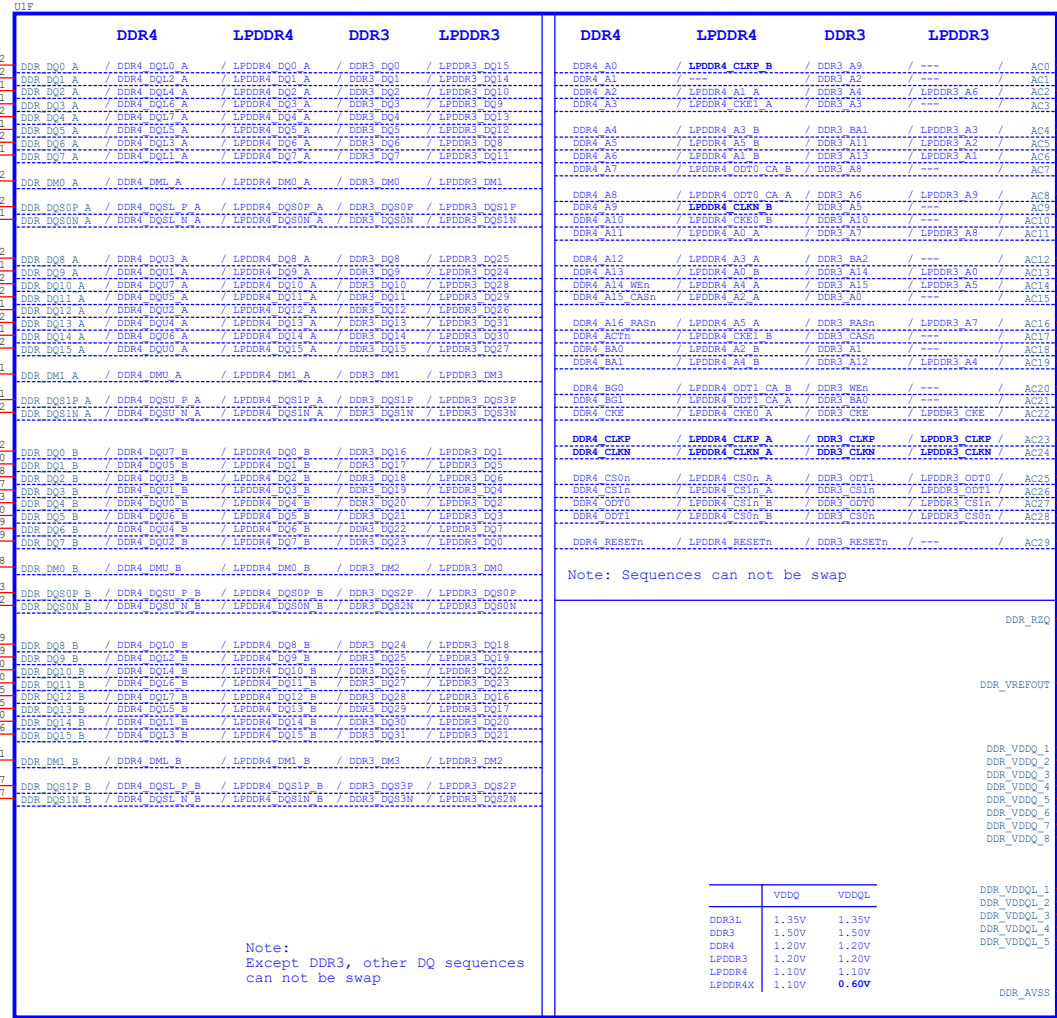
RK3566
BGA565_15R50x14R40x0R90

RK3566
BGA565_15R50x14R40x0R90



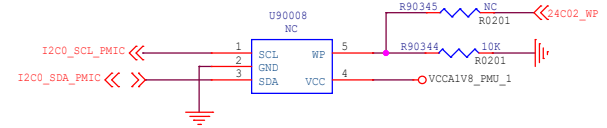
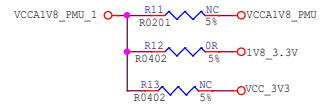
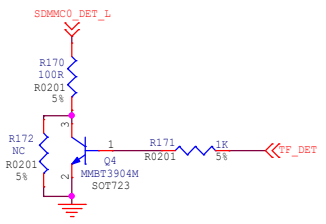
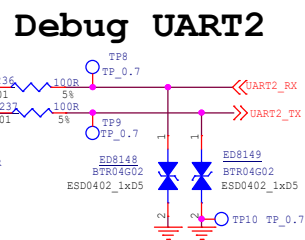
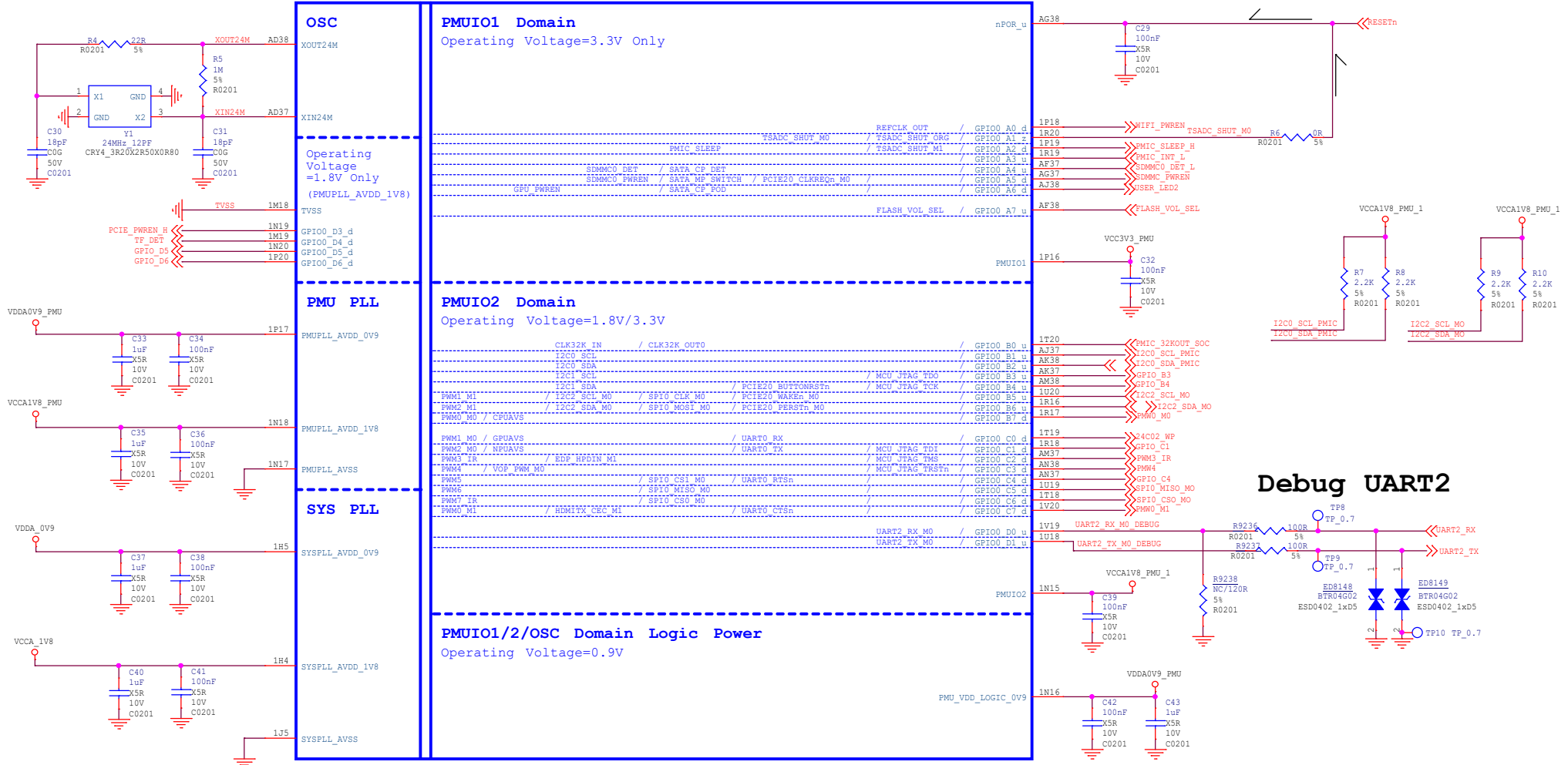
Size	Title: ROCK3 Compute Module	REV
A4	Page Name: RK3566_Power/GND	V1.31A
Date: Monday, October 10, 2022	Sheet 04 of 23	

RK3566_F (DDR PHY)



RK3566_G (OSC/PLL/PMUIO1/2)

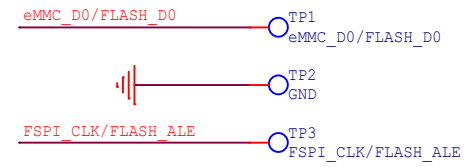
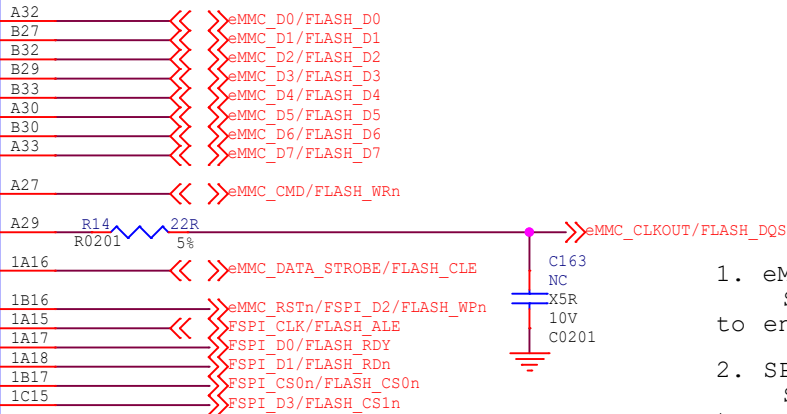
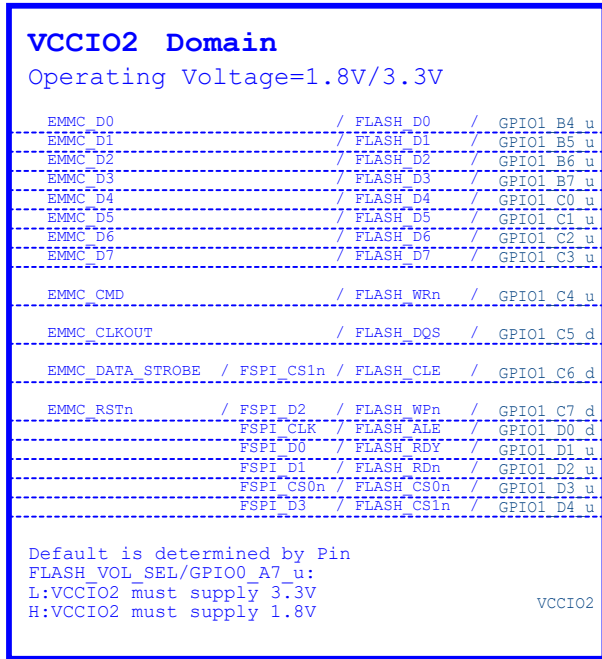
U1G
RK3566
BGA565_15R50x14R40x0R90



radxa

Size	Title: ROCK3 Compute Module	REV
A3	Page Name: RK3566_OSC/PLL/PMUIO	V1.31A
Date: Wednesday, November 23, 2022	Sheet 06	of 23

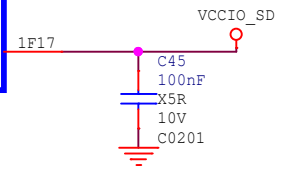
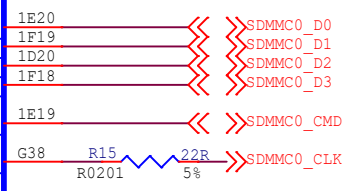
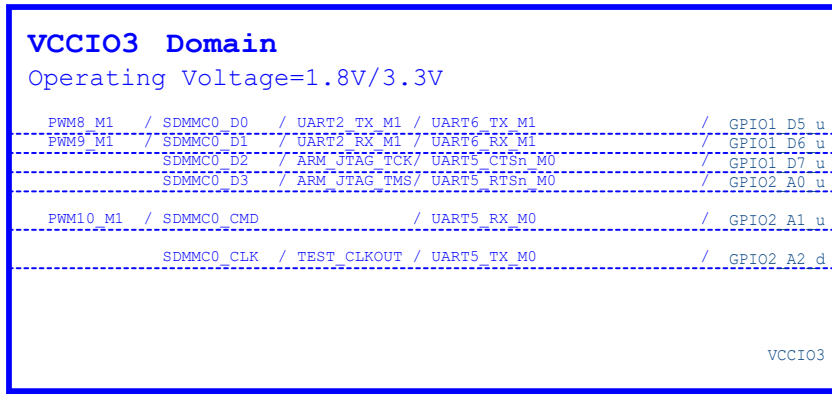
RK3566_I (VCCIO2 Domain)



1. eMMC or Nand Flash:
Short 'eMMC_D0/FLASH_D0' and GND to enter Maskrom Mode.
2. SPI Flash:
Short 'FSPI_CLK/FLASH_ALE' and GND to enter Maskrom Mode.

U1I
RK3566
BGA565_15R50x14R40x0R90

RK3566_J (VCCIO3 Domain)



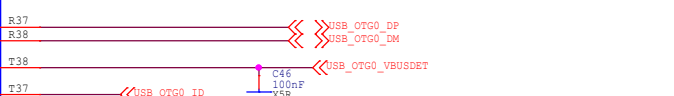
U1J
RK3566
BGA565_15R50x14R40x0R90



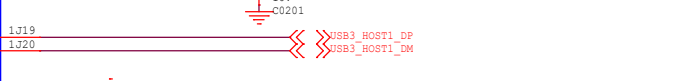
Size	Title: ROCK3 Compute Module	REV
A4	Page Name: RK3566_Flash/SD	V1.31A
Date: Monday, October 10, 2022	Sheet 07 of 23	

RK3566_U (USB3.0/PCIe2.0x1/SATA)

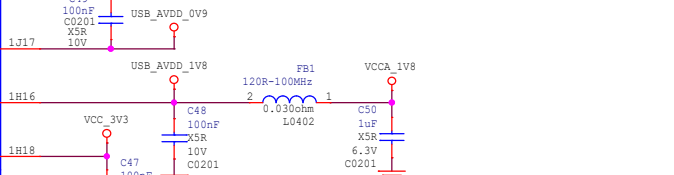
USB2.0 OTG_0 (Download Port)



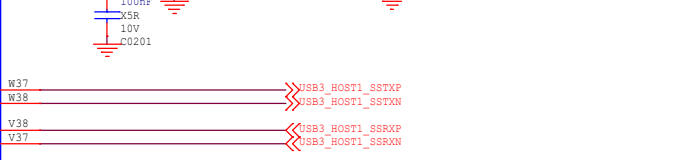
USB2.0 HOST_1 (DP/DM for USB3.0 HOST)



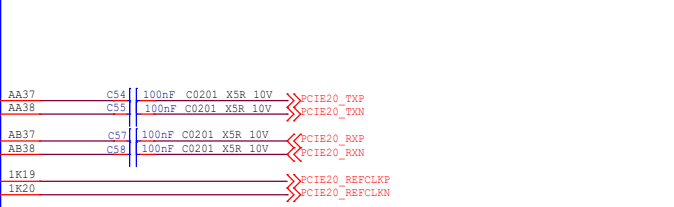
USB2.0 Power (for OTG_0 and HOST_1)



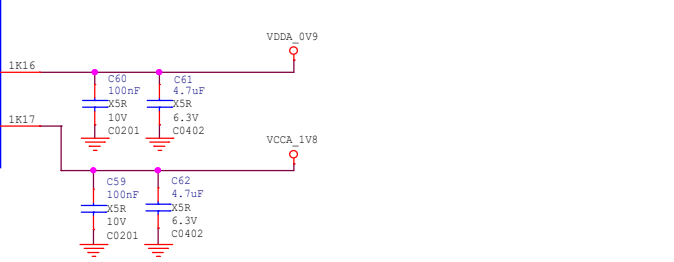
MULTI PHY U_S (SS for USB3.0 HOST or SATA3_1)



MULTI PHY P_S (PCIe2.0 or SATA3_2)



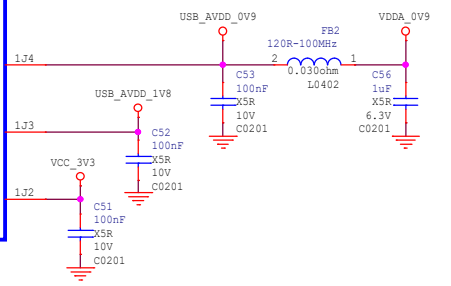
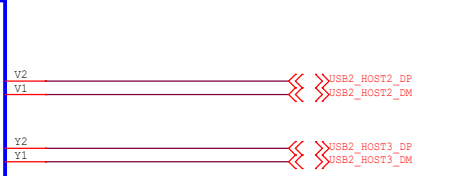
MULTI PHY Power (for MULTI PHY U_S and P_S)



U10
RK3566
BGA565_15R50x14R40x0R90

RK3566_V (USB2.0 HOST)

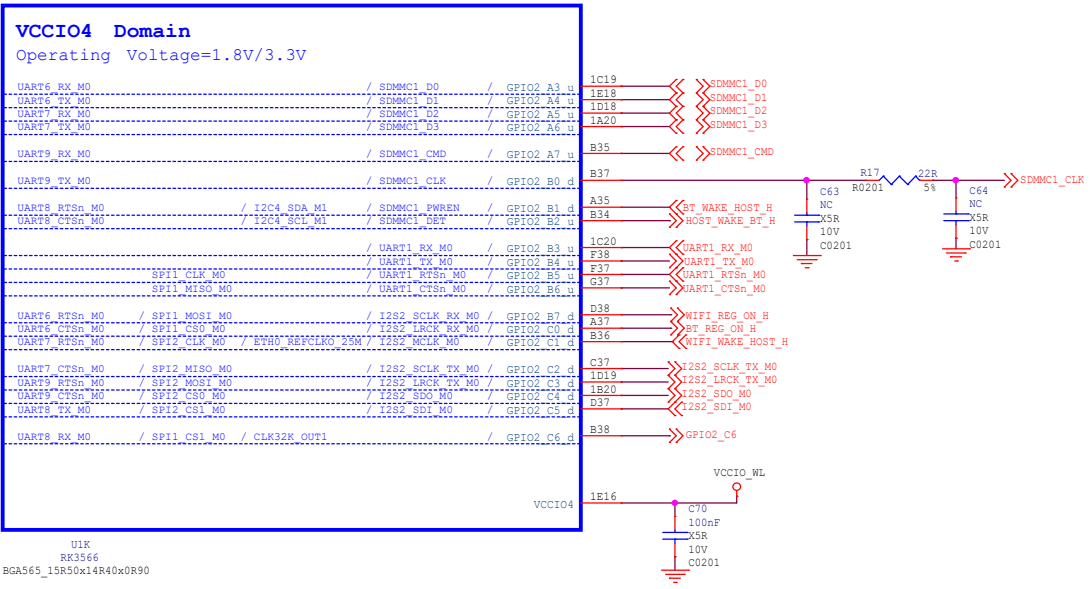
USB2.0 (for HOST_2 and HOST_3)



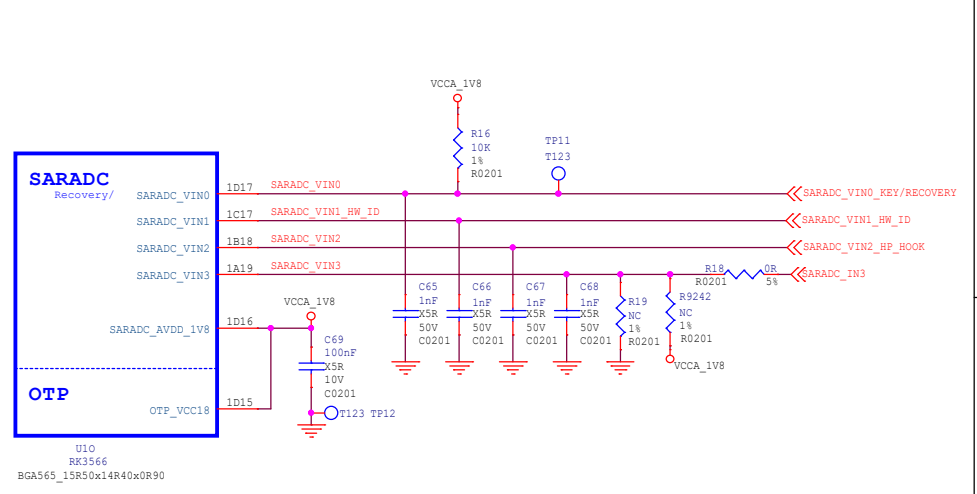
U1V
RK3566
BGA565_15R50x14R40x0R90



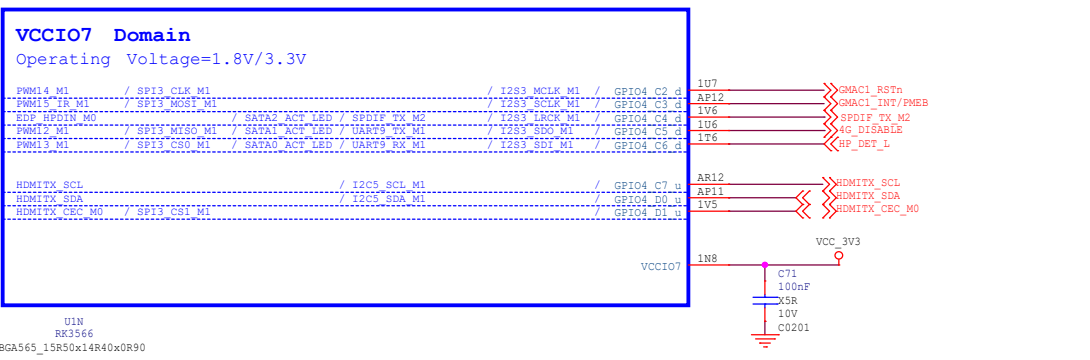
RK3566_K (VCCIO4 Domain)



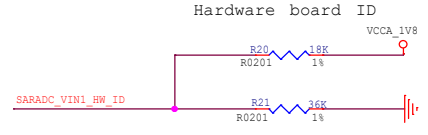
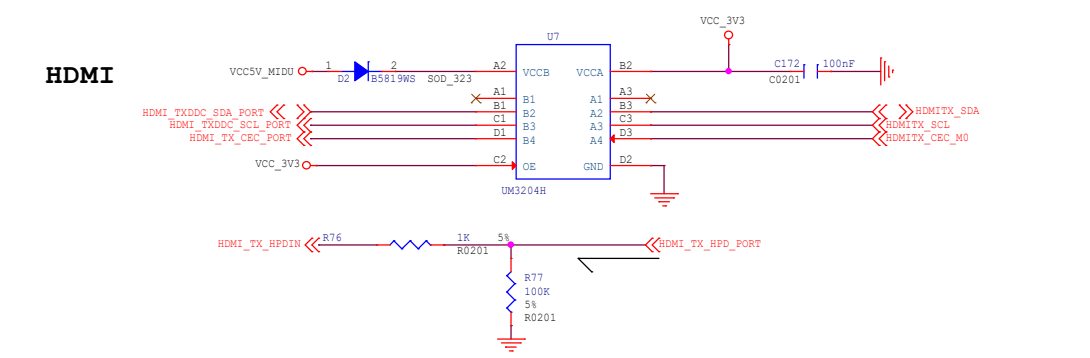
RK3566_O (SARADC/OTP)



RK3566_N (VCCIO7 Domain)

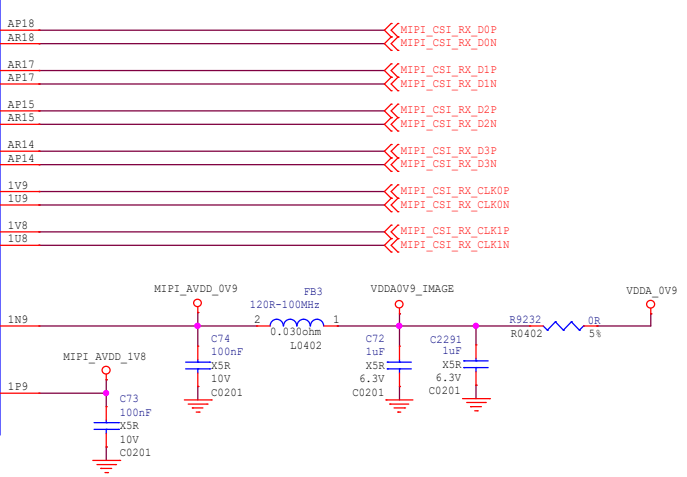
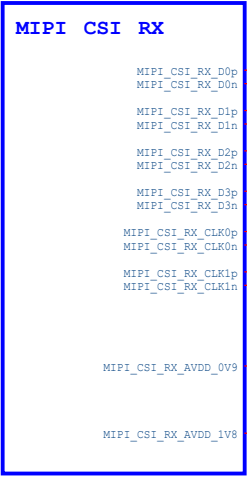


SARADC_VIN1_HW_ID	Rup	Rdown	ADC
G	10K	DNP	
Version 1.2	20K	100K	
Version 1.3	18K	36K	
A	DNP	100K	
B	100K	20K	
C	100K	51K	
D	100K	100K	
E			
F			
NC	DNP	DNP	



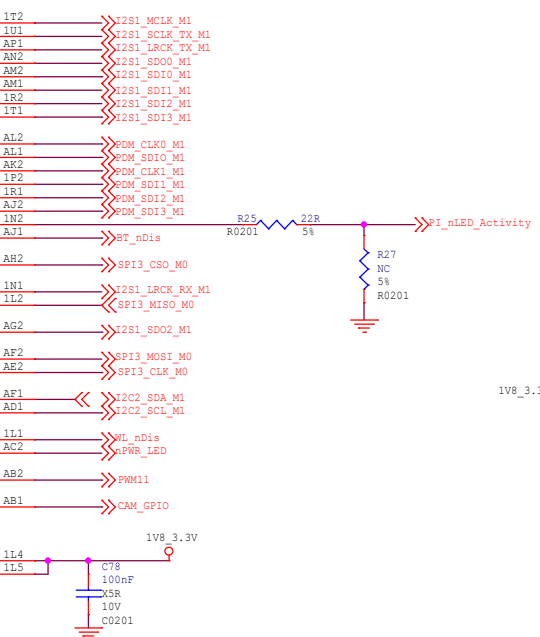
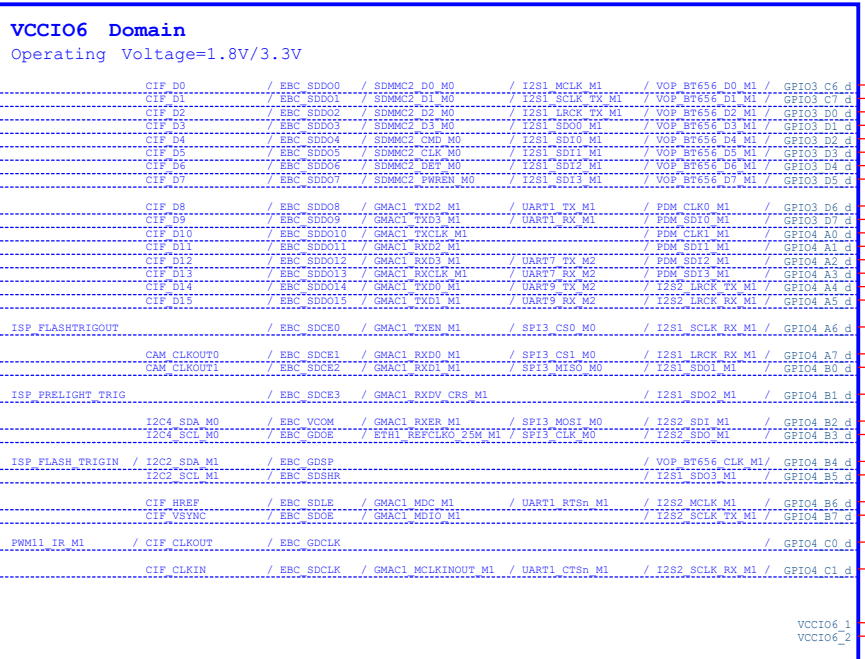
Size	Title: ROCK3 Compute Module	REV
A3	Page Name: RK3566_SARADC/GPIO	V1.31A
Date: Monday, October 10, 2022	Sheet 09	of 23

RK3566_P (MIPI_CSI_RX)



U1P
RK3566
BGA565_15R50x14R40x0R90

RK3566_M (VCCIO6 Domain)



U1M
RK3566
BGA565_15R50x14R40x0R90



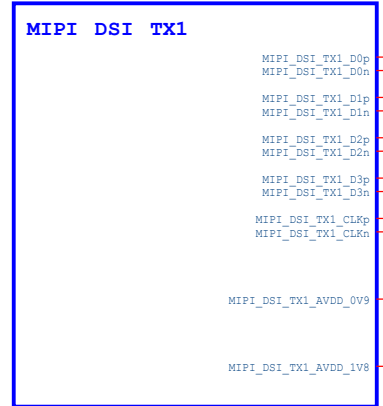
Size	Title: ROCK3 Compute Module	REV
A3	Page Name: RK3566_VI_Interface	V1.31A
Date: Wednesday, November 23, 2022	Sheet 10 of 23	

RK3566_R (MIPI_DSI_TX0/LVDS_TX0)



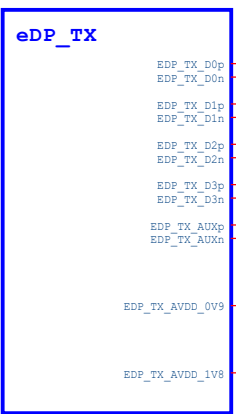
U1R
 RK3566
 BGA565_15R50x14R40x0R90

RK3566_S (MIPI_DSI_TX1)



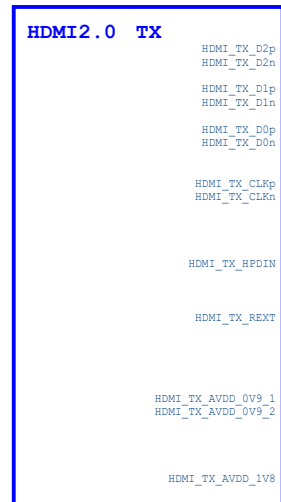
U1S
 RK3566
 BGA565_15R50x14R40x0R90

RK3566_T (eDP TX)



U1T
 RK3566
 BGA565_15R50x14R40x0R90

RK3566_Q (HDMI2.0 TX)



U1Q
 RK3566
 BGA565_15R50x14R40x0R90



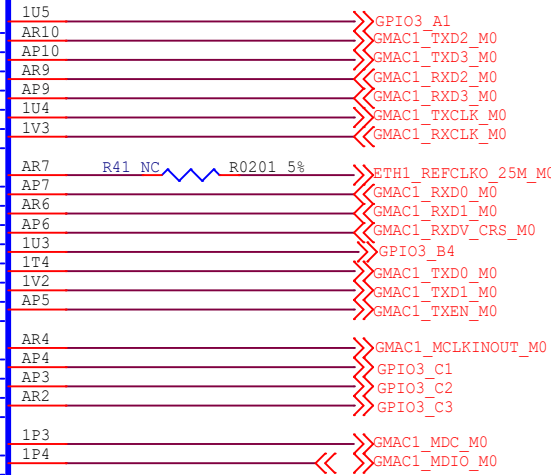
Size	Title: ROCK3 Compute Module	REV
A3	Page Name: RK3566_VO_Interface_1	V1.31A
Date: Monday, October 10, 2022	Sheet 11 of 23	

RK3566_L (VCCIO5 Domain)

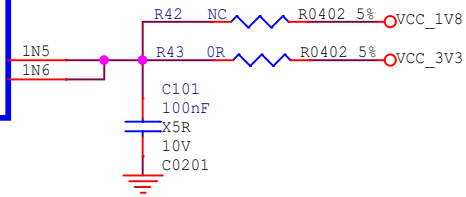
VCCIO5 Domain

Operating Voltage=1.8V/3.3V

VOP_BT1120_D0	/ SPI1_CS0_M1			/ SDMMC2_D0_M1	/ GPIO3_A1_d
VOP_BT1120_D1		/ GMAC1_TXD2_M0	/ I2S3_MCLK_M0	/ SDMMC2_D1_M1	/ GPIO3_A2_d
VOP_BT1120_D2		/ GMAC1_TXD3_M0	/ I2S3_SCLK_M0	/ SDMMC2_D2_M1	/ GPIO3_A3_d
VOP_BT1120_D3		/ GMAC1_RXD2_M0	/ I2S3_LRCK_M0	/ SDMMC2_D3_M1	/ GPIO3_A4_d
VOP_BT1120_D4		/ GMAC1_RXD3_M0	/ I2S3_SDO_M0	/ SDMMC2_CMD_M1	/ GPIO3_A5_d
VOP_BT1120_CLK		/ GMAC1_TXCLK_M0	/ I2S3_SBI_M0	/ SDMMC2_CLK_M1	/ GPIO3_A6_d
VOP_BT1120_D5		/ GMAC1_RXCLK_M0		/ SDMMC2_DET_M1	/ GPIO3_A7_d
VOP_BT1120_D6		/ ETH1_REFCLK0_25M_M0		/ SDMMC2_PWREN_M1	/ GPIO3_B0_d
PWM8_M0	/ VOP_BT1120_D7	/ GMAC1_RXD0_M0	/ UART4_RX_M1		/ GPIO3_B1_d
PWM9_M0	/ VOP_BT1120_D8	/ GMAC1_RXD1_M0	/ UART4_TX_M1		/ GPIO3_B2_d
VOP_BT1120_D9	/ I2C5_SCL_M0	/ GMAC1_RXDV_CRS_M0		/ PDM_SDI0_M2	/ GPIO3_B3_d
VOP_BT1120_D10	/ I2C5_SDA_M0	/ GMAC1_RXER_M0		/ PDM_SDI1_M2	/ GPIO3_B4_d
PWM10_M0	/ VOP_BT1120_D11	/ I2C3_SCL_M1	/ GMAC1_TXD0_M0		/ GPIO3_B5_d
PWM11_IR_M0	/ VOP_BT1120_D12	/ I2C3_SDA_M1	/ GMAC1_TXD1_M0		/ GPIO3_B6_d
PWM12_M0		/ GMAC1_TXEN_M0	/ UART3_TX_M1	/ PDM_SDI2_M2	/ GPIO3_B7_d
PWM13_M0		/ GMAC1_MCLKINOUT_M0	/ UART3_RX_M1	/ PDM_SDI3_M2	/ GPIO3_C0_d
VOP_BT1120_D13	/ SPI1_MOSI_M1		/ PCIE20_PERSn_M1	/ I2S1_SDO2_M2	/ GPIO3_C1_d
VOP_BT1120_D14	/ SPI1_MISO_M1		/ UART5_TX_M1	/ I2S1_SDO3_M2	/ GPIO3_C2_d
VOP_BT1120_D15	/ SPI1_CLK_M1		/ UART5_RX_M1	/ I2S1_SCLK_RX_M2	/ GPIO3_C3_d
PWM14_M0	/ VOP_PWM_M1	/ GMAC1_MDC_M0	/ UART7_TX_M1	/ PDM_CLK1_M2	/ GPIO3_C4_d
PWM15_IR_M0	/ SPDIF_TX_M1	/ GMAC1_MDIO_M0	/ UART7_RX_M1	/ I2S1_LRCK_RX_M2	/ GPIO3_C5_d



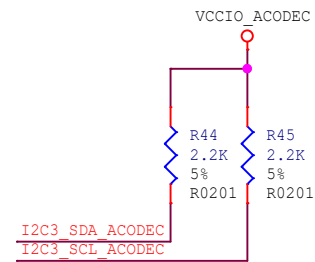
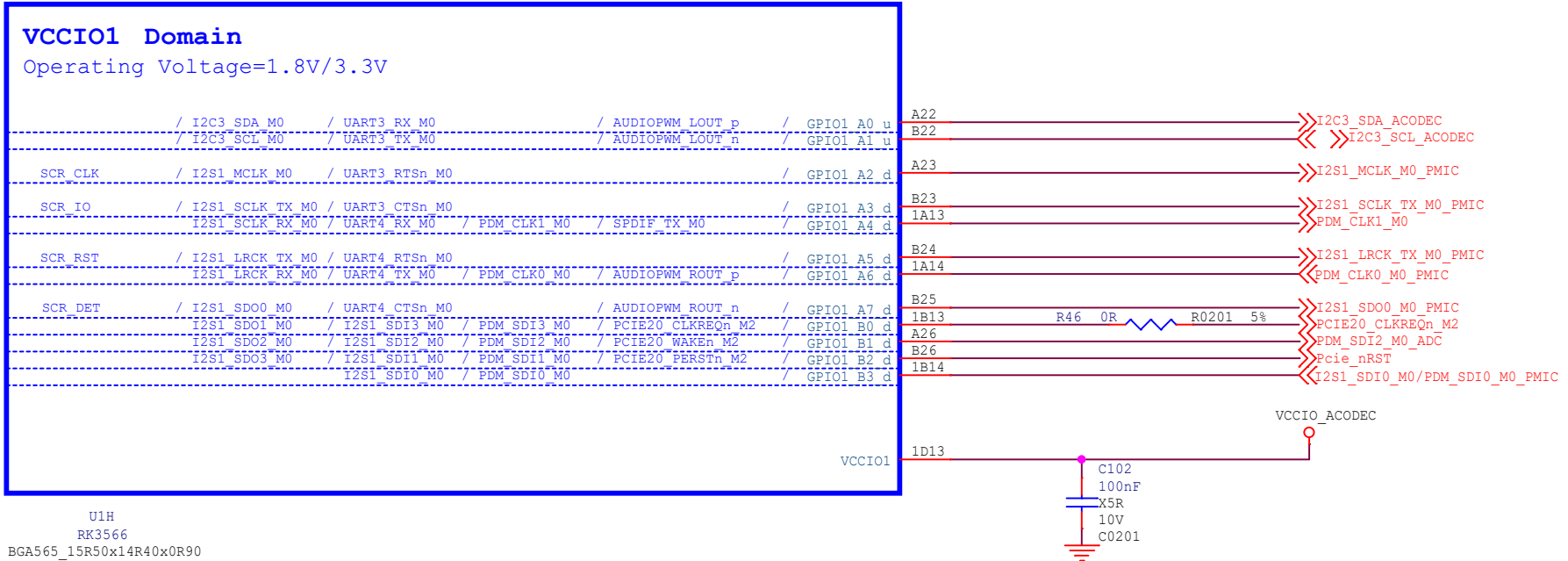
VCCIO5_1
VCCIO5_2

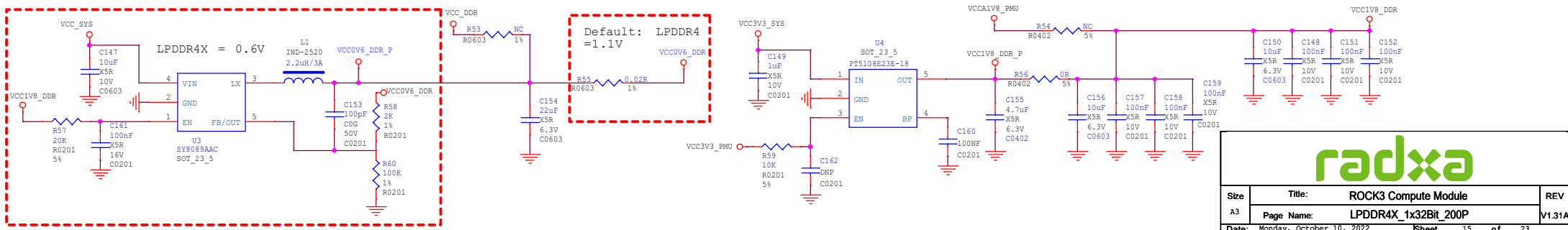
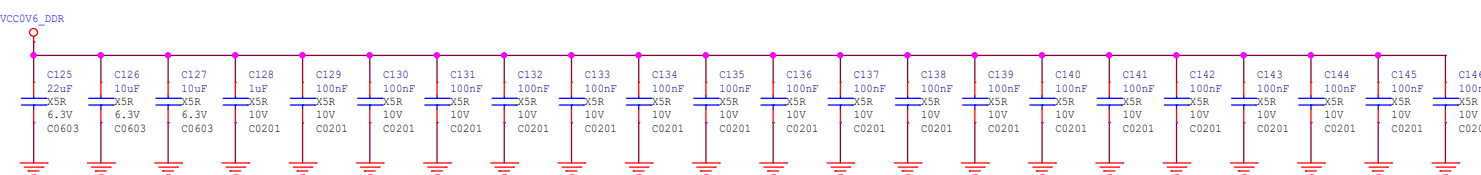
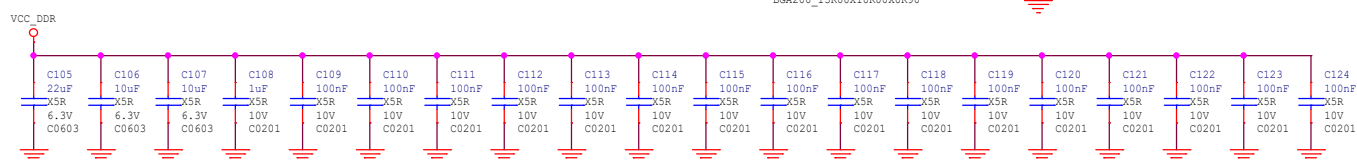
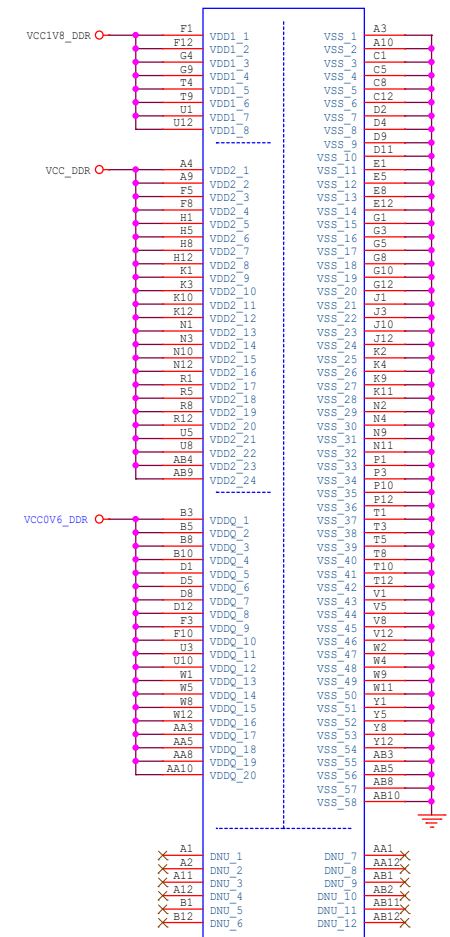
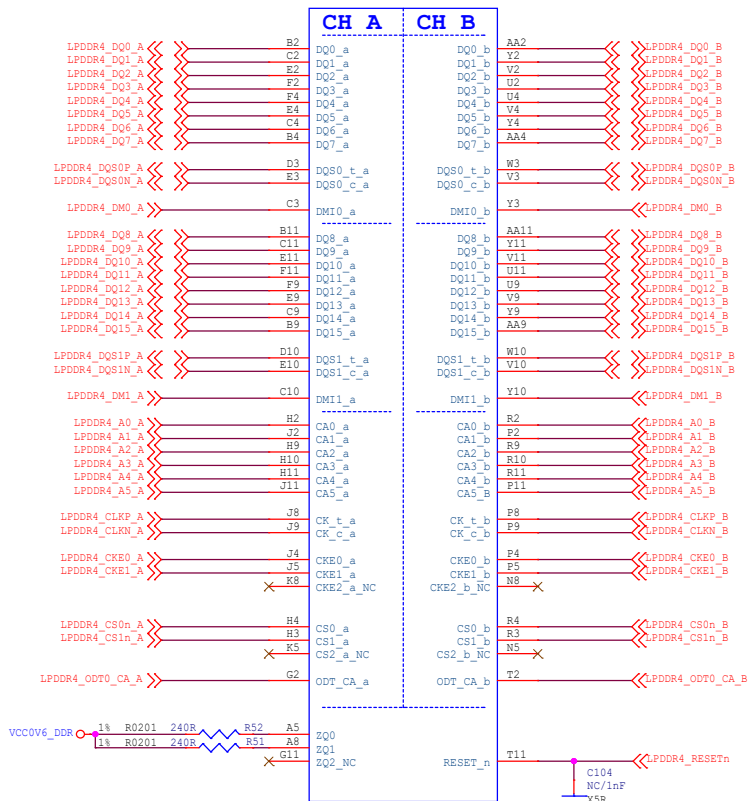


U1L
RK3566
BGA565_15R50x14R40x0R90



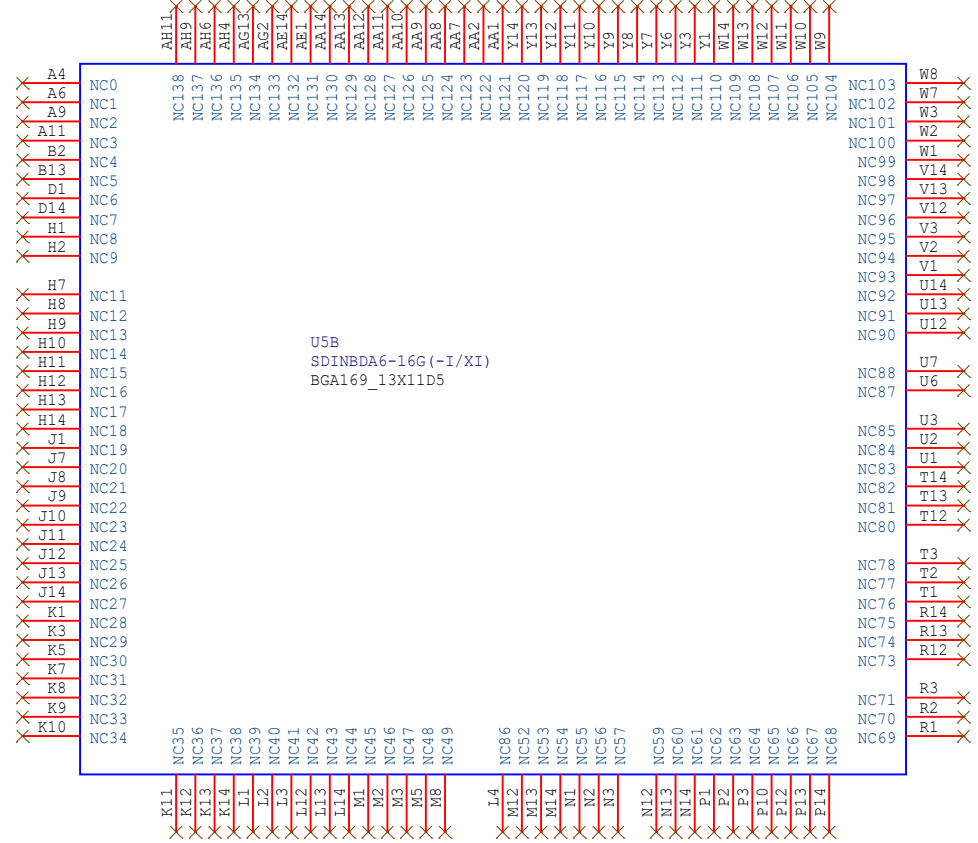
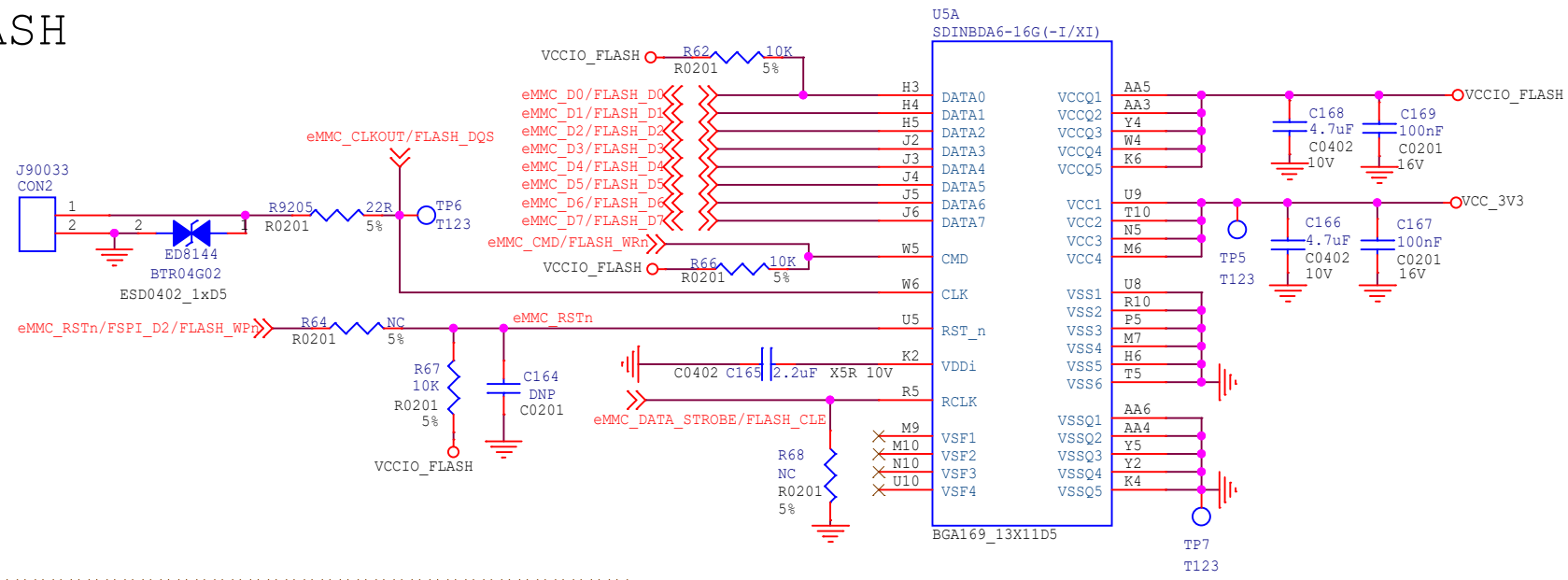
RK3566_H (VCCIO1 Domain)






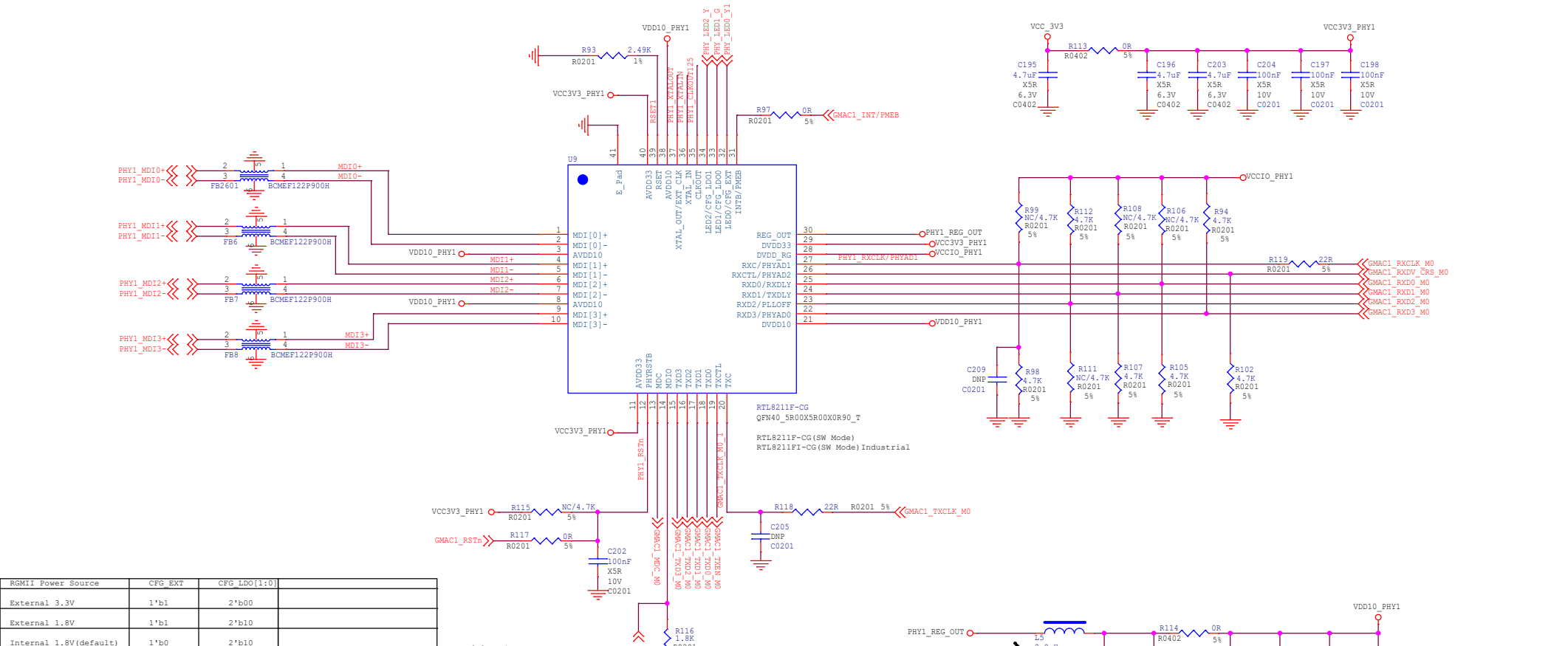
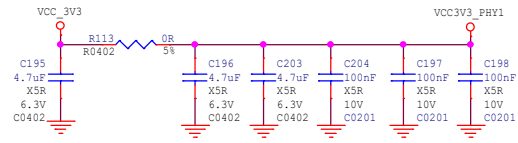
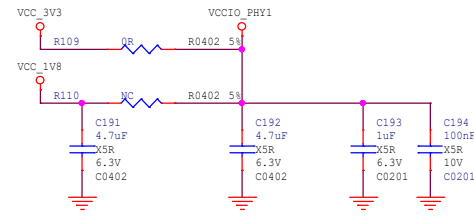
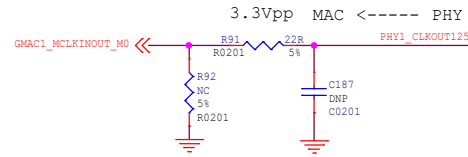
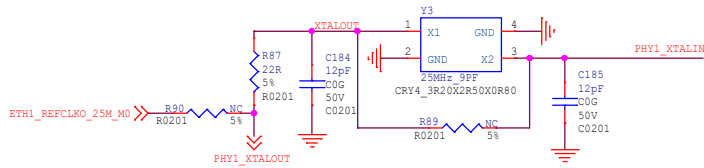
Size	Title:	ROCK3 Compute Module	REV
A3	Page Name:	LPDDR4X_1x32Bit_200P	V1.31A
Date:	Monday, October 10, 2022	Sheet	15 of 23

eMMC FLASH

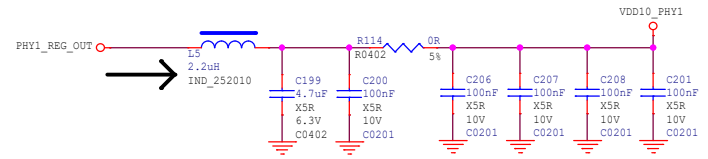
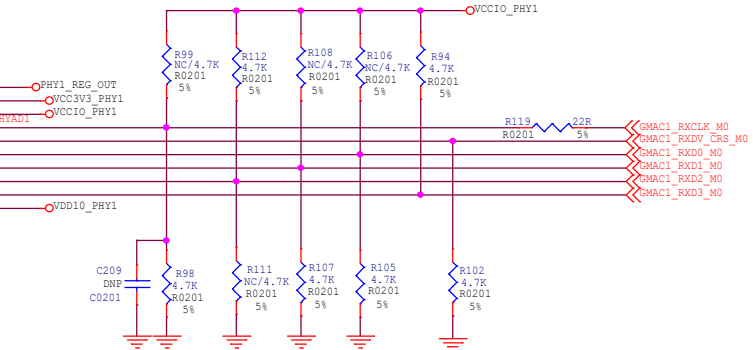
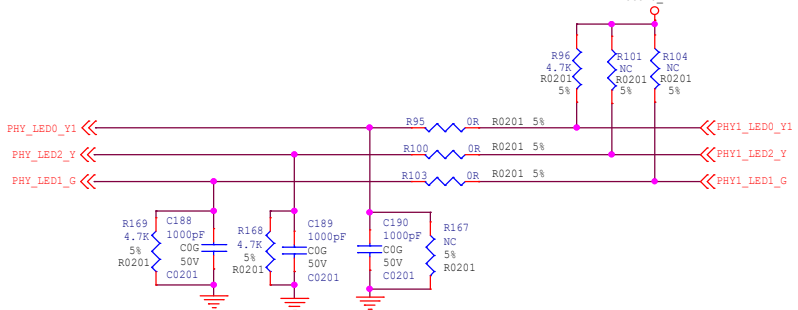




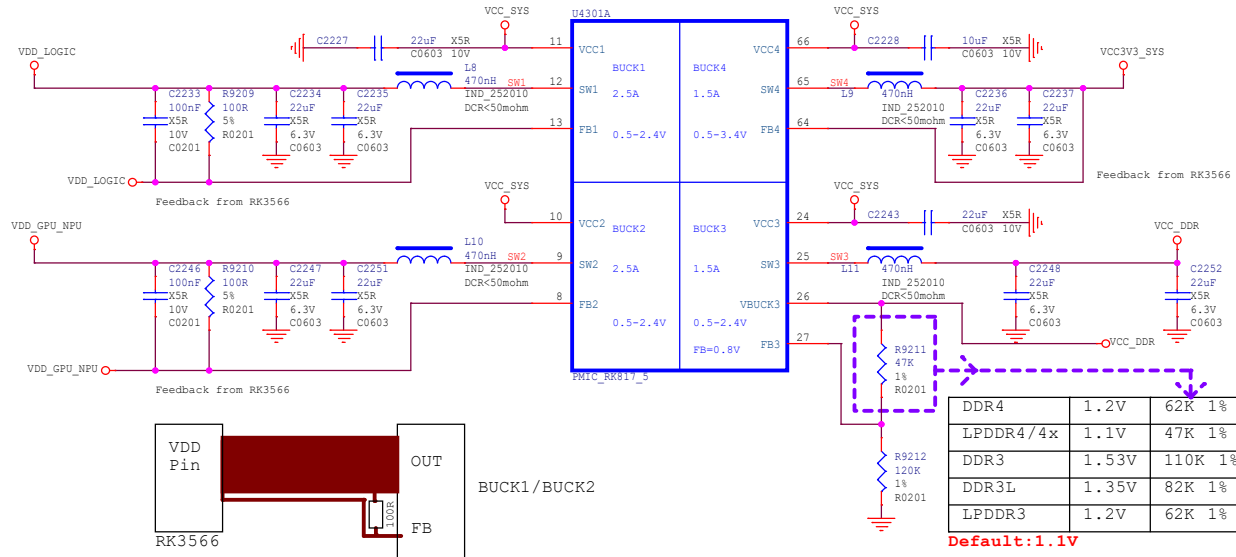
Size	Title: ROCK3 Compute Module	REV
A4	Page Name: Memory-eMMC	V1.31A
Date: Monday, October 10, 2022		Sheet 16 of 23



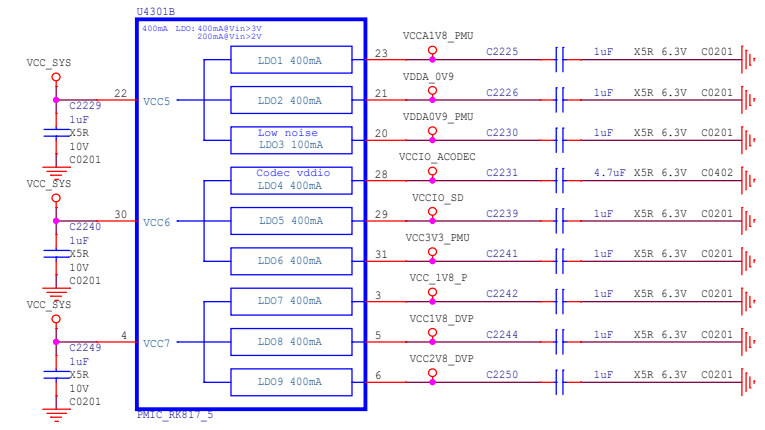
RGMI Power Source	CFG EXT	CFG LDO[1:0]
External 3.3V	1'b1	2'b00
External 1.8V	1'b1	2'b10
Internal 1.8V(default)	1'b0	2'b10



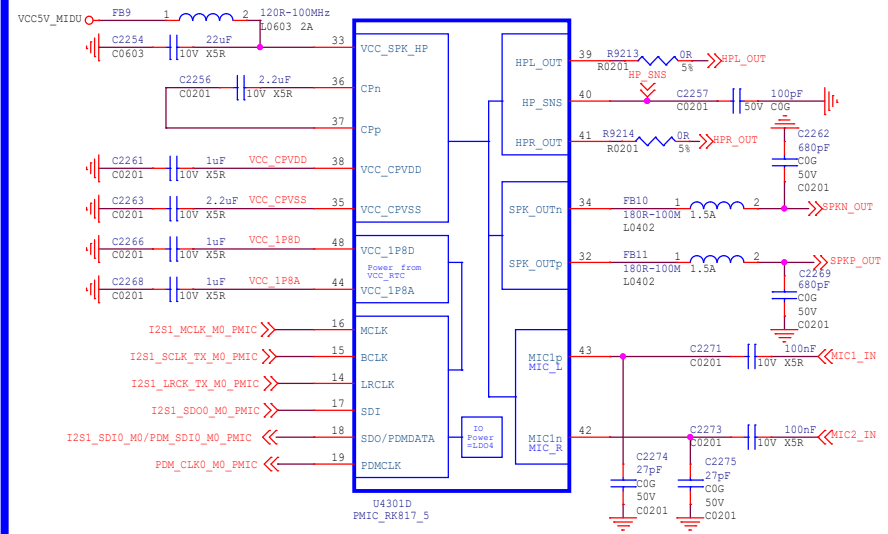
PMIC RK817 DCDC



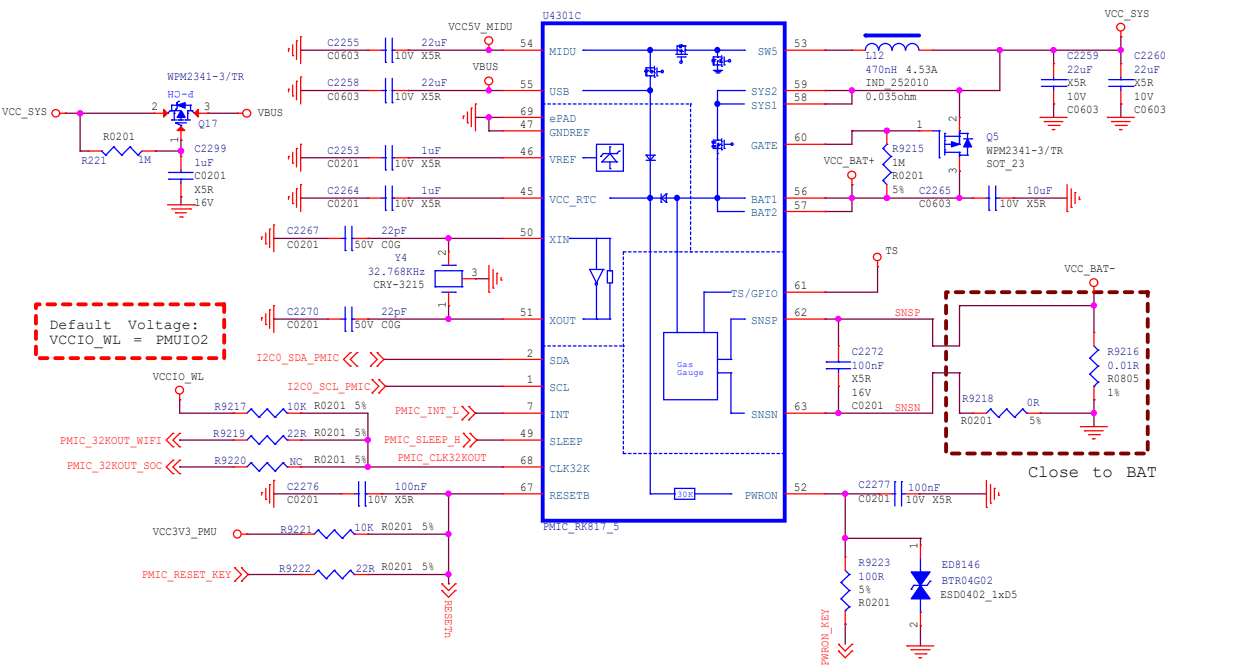
PMIC RK817 LDO



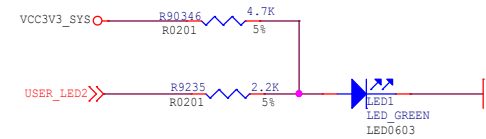
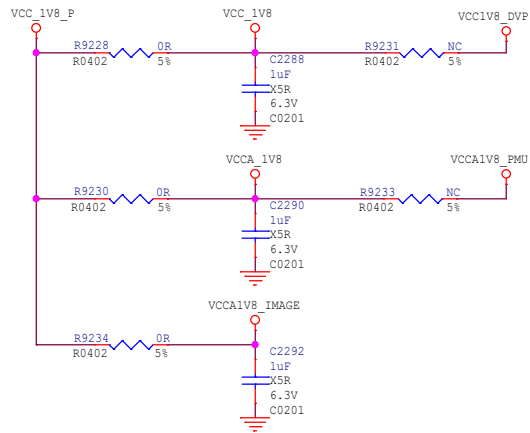
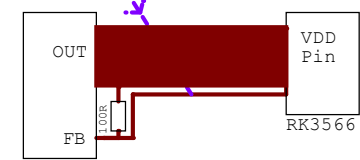
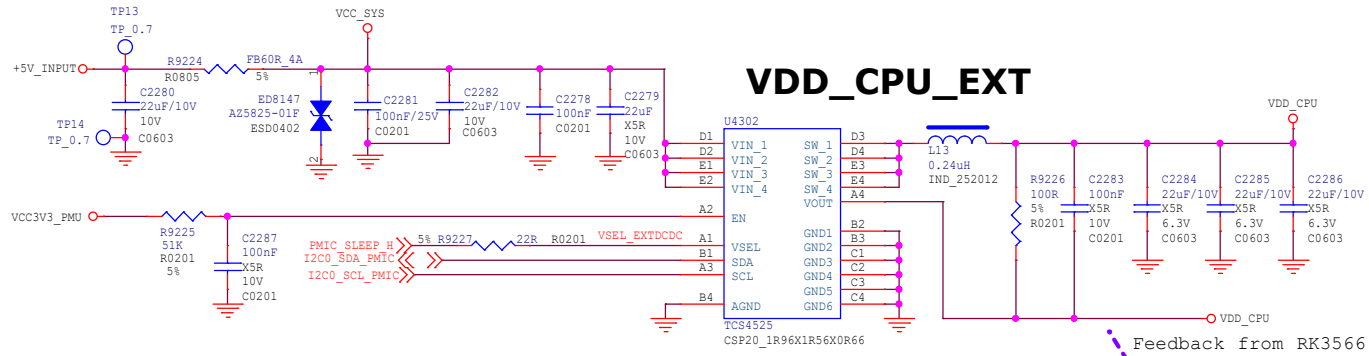
PMIC RK817 CODEC



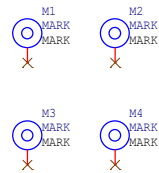
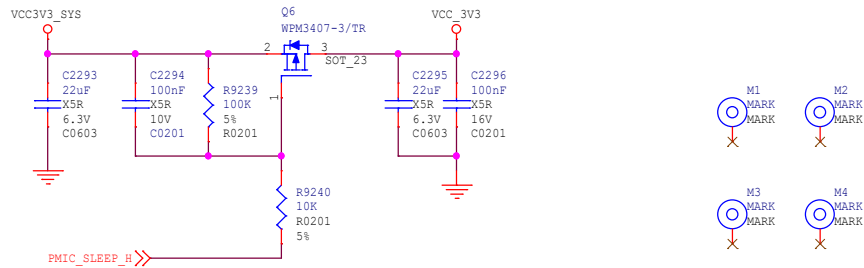
PMIC RK817 Management




Size	Title:	ROCK3 Compute Module	REV
A3	Page Name:	Power PMIC	V1.31A
Date:	Wednesday, November 23, 2022	Sheet	19 of 23



VCC_3V3 (Power OFF under SLEEP)

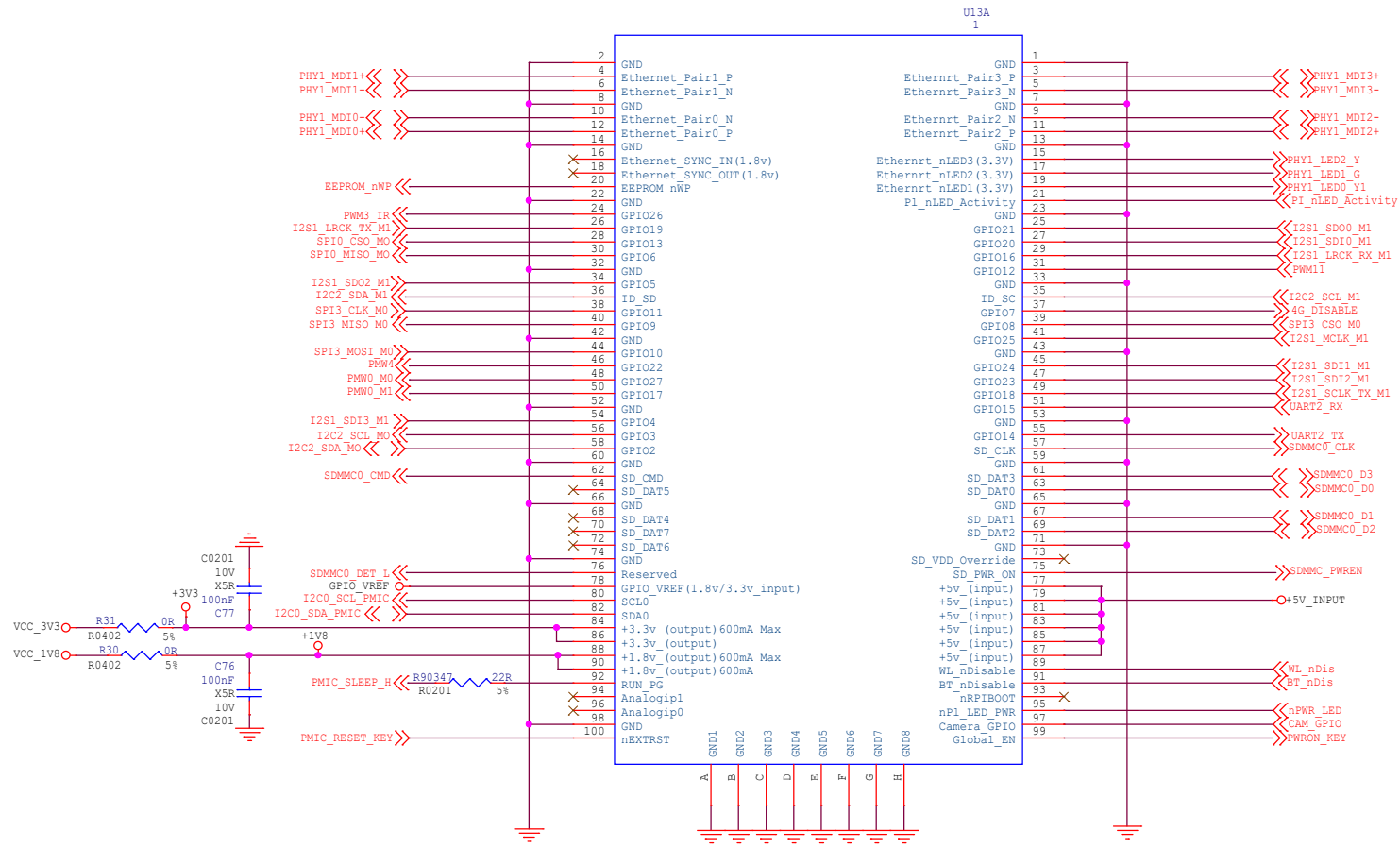


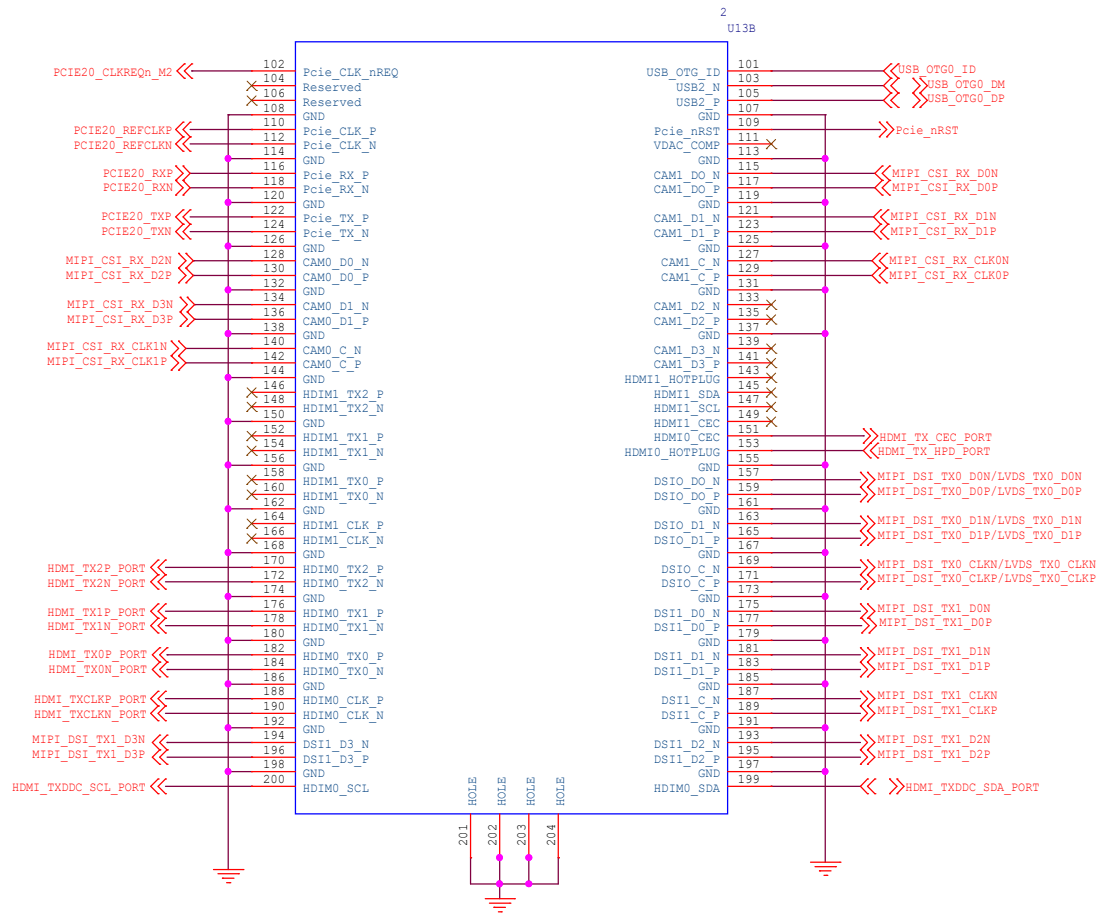


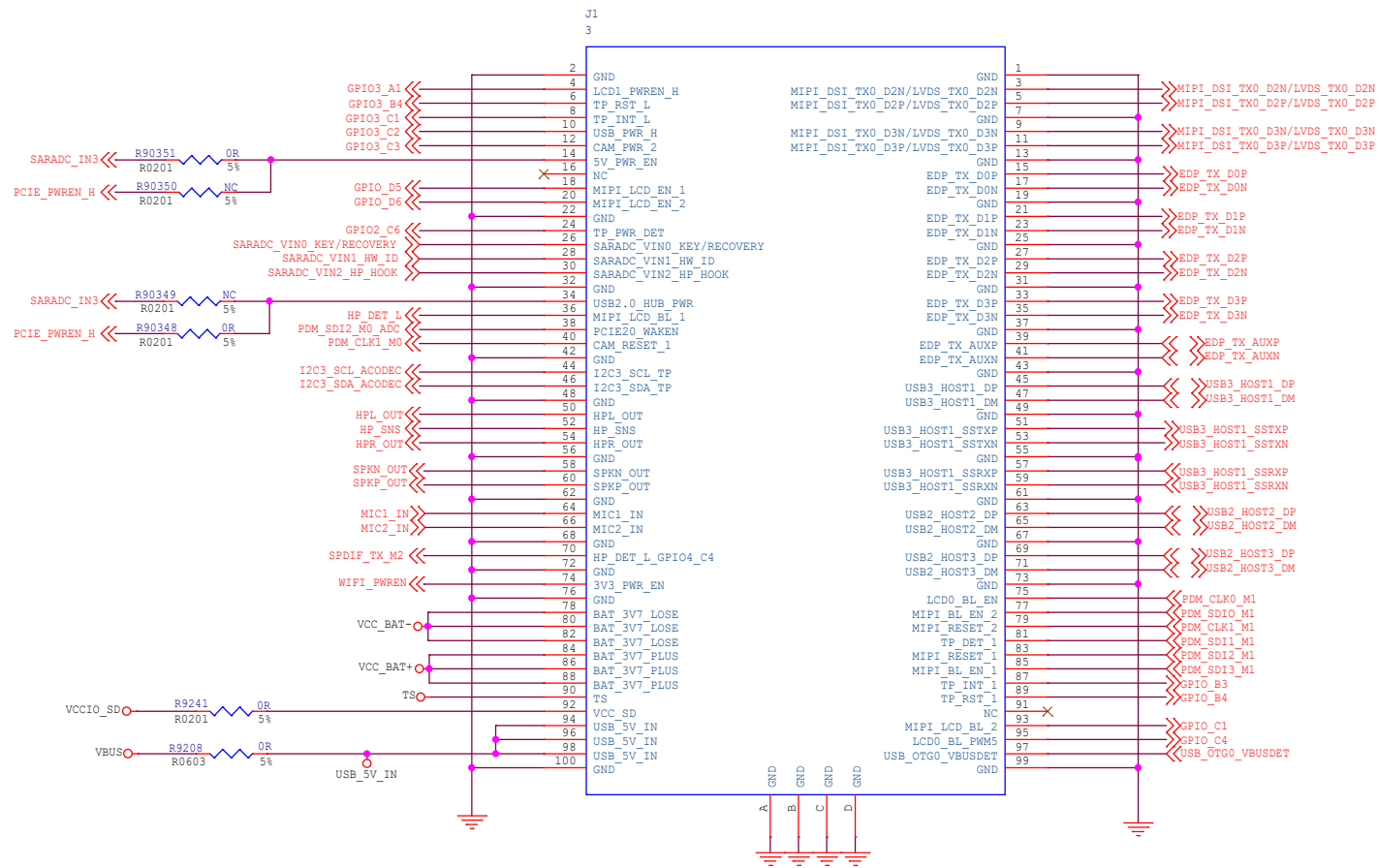
Size	Title: ROCK3 Compute Module	REV
B	Page Name: Power IN	V1.31A
Date: Monday, October 10, 2022		
Sheet 20 of 23		



Size	Title: ROCK3 Compute Module	REV
B	Page Name: GPIO+VCC_Connector	V1.31A
Date:	Wednesday, November 23, 2022	Sheet 21 of 23







radxa

Size	Title: ROCK3 Compute Module	REV
B	Page Name: IO_Connector	V1.31A
Date: Monday, October 10, 2022 Sheet 23 of 23		