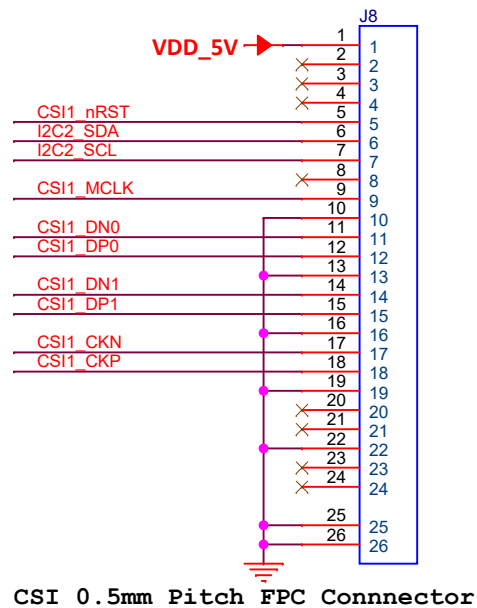
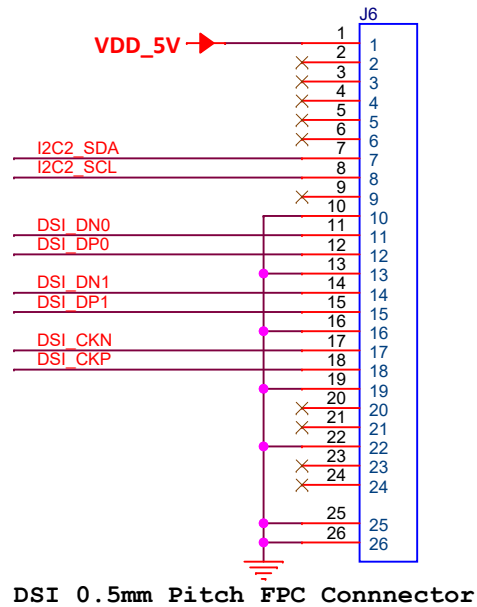
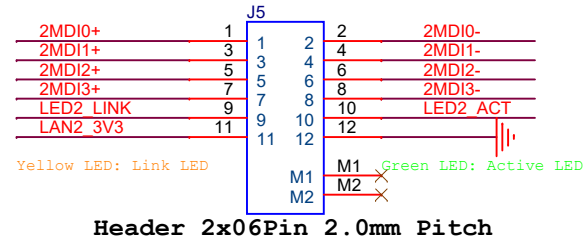
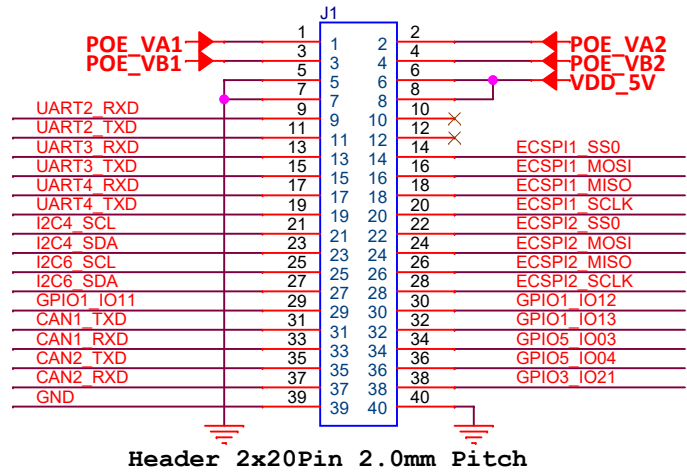
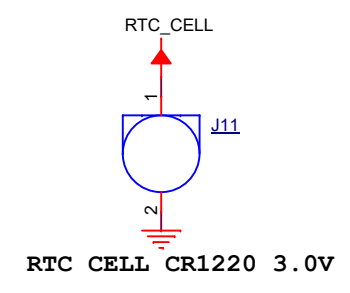
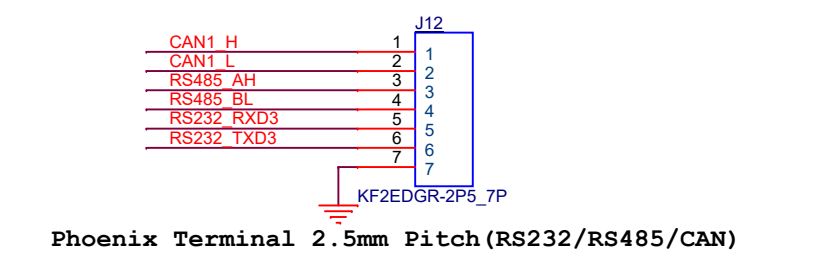
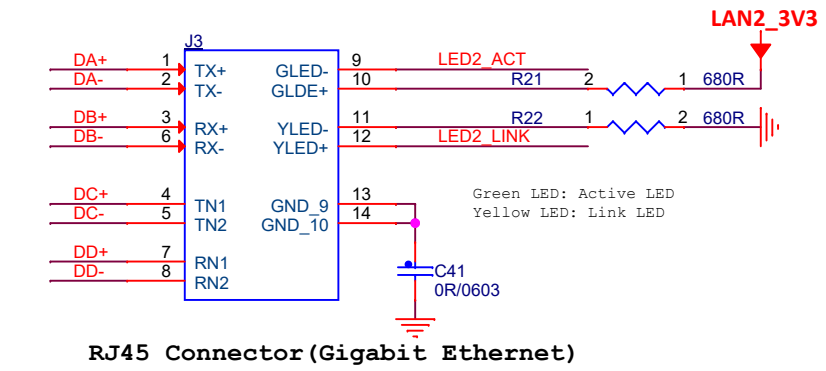
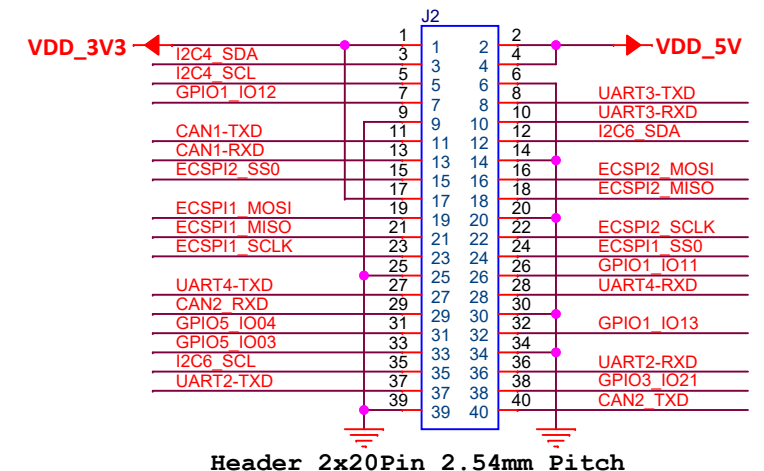
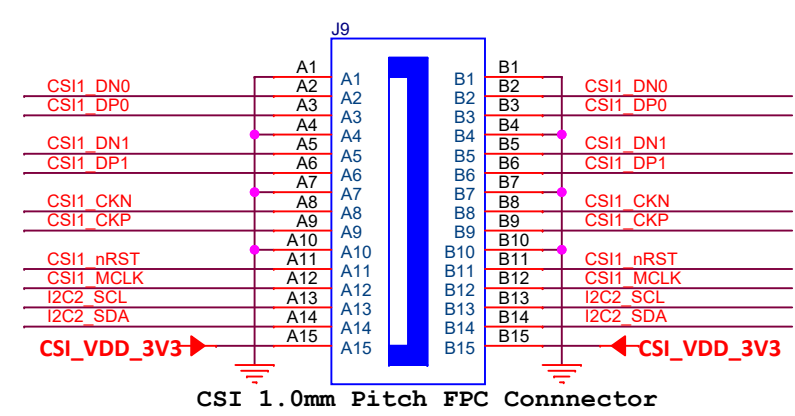
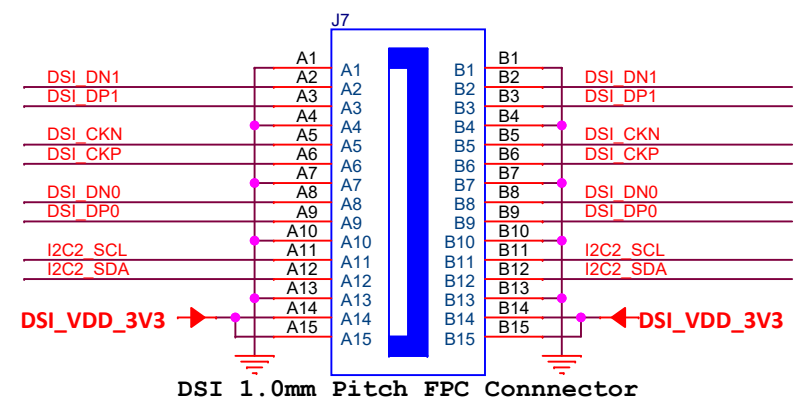
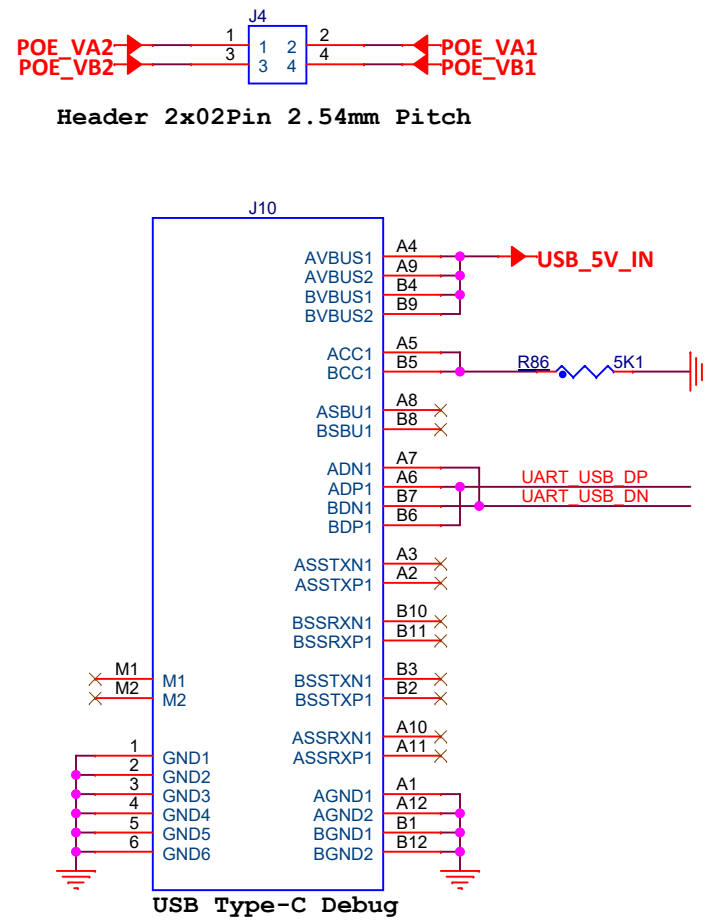


Connect to DEBIX Model A



External Interface of IO Board



Notice:
Do not use the I2C4_SCL/I2C4_SDA network for any other purpose,
I2C4_SCL/I2C4_SDA is used for eeprom and RTC communication.

DEBIX		
Title	DEBIX Model A IO Board Reduced Schematics www.debix.io	
Size A3	Document Number	Rev V02
Date:	Reduced Schematic	
	Sheet 1 of 1	